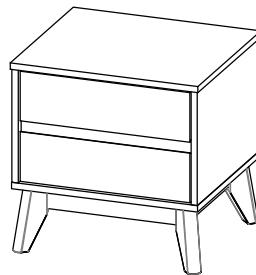


CODING
- 151044



ISO 9001:2015
Reg. No. 000435-1-MY-1-QMS

nuhoom.com

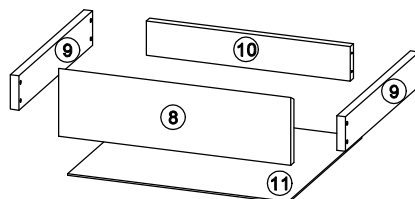
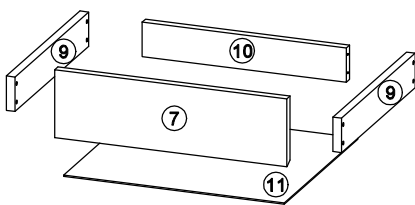
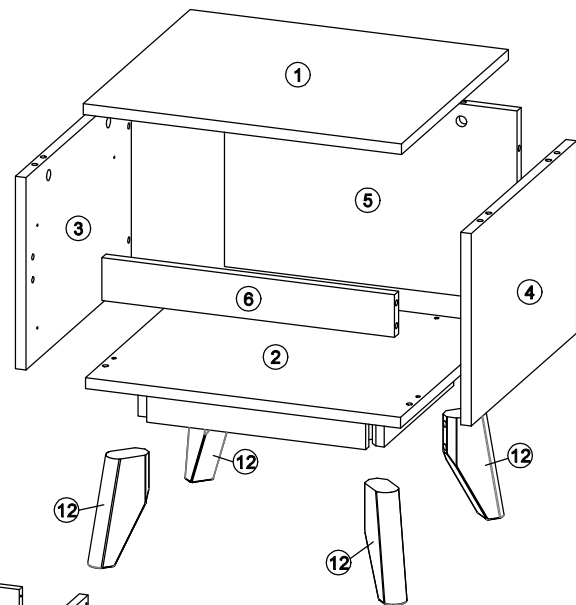
Read the instructions carefully. Remove all the wrappings, staples and straps from the carton. Refer to the hardware and furniture part list for guidance. Make sure that you have all the parts before you start assembling. Place all the wooden furniture parts on a clean, flat and soft surface, such as a carpet or rubbermat to prevent scratches.

CAUTION
KEEP ALL THE PARTS OUT OF CHILDREN'S REACH.

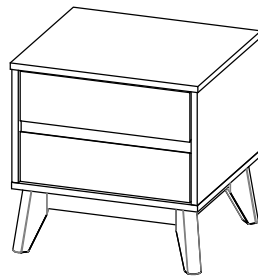
PART LIST		QTY
1	TOP PANEL	1 PC
2	BOTTOM PANEL	1 PC
3	SIDE PANEL (L)	1 PC
4	SIDE PANEL (R)	1 PC
5	BACK PANEL	1 PC
6	BONE PANEL	1 PC
7	DRAWER FRONT (UP)	1 PC
8	DRAWER FRONT (DOWN)	1 PC
9	DRAWER SIDE	4 PCS
10	DRAWER BACK	2 PCS
11	DRAWER BOTTOM	2 PCS
12	CABINET LEG	4 PCS

HARDWARE			
A	MINI FIX	A1 A2 A3	6 SETS
B	M8 X 30MM WOOD DOWEL		16 PCS
C	M6 X 50MM CSK CAP WOOD SCREW		6 PCS
D	ALLEN KEY M4		1 PC
E	M3.5 X 16MM C.B SCREW		28 PCS
F	M4 X 38MM C.B SCREW		16 PCS
G	JCBC Screw M6 x 70		8 PCS
H	SPRING WASHER M6		8 PCS
I	FLAT WASHER M6		8 PCS
J	ONE HOLE L BRACKET (2MM)		2 PCS
K	5/8 NAIL		12 PCS
L	14" DRAWER SLIDE	 	2 SETS

SELF-PREPARED TOOLS: Tools below are NOT included in package.	
SCREWDRIVER	HAMMER



CODING
- 151044

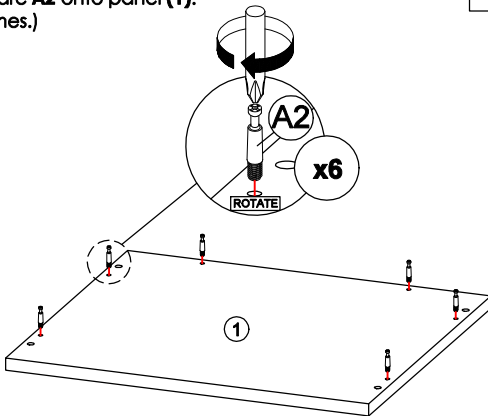


ISO 9001:2015
Reg. No. 000435-1-MY-1-Q043

nuhoom.com

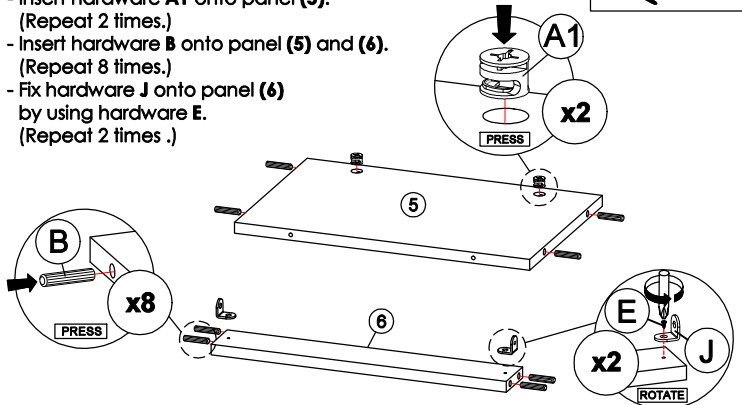
STEP 1

Insert hardware **A2** onto panel (1).
(Repeat 6 times.)



STEP 2

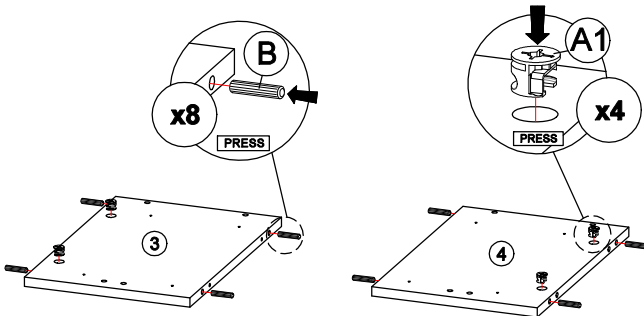
- Insert hardware **A1** onto panel (5).
(Repeat 2 times.)
- Insert hardware **B** onto panel (5) and (6).
(Repeat 8 times.)
- Fix hardware **J** onto panel (6)
by using hardware **E**.
(Repeat 2 times.)



* Ensure the arrows on hardware **A1** point towards mounting positions.

STEP 3

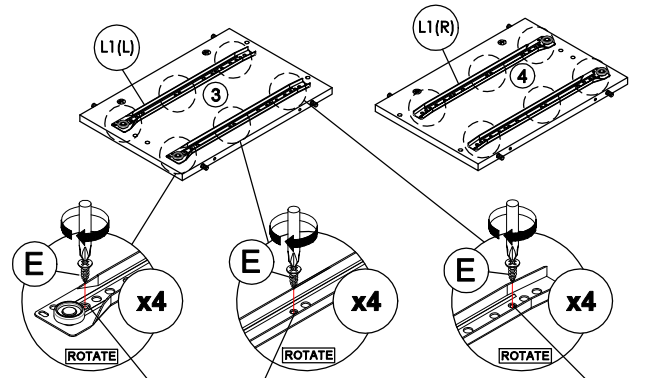
- Insert hardware **A1** onto panel (3) and (4).
(Repeat 4 times.)
- Insert hardware **B** onto panel (3) and (4).
(Repeat 8 times.)



* Ensure the arrows on hardware **A1** point towards mounting positions.

STEP 4

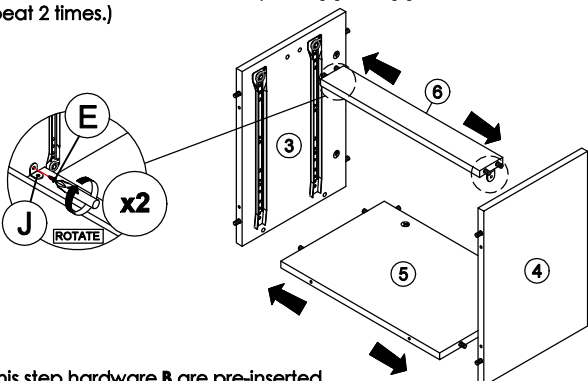
Fix hardware **L1 (L/R)** into panel (3) and (4) with hardware **E**.
(Repeat 3 times for each hardware.)



First hole from the edge. Small hole at the center. Third hole from the edge.

STEP 5

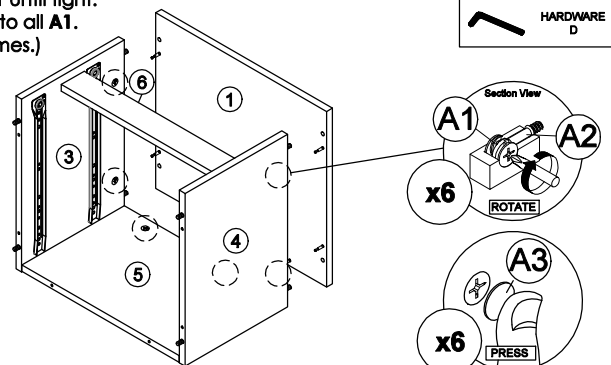
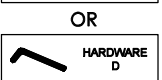
- Attach panel (3) and (4) to panel (5) and (6).
(Repeat 2 times.)
- Assemble hardware **J** to the side panel (3) and (4) with hardware **E**.
(Repeat 2 times.)



* In this step hardware **B** are pre-inserted.

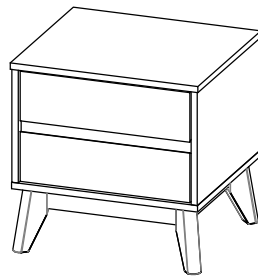
STEP 6

- Attach panel (1) to panel (3), (4) and (5).
- Insert all hardware **A2** into **A1**.
- Rotate all **A1** until tight.
- Apply **A3** onto all **A1**.
(Repeat 6 times.)



* In this step hardware **A1**, **A2** and **B** are pre-inserted.

CODING
- 151044

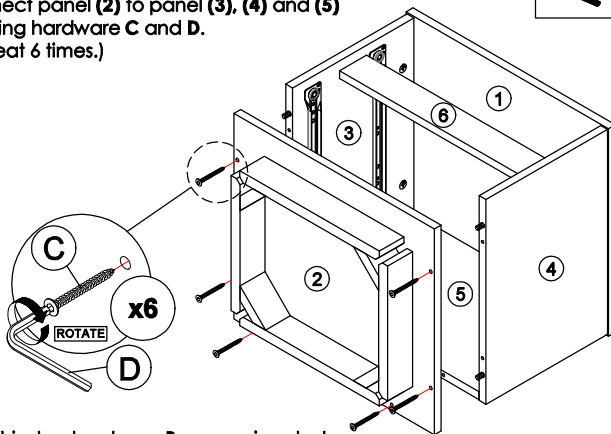


ISO 9001:2015
Reg. No. 070435-1-MY-1-QMS

nuhoom.com

STEP 7

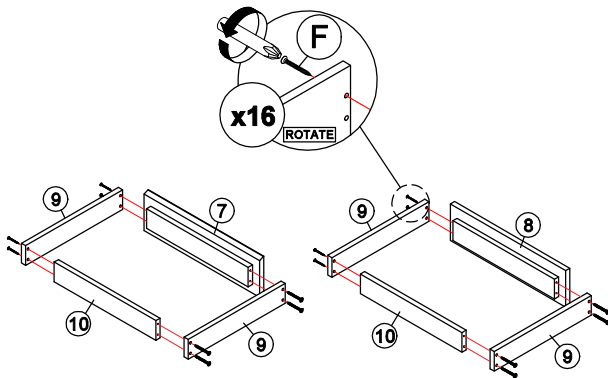
Connect panel (2) to panel (3), (4) and (5) by using hardware C and D. (Repeat 6 times.)



* In this step hardware B are pre-inserted.

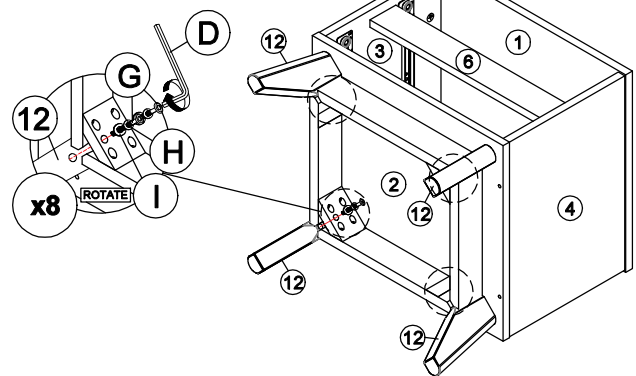
STEP 9

Assemble panel (9) to panel (7), (8) and (10) by using hardware F. (Repeat 16 times.)



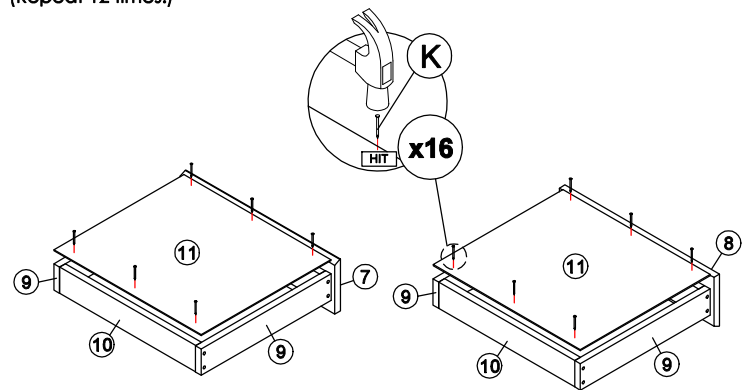
STEP 8

Assemble part 12 into panel (2) by using hardware G, H, I and D. (Repeat 2 times for each Leg.)



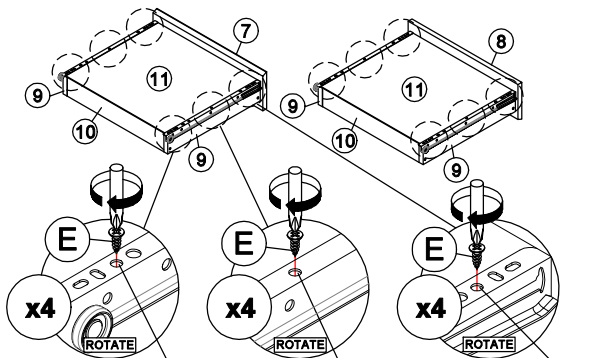
STEP 10

Assemble panel (11) to entire body with hardware K. (Repeat 12 times.)



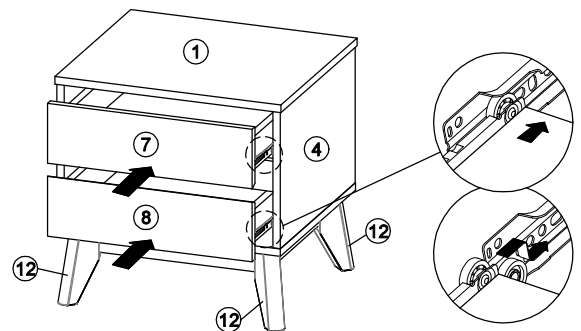
STEP 11

Assemble hardware L2 (L/R) to panel (11) by using hardware E. (Repeat 3 times for each hardware.)



STEP 12

Put all the drawer in place along the drawer slides.



*Hardware L2 (L/R) shall be leaning against panel (7) and (8) when assembling.