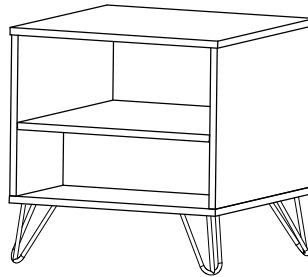


CODING
- 151042



ISO 9001:2015
Reg. No. 000435-1-MY-1-QMS

nuhoom.com

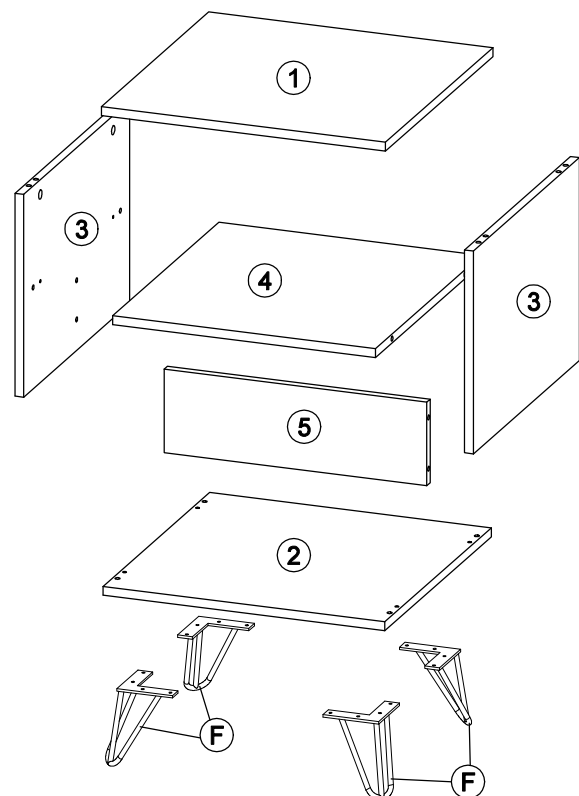
Read the instructions carefully. Remove all the wrappings, staples and straps from the carton. Refer to the hardware and furniture part list for guidance. Make sure that you have all the parts before you start assembling. Place all the wooden furniture parts on a clean, flat and soft surface, such as a carpet or rubbermat to prevent scratches.

CAUTION
KEEP ALL THE PARTS OUT OF CHILDREN'S REACH.

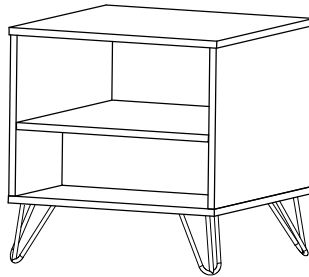
PART LIST		QTY
1	TOP PANEL	1 PC
2	BOTTOM PANEL	1 PC
3	SIDE PANEL (L) & (R)	2 PCS
4	MIDDLE PANEL	1 PC
5	CENTER PANEL	1 PC

HARDWARE			
A	MINI FIX	A1 A2 A3	8 PCS
B	M8 X 30MM WOOD DOWEL		16 PCS
C	M6 X 50MM CSK CAP WOOD SCREW		4 PCS
D	ALLEN KEY M4		1 PC
E	M3.5 X 16MM C.B SCREW		16 PCS
F	METAL LEG 90 x 90 x 8 x H145MM		4 PCS

SELF-PREPARED TOOLS: Tools below are NOT included in package.	
SCREWDRIVER	HAMMER



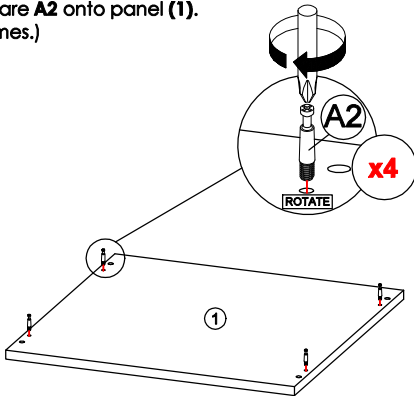
CODING
- 151042



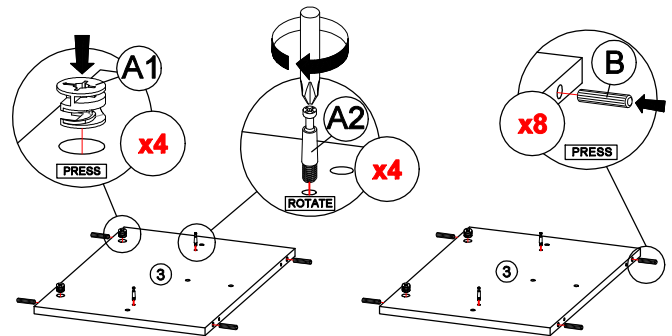
ISO 9001:2015
Reg. No. 000435-1-MY-1-QMS

nuhoom.com

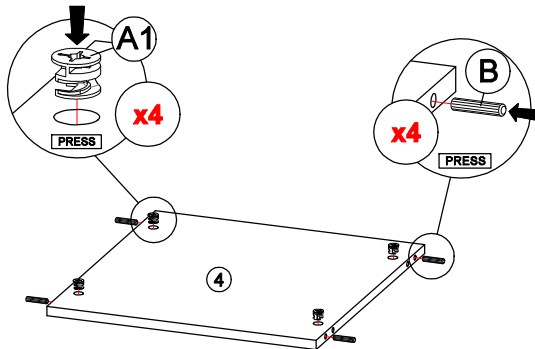
STEP 1
Insert hardware **A2** onto panel **(1)**.
(Repeat 4 times.)



STEP 2
- Insert hardware **A1** onto panel **(3)**. (Repeat 4 times.)
- Insert hardware **A2** onto panel **(3)**. (Repeat 4 times.)
- Insert hardware **B** onto panel **(3)**. (Repeat 8 times.)

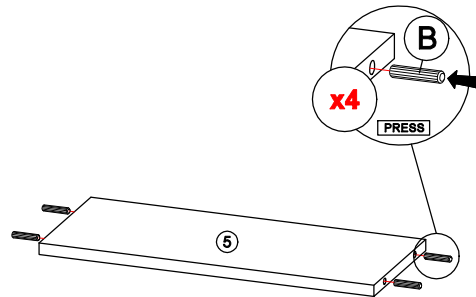


STEP 3
- Insert hardware **A1** onto panel **(4)**. (Repeat 4 times.)
- Insert hardware **B** onto panel **(4)**. (Repeat 4 times.)



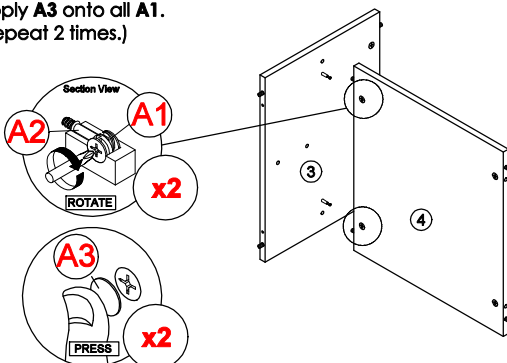
* Ensure the arrows on hardware **A1** point towards mounting positions.

STEP 4
Insert hardware **B** onto panel **(5)**. (Repeat 4 times.)



* Ensure the arrows on hardware **A1** point towards mounting positions.

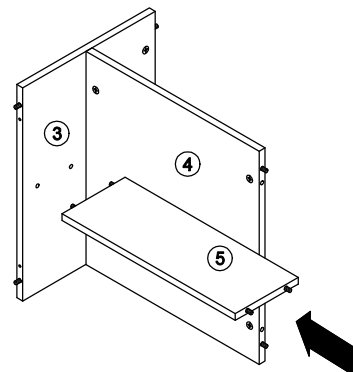
STEP 5
- Connect **A2** from panel **(3)** into **A1** in panel **(4)**.
- Rotate all **A1** until tight.
- Apply **A3** onto all **A1**.
(Repeat 2 times.)



OR



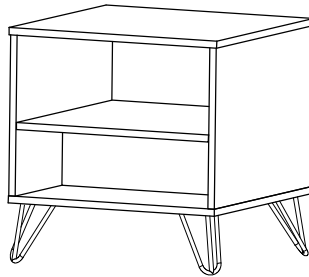
STEP 6
Connect panel **(5)** into panel **(3)**.
(Repeat 1 times.)



* In this step hardware **A1**, **A2** and **B** are pre-inserted.

* In this step hardware **B** are pre-inserted.

CODING
- 151042

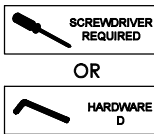


ISO 9001:2015
Reg. No. 000435-1-MY-1-QMS

nuhoom.com

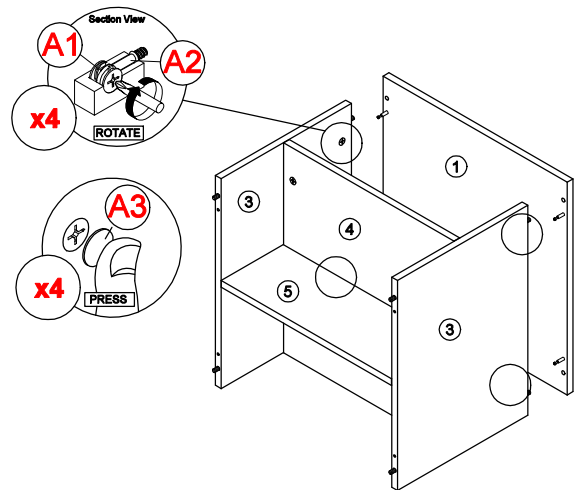
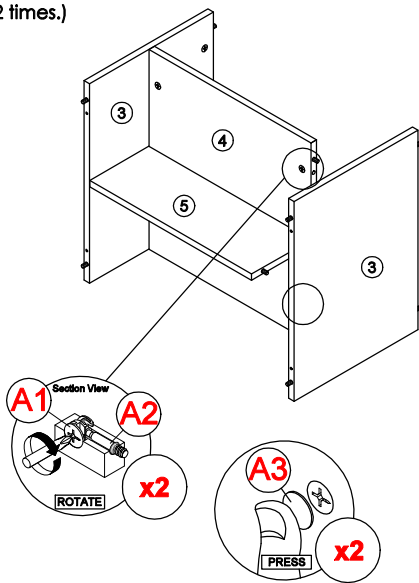
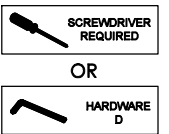
STEP 7

- Connect **A2** from panel **(3)** into **A1** in panel **(4)**.
- Rotate all **A1** until tight.
- Apply **A3** onto all **A1**.
(Repeat 2 times.)



STEP 8

- Connect **A2** from panel **(1)** into **A1** in panel **(3)**.
- Rotate all **A1** until tight.
- Apply **A3** onto all **A1**.
(Repeat 4 times.)



* In this step hardware **A1**, **A2** and **B** are pre-inserted.

STEP 9

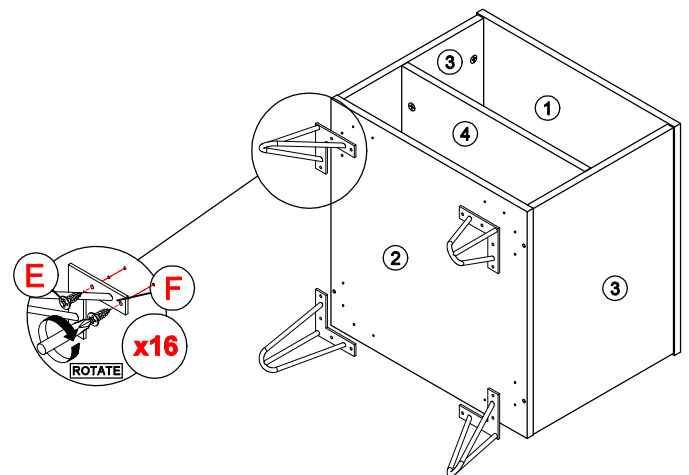
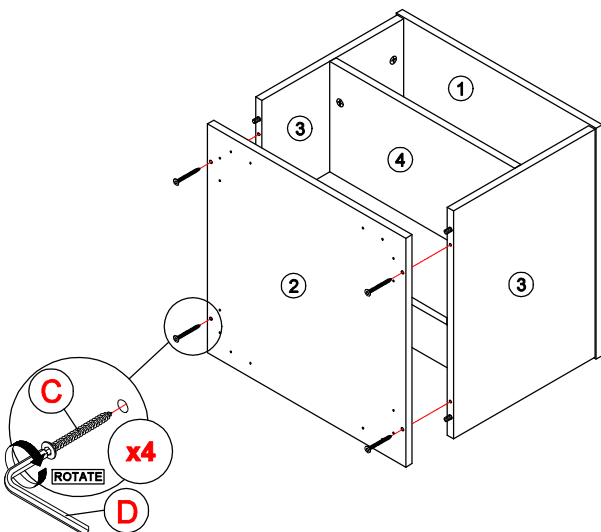
- Connect panel **(2)** to panel **(3)** by using hardware **C** and **D**.
(Repeat 4 times.)



* In this step hardware **A1**, **A2** and **B** are pre-inserted.

STEP 10

- Assemble hardware **F** onto panel **(2)** by using hardware **E**.
(Repeat 16 times.)



* In this step hardware **B** are pre-inserted.