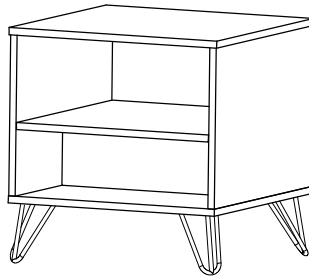


CODING
- 151041



ISO 9001:2015
Reg. No. 000435-1-MY-1-QMS

nuhoom.com

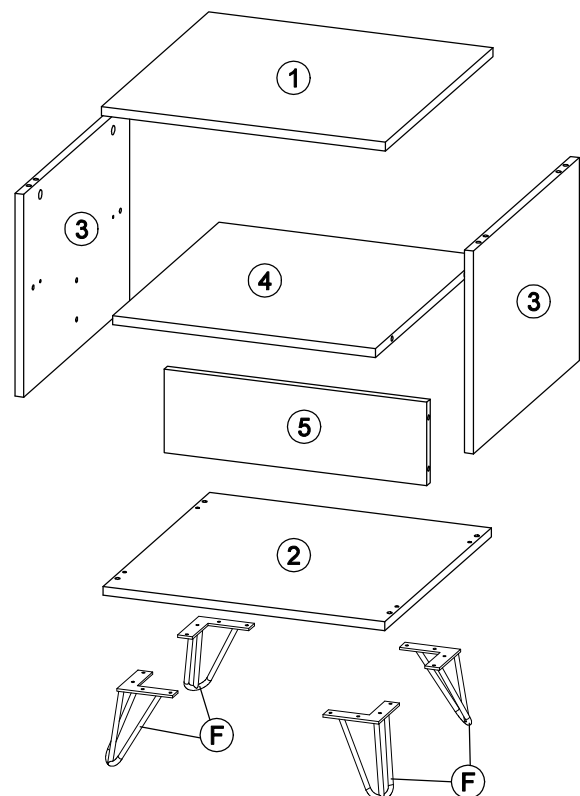
Read the instructions carefully. Remove all the wrappings , staples and straps from the carton. Refer to the hardware and furniture part list for guidance. Make sure that you have all the parts before you start assembling. Place all the wooden furniture parts on a clean, flat and soft surface, such as a carpet or rubbermat to prevent scratches.

CAUTION
KEEP ALL THE PARTS OUT OF CHILDREN'S REACH.

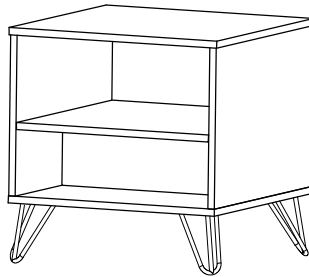
| PART LIST | | QTY |
|-----------|----------------------|-------|
| 1 | TOP PANEL | 1 PC |
| 2 | BOTTOM PANEL | 1 PC |
| 3 | SIDE PANEL (L) & (R) | 2 PCS |
| 4 | MIDDLE PANEL | 1 PC |
| 5 | CENTER PANEL | 1 PC |

| HARDWARE | | | |
|----------|--------------------------------|------------|--------|
| A | MINI FIX | A1 A2 A3 | 8 PCS |
| B | M8 X 30MM WOOD DOWEL | | 16 PCS |
| C | M6 X 50MM CSK CAP WOOD SCREW | | 4 PCS |
| D | ALLEN KEY M4 | | 1 PC |
| E | M3.5 X 16MM C.B SCREW | | 16 PCS |
| F | METAL LEG 90 x 90 x 8 x H145MM | | 4 PCS |

| SELF-PREPARED TOOLS: Tools below are NOT included in package. | |
|---|--------|
| SCREWDRIVER | HAMMER |



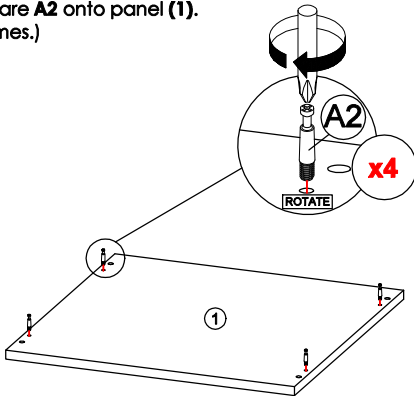
CODING
- 151041



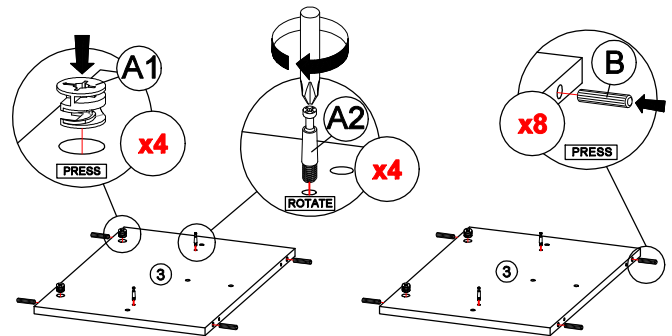
ISO 9001:2015
Reg. No. 000435-1-MY-1-QMS

nuhoom.com

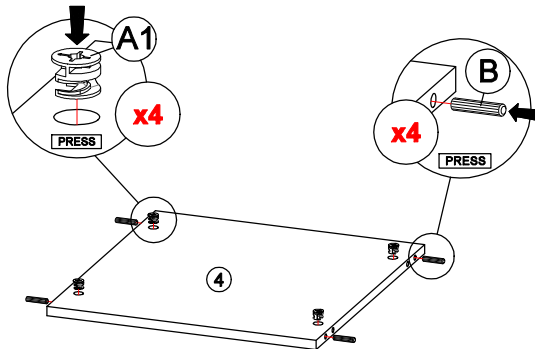
STEP 1
Insert hardware **A2** onto panel **(1)**.
(Repeat 4 times.)



STEP 2
- Insert hardware **A1** onto panel **(3)**. (Repeat 4 times.)
- Insert hardware **A2** onto panel **(3)**. (Repeat 4 times.)
- Insert hardware **B** onto panel **(3)**. (Repeat 8 times.)

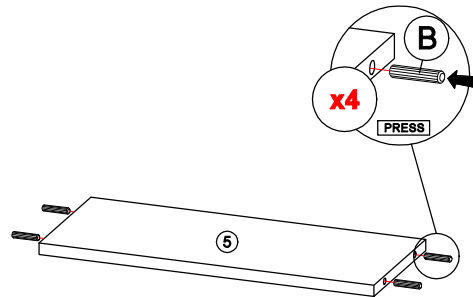


STEP 3
- Insert hardware **A1** onto panel **(4)**. (Repeat 4 times.)
- Insert hardware **B** onto panel **(4)**. (Repeat 4 times.)



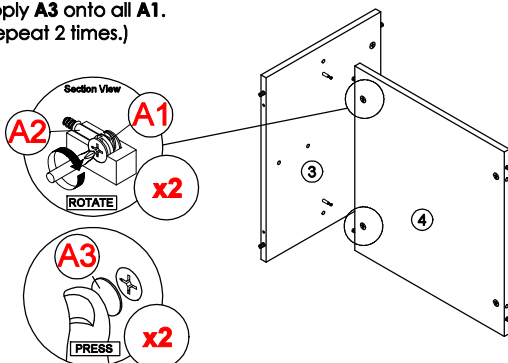
* Ensure the arrows on hardware **A1** point towards mounting positions.

STEP 4
Insert hardware **B** onto panel **(5)**. (Repeat 4 times.)



* Ensure the arrows on hardware **A1** point towards mounting positions.

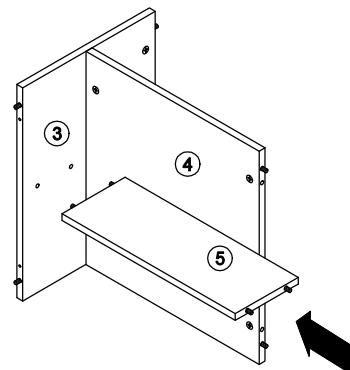
STEP 5
- Connect **A2** from panel **(3)** into **A1** in panel **(4)**.
- Rotate all **A1** until tight.
- Apply **A3** onto all **A1**.
(Repeat 2 times.)



OR



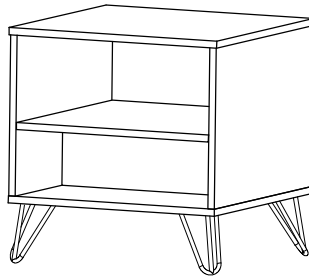
STEP 6
Connect panel **(5)** into panel **(3)**.
(Repeat 1 times.)



* In this step hardware **A1**, **A2** and **B** are pre-inserted.

* In this step hardware **B** are pre-inserted.

CODING
- 151041

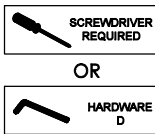


ISO 9001:2015
Reg. No. 000435-1-MY-1-QMS

nuhoom.com

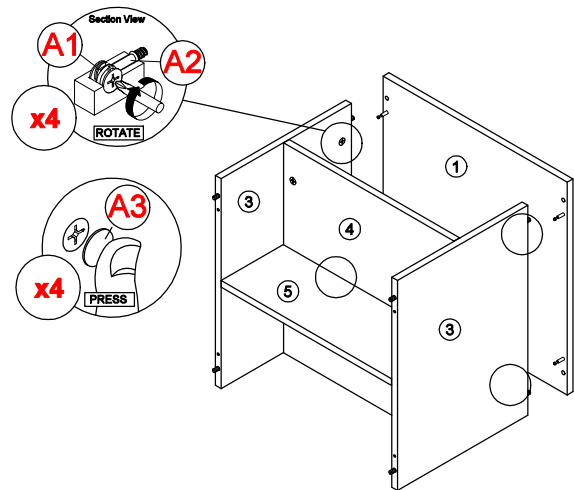
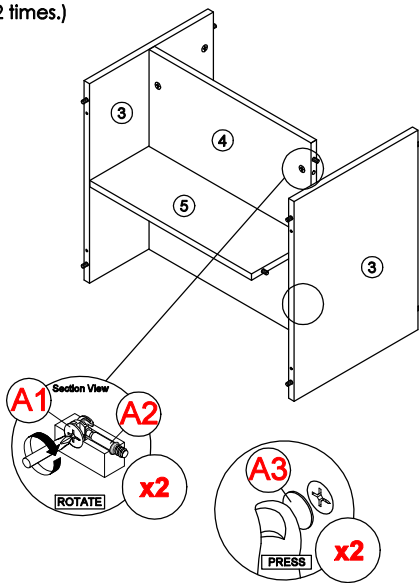
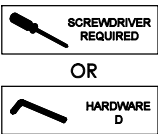
STEP 7

- Connect **A2** from panel **(3)** into **A1** in panel **(4)**.
- Rotate all **A1** until tight.
- Apply **A3** onto all **A1**.
(Repeat 2 times.)



STEP 8

- Connect **A2** from panel **(1)** into **A1** in panel **(3)**.
- Rotate all **A1** until tight.
- Apply **A3** onto all **A1**.
(Repeat 4 times.)



* In this step hardware **A1**, **A2** and **B** are pre-inserted.

STEP 9

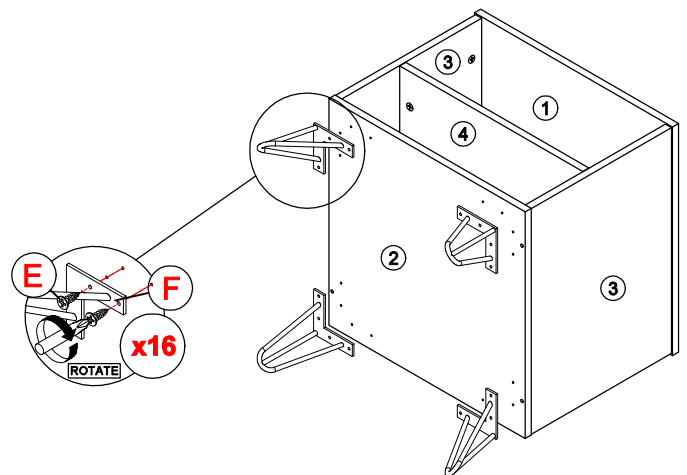
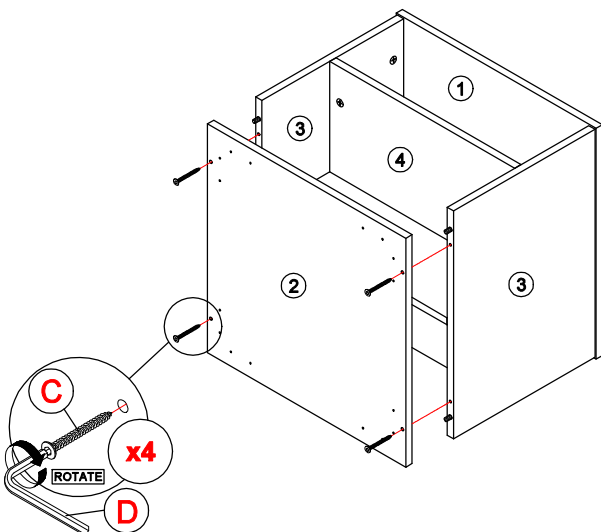
- Connect panel **(2)** to panel **(3)** by using hardware **C** and **D**.
(Repeat 4 times.)



* In this step hardware **A1**, **A2** and **B** are pre-inserted.

STEP 10

- Assemble hardware **F** onto panel **(2)** by using hardware **E**.
(Repeat 16 times.)



* In this step hardware **B** are pre-inserted.