

## CODING

- 151021



ISO 9001:2015  
Reg. No. 000435-1-MY-1-QMS

[nesthouz.com](http://nesthouz.com)

Read the instructions carefully. Remove all the wrappings, staples and straps from the carton. Refer to the hardware and furniture part list for guidance. Make sure that you have all the parts before you start assembling. Place all the wooden furniture parts on a clean, flat and soft surface, such as a carpet or rubbermat to prevent scratches.

## CAUTION

KEEP ALL THE PARTS OUT OF CHILDREN'S REACH.

ITEM	PHOTO	HAREWARE NAME	QTY
(A)		CSK M4 x 25mm	16 PCS
(B)		CSK M3.5 x 12mm	12 PCS
(C)		WOOD DOWEL M8 x 30mm	20 PCS
(D)		WOOD DOWEL M6 x 30mm	8 PCS
(E)		HANDLE SCREW M4 X 32MM	1 PC
(F)		HANDLE	1 PC

**CODING**  
- 151021



ISO 9001:2015  
Reg. No. 000435-1-MY-1-QMS

**nesthouz.com**

ITEM	PHOTO	PARTS NAME	QTY
①		TOP PANEL	1 PC
②		FRONT PANEL	1 PC
③		SIDE PANEL	2 PCS
④		CENTER PANEL	1 PC
⑤		BACK PANEL	1 PC
⑥		BOTTOM SUPPORT	2 PCS
⑦		BACK COVER	1 PC

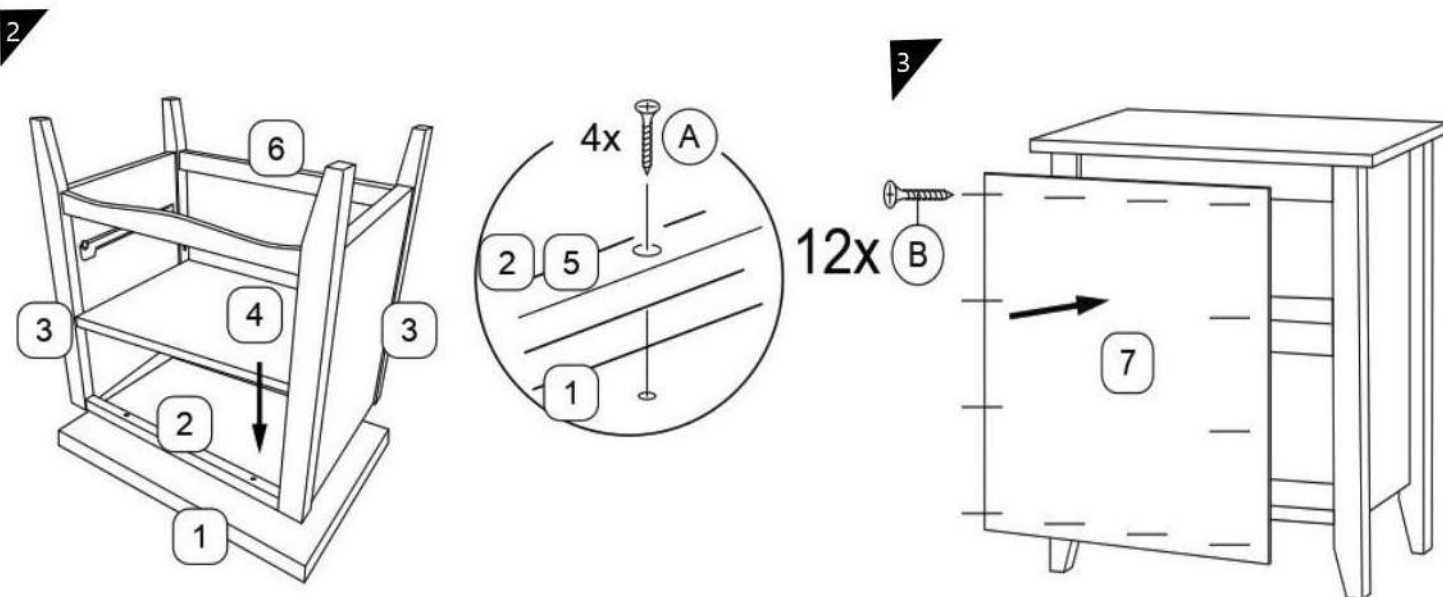
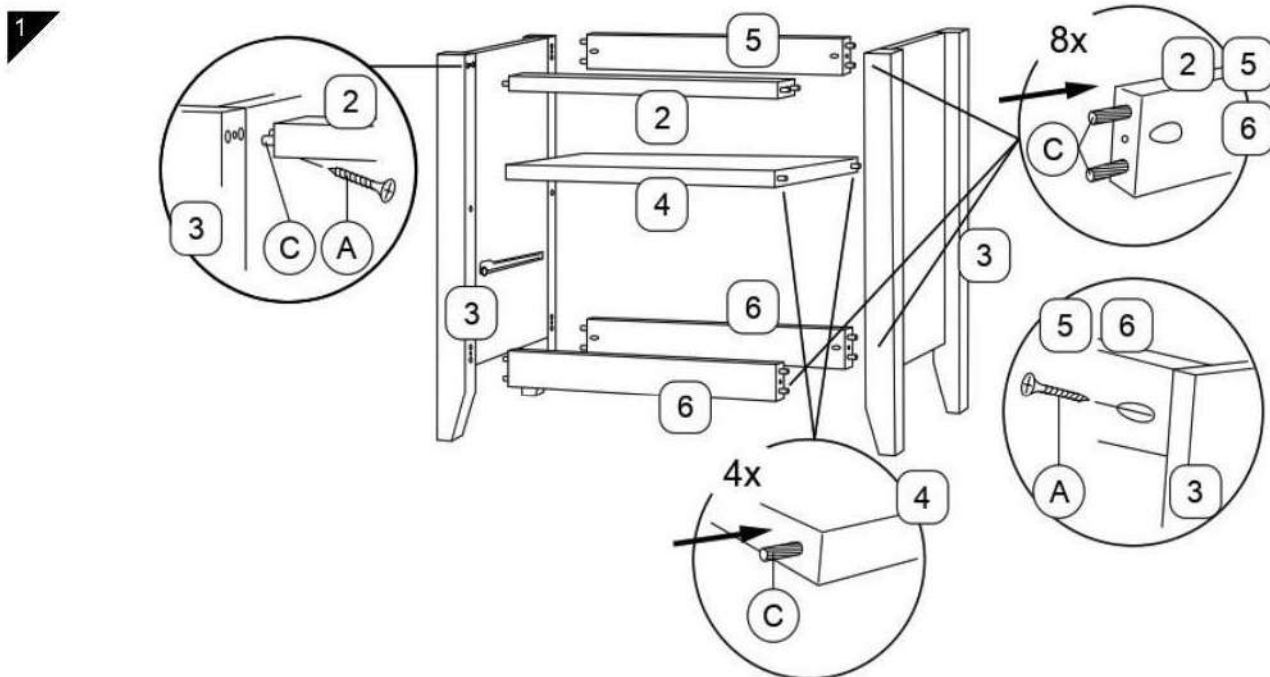
ITEM	PHOTO	PARTS NAME	QTY
⑧		FRONT PANEL	1 PC
⑨		SIDE PANEL	2 PCS
⑩		BACK PANEL	1 PC
⑪		BOTTOM PANEL	1 PC

CODING  
- 151021



ISO 9001:2015  
Reg. No. 000435-1-MY-1-QMS

nesthouz.com



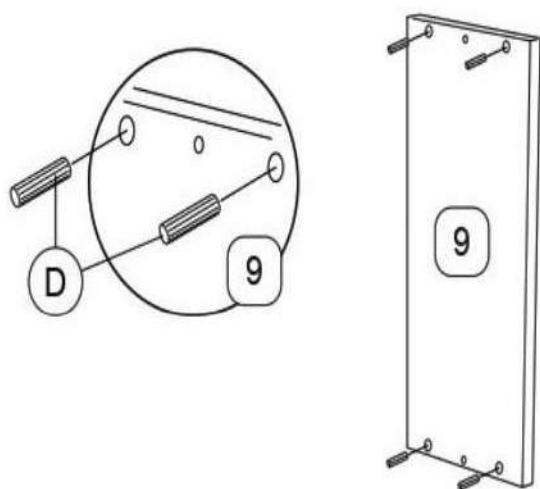
**CODING**  
- 151021



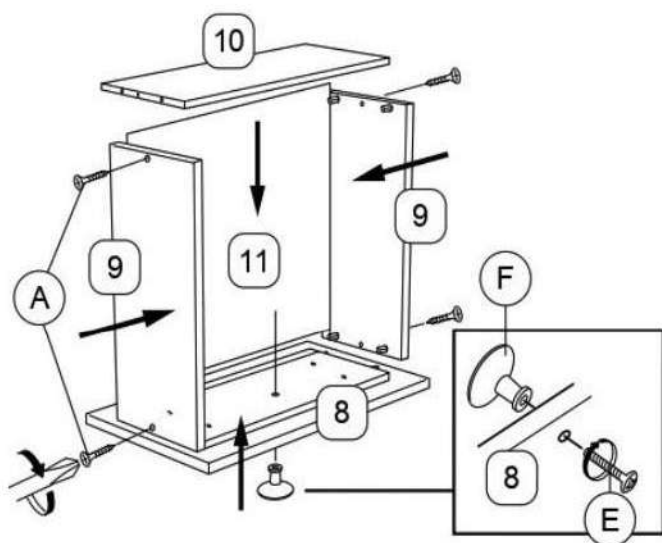
ISO 9001:2015  
Reg. No. 000435-1-MY-1-QMS

nesthouz.com

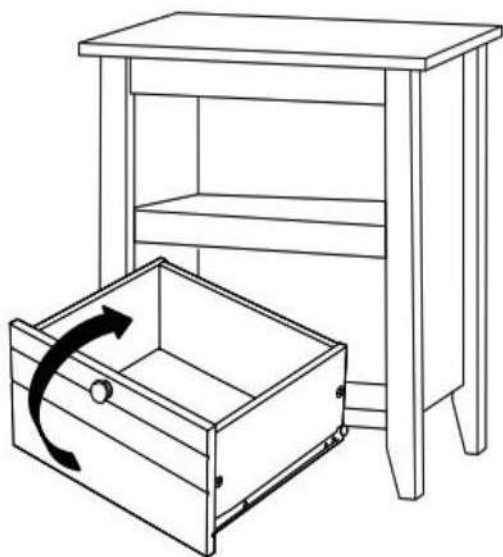
4



5



6



7

