

CODING

- 149001









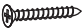

ISO 9001:2015
Reg. No. 000435-1-MY-1-QMS

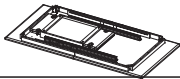
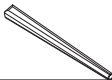

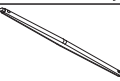
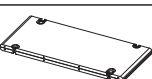
LUOMA.COM

Read the instruction carefully. Remove all the wrapping material, staples and straps from the carton. Refer to the hardware and furniture part list for guidance. Be sure that you have all the parts before you start assembling. Place all the wooden furniture part on a clean and flat soft surface, such as carpet or rubbermat to prevent from scratches.

CAUTION

KEEP ALL THE PARTS OUT OF REACH OF CHILDREN.

ITEM	HARDWARE LIST	QTY
(A)	Φ12x60MM 	4
(B)	M8x90 	8
(C)	M8 	8
(D)	M8 	8
(E)	M8 	8
(F)		1
(G)	Φ4x40MM 	4
(H)	Φ25MM 	4

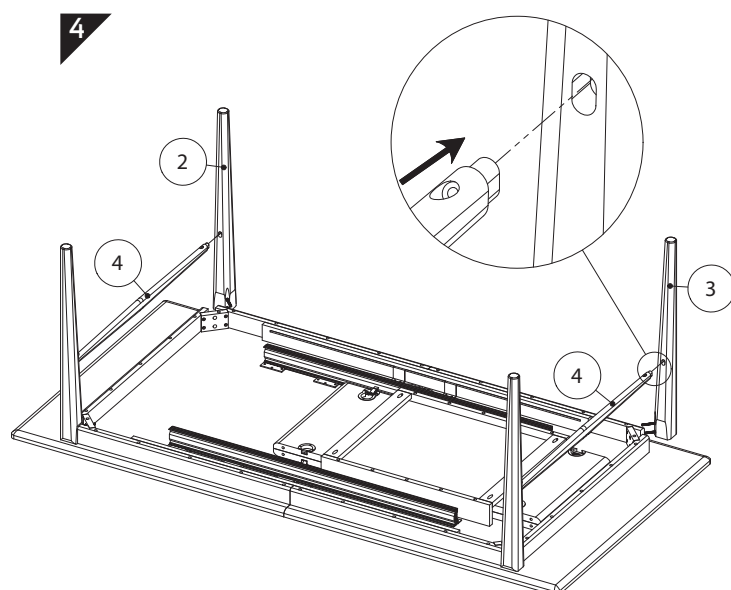
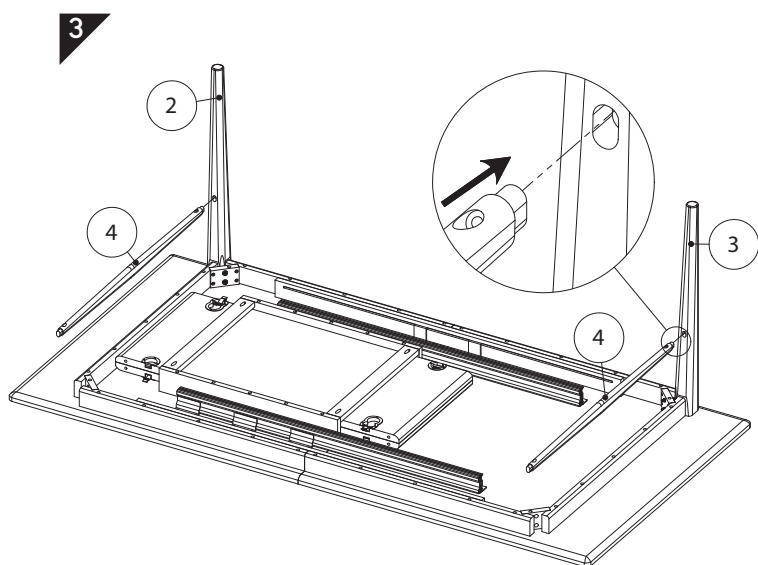
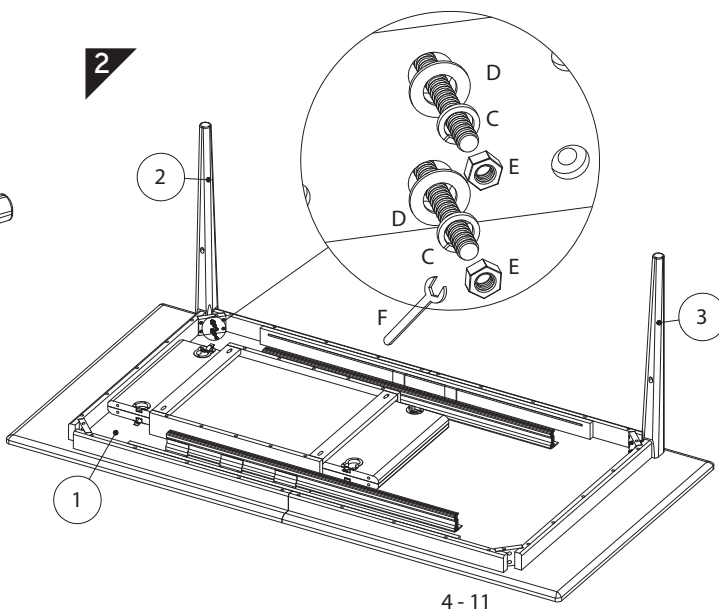
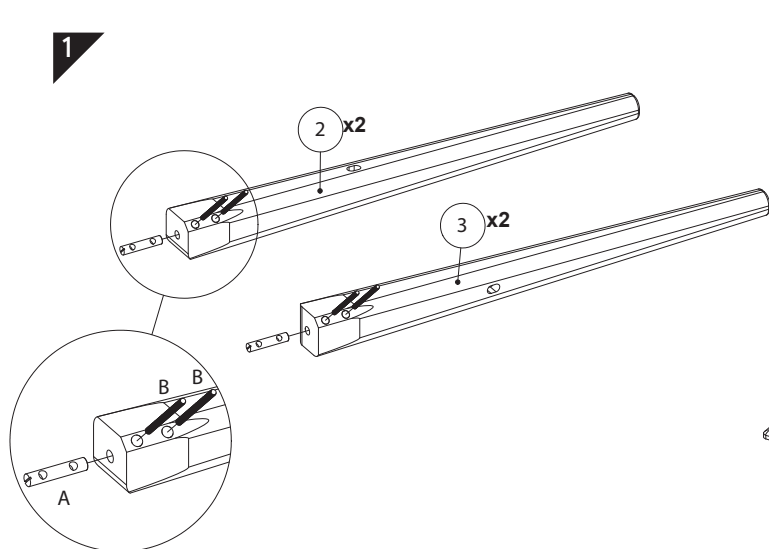
ITEM	PART LIST	QTY
(1)	BODY 	1
(2)	LEG 	2
(3)	LEG 	2
(4)	SUPPORT RAIL 	2
(5)	EXTENSION LEAF TOP 	2

CODING
- 149001



ISO 9001:2015
Reg. No. 000435-1-MY-1-QMS

LUooma.com



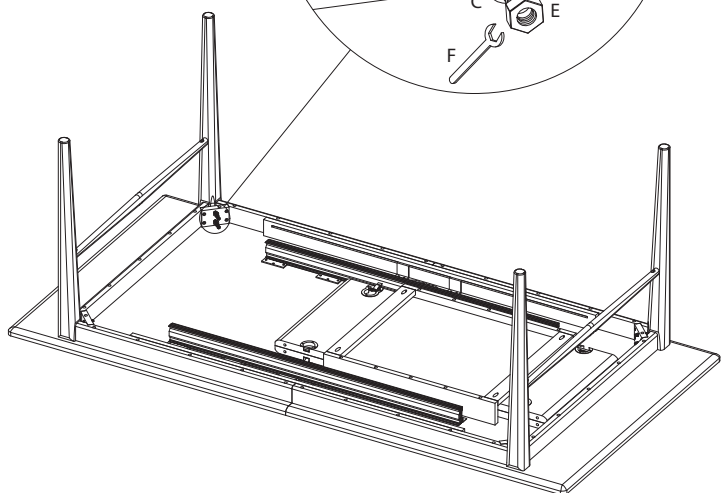
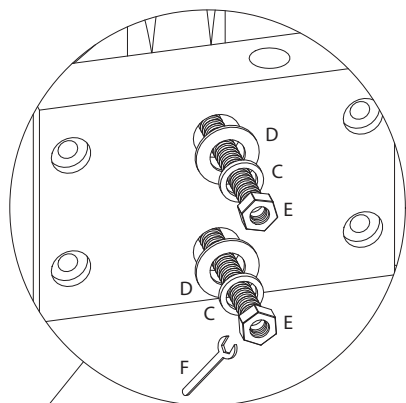
CODING
- 149001



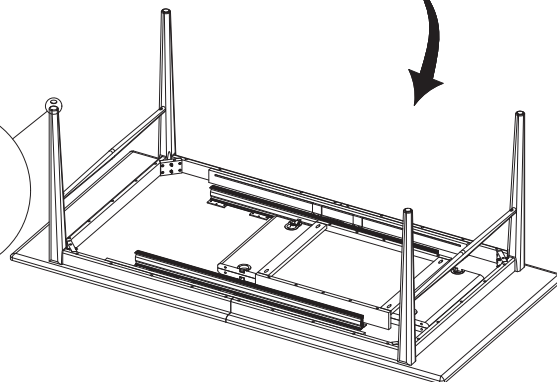
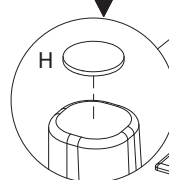
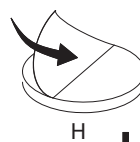
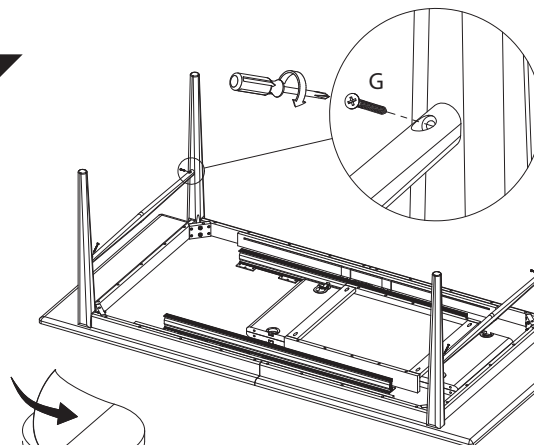
ISO 9001:2015
Reg. No. 000435-1-MY-1-QMS

LUooma.com

5



6



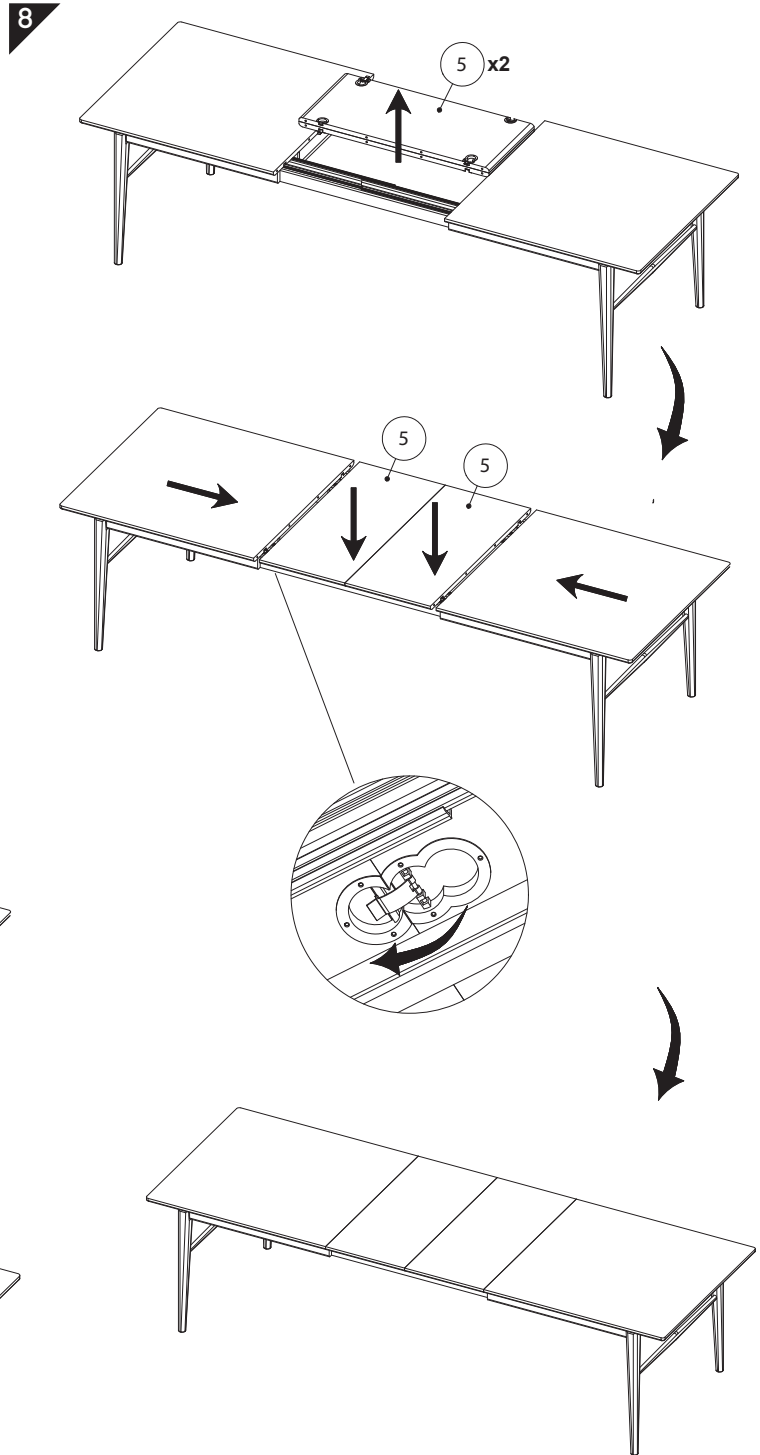
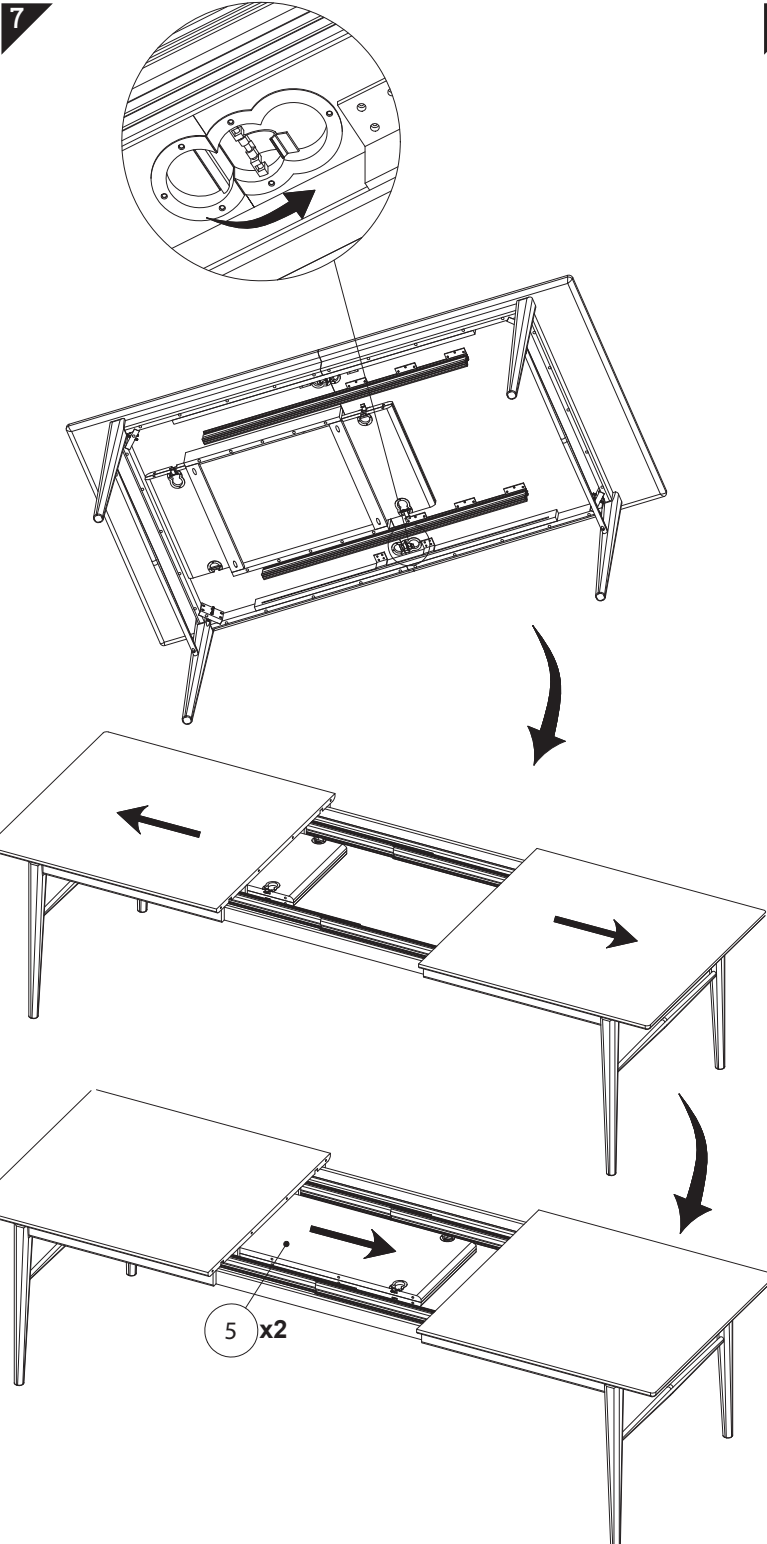
HAMPTON

CODING
- 149001



ISO 9001:2015
Reg. No. 000435-1-MY-1-QMS

LUooma.com



CODING
- 149001



ISO 9001:2015
Reg. No. 000435-1-MY-1-QMS

LUooma.com

