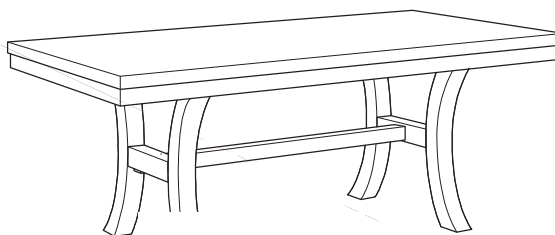


CODING
146176



ISO 9001:2015
Reg. No. 00435-1-MY-1-QMS

nesthouz.com

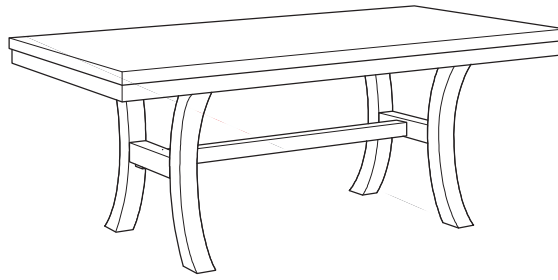
Read the instructions carefully. Remove all the wrappings, staples and straps from the carton. Refer to the hardware and furniture part list for guidance. Make sure that you have all the parts before you start assembling. Place all the wooden furniture parts on a clean, flat and soft surface, such as a carpet or rubbermat to prevent scratches.

CAUTION
KEEP ALL THE PARTS OUT OF CHILDREN'S REACH.

ITEM	PHOTO	HARDWARE NAME	QTY
(A)		JCBC M6 x 90mm	4
(B)		JCBC M6 x 40mm	2
(C)		JCBC M8 x 40mm	20
(D)		M6 Spring Washer	6
(E)		M8 Spring Washer	20
(F)		CSK M4 x 32mm	2
(G)		Adjustable	4
(H)		Wood Dowel M10 x 30mm	6
(I)		Allen Key M4	1
(J)		Allen Key M5	1
(K)		Wood Button 14.5	2

ITEM	PHOTO	PARTS NAME	QTY
(1)		Table Top	1
(2)		Table Long Support	2
(3)		Table Leg	2
(4)		Center Support	1
(5)		Support Panel	2

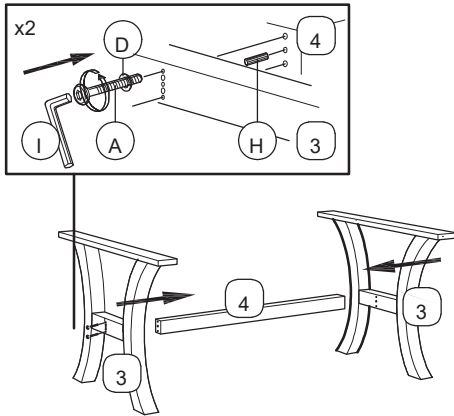
CODING
146176



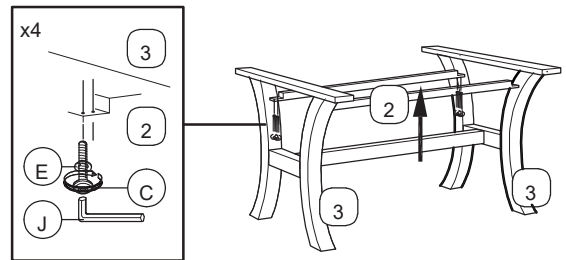
ISO 9001:2015
Reg. No. 00005-1-MY-1-QM

nesthouz.com

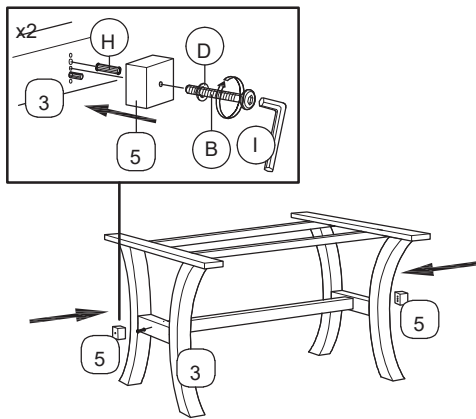
1



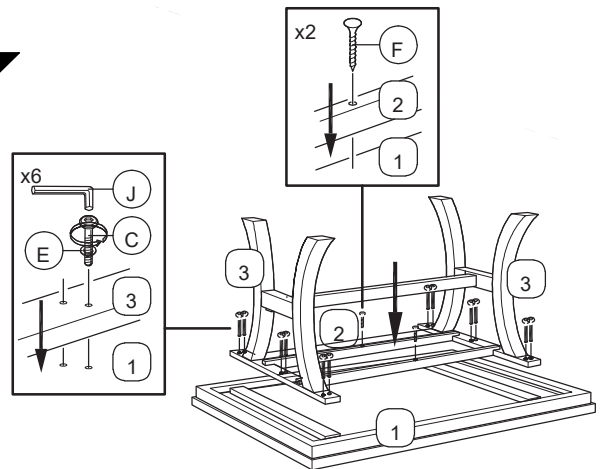
2



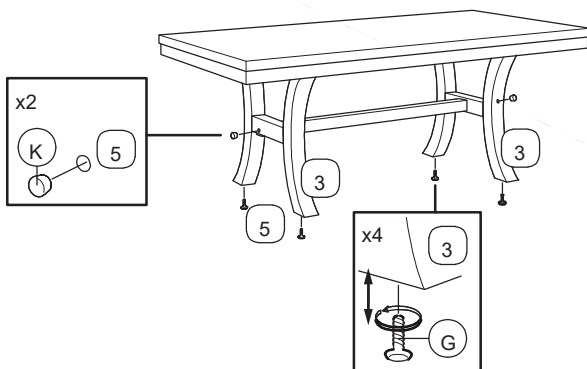
3



4



5



6

