

# KOEN

ASSEMBLY GUIDE

## CODING

-146113










ISO 9001:2015  
Reg. No. 000435-1-MY-1-QMS




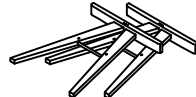
**nesthouz.com**

Read the instruction carefully. Remove all the wrapping material staples and straps from the carton. Refer to the hardware and furniture part list for guidance. Be sure you have all parts before you start assembling. Place all the wooden furniture part on a clean and flat surface, such as carpet or rubbermat to prevent scratches.

### Caution

**KEEP ALL PARTS OUT OF REACH OF CHILDREN.**

ITEM	HARDWARE LIST	QTY	SPARE QTY
Ⓐ	JCBC SCREW M6 x 30MM (BLK) 	4	
Ⓑ	SPRING WASHER 1/4" (BLK) 	4	
Ⓒ	JCBC SCREW M6 x 50MM 	6	
Ⓓ	SPRING WASHER 1/4" 	6	
Ⓔ	M4 ALLEY KEY (BALL SHAPE) LONG 	1	
Ⓕ	PLASTIC SUCKER 	6	
Ⓖ	WOOD DOWEL DIA 8 x 35MM 	4	

ITEM	PART LIST	SPARE QTY
①	GLASS TOP 	1
②	CENTER SUPPORT 	1
③	LEG SUPPORT (L & R) 	4
④	TABLE LEG 	2

# KOEN

ASSEMBLY GUIDE

## CODING

-146113



ISO 9001:2015  
Reg. No. 000435-1-MY-1-QMS

nesthouz.com

