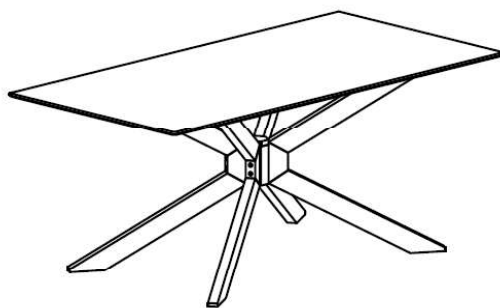


CODING

-146099













ISO 9001:2015
Reg. No. 000435-1-MTY-1-QMS





nesthouz.com

Read the instructions carefully. Remove all the wrappings, staples and straps from the carton. Refer to the hardware and furniture part list for guidance. Make sure that you have all the parts before you start assembling. Place all the wooden furniture parts on a clean, flat and soft surface, such as a carpet or rubbermat to prevent scratches.

CAUTION

KEEP ALL THE PARTS OUT OF CHILDREN'S REACH.

ITEM	HARDWARE LIST	QTY	SPARE QTY
A	JCBC SCREW M6 x 40MM 	4	
B	SPRING WASHER 1/4" 	12	
C	HEX NUT 5/16 x 11 	8	
D	SPRING WASHER 5/16" 	8	
E	FLAT WASHER 5/16" 	8	
F	ALLEN KEY M4 	1	
G	12.8 SPANNER 	1	
H	ADJUSTABLE SCREW 	4	
I	WOOD DOWEL DIA 8 x 30MM 	2	
J	JCBC SCREW M6 x 80MM 	8	

ITEM	PART LIST	QTY
①	TABLE TOP 	1
②	TABLE LEG 	4
③	TABLE LEG SUPPORT 	1
④	TABLE LEG SUPPORT TOP 	1

CODING

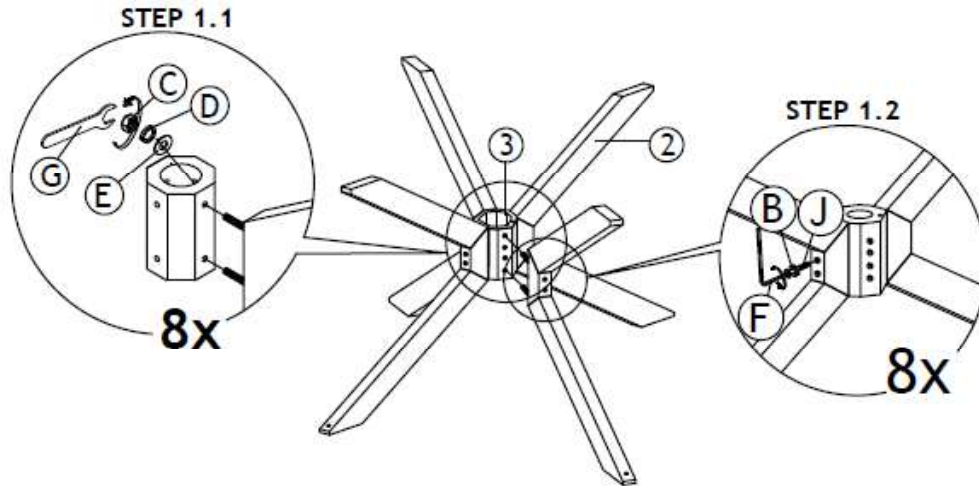
-146099



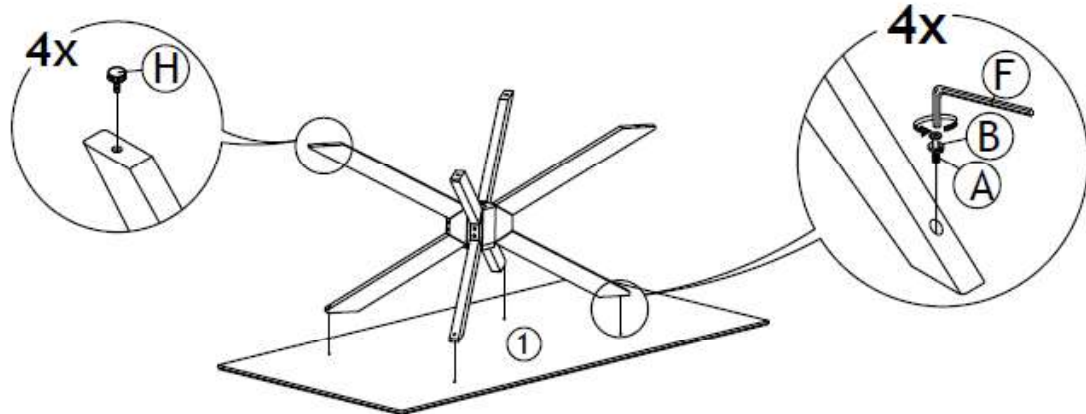
ISO 9001:2015
Reg. No. 000435-1-MY-1-QMS

nesthouz.com

1



2



3

