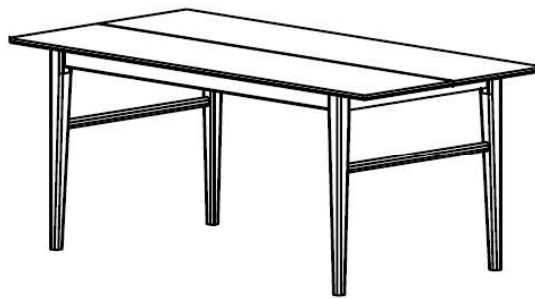


CODING

-146095

-146096









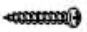


ISO 9001:2015
Reg. No. 000435-1-001-1-QMS


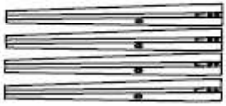



LUOMA.COM

Read the instructions carefully. Remove all the wrappings, staples and straps from the carton. Refer to the hardware and furniture part list for guidance. Make sure that you have all the parts before you start assembling. Place all the wooden furniture parts on a clean, flat and soft surface, such as a carpet or rubbermat to prevent scratches.

CAUTION

KEEP ALL THE PARTS OUT OF CHILDREN'S REACH.

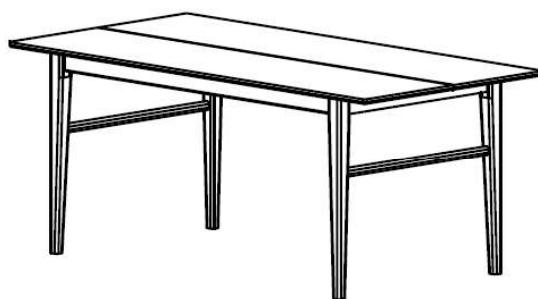
ITEM	HARDWARE LIST	QTY	SPARE QTY
①	JCBB SCREW M8 x 70MM 	8	
②	SPRING WASHER 5/16" 	8	
③	FLAT WASHER 5/16" 	8	
④	JCBC SCREW M6 x 30MM 	4	
⑤	JCBC SCREW M6 x 70MM 	12	
⑥	SPRING WASHER 1/4" 	16	
⑦	PAN HEAD SCREW M5 x 32MM 	4	
⑧	M4 ALLEN KEY 	1	
⑨	M5 ALLEY KEY 	1	

ITEM	PART LIST	QTY
Ⓐ	TABLE TOP (L & R) 	2
Ⓑ	TABLE LEG (L & R) 	4
Ⓒ	TABLE LEG SUPPORT 	2
Ⓓ	VERTICAL APRON 	2
Ⓔ	CENTER APRON 	1

CODING

-146095

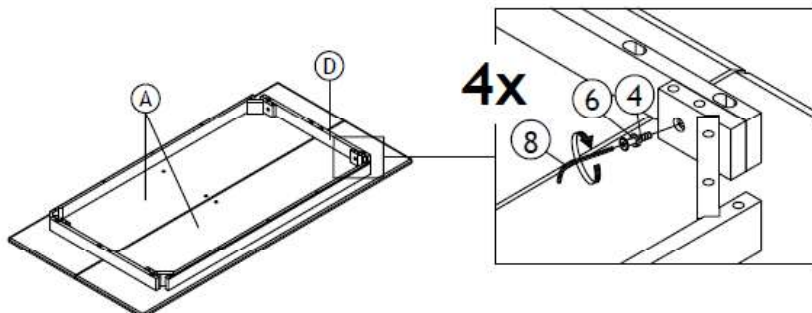
-146096



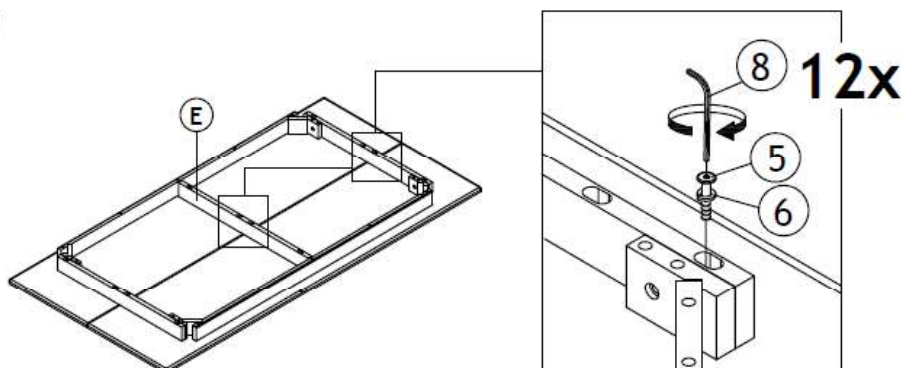
ISO 9001:2015
Reg. No. 000435-1-2017-1-QMS

LUOMO.COM

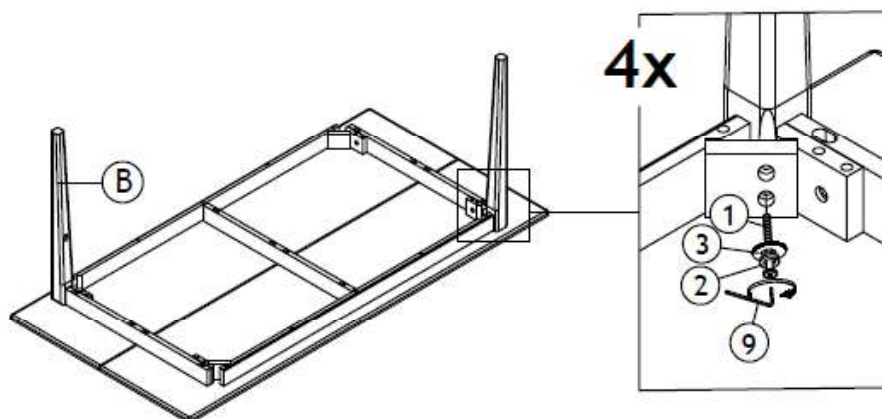
Step 1



Step 2



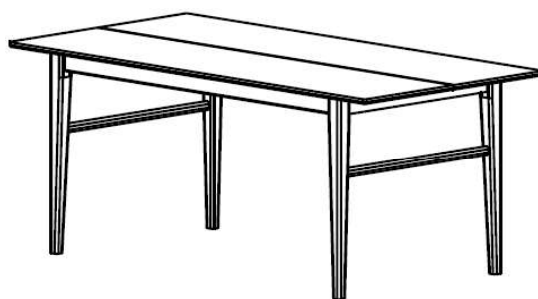
Step 3



CODING

-146095

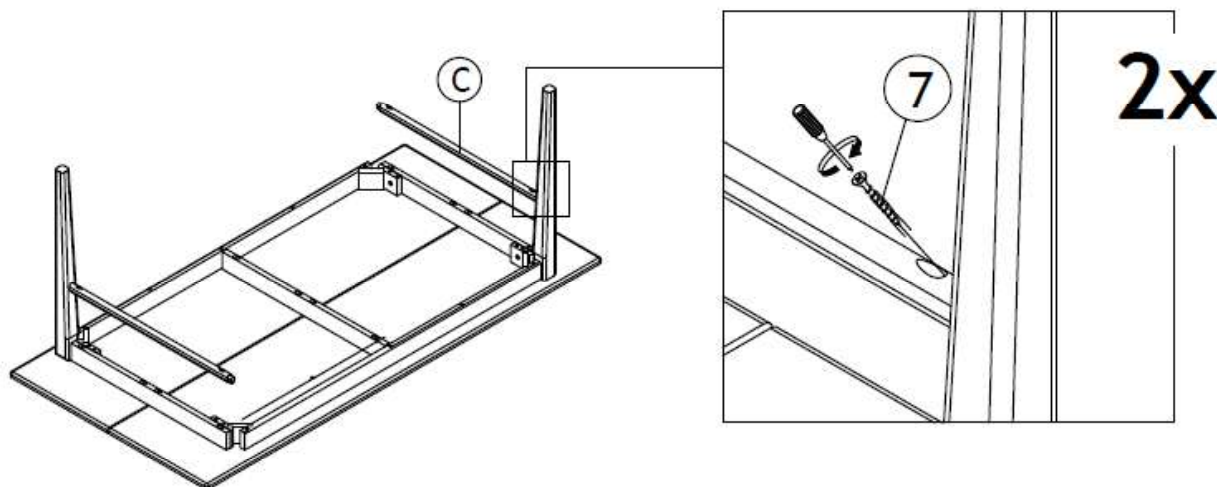
-146096



ISO 9001:2015
Reg. No. 000435-1-HAY-1-QMS

LUOMA.COM

Step 4



Step 5

