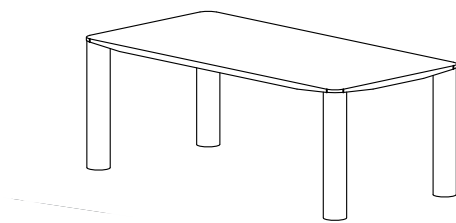


## CODING

-145166





**ISO 9001:2015**

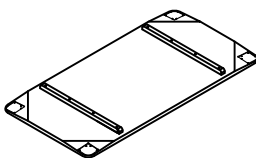
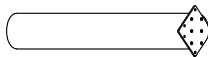
Reg.No. 00435-1-MY-1-QMS

nestnordic.com

Read the instruction carefully. Remove all the wrapping material staples and straps from the carton. Refer to the hardware and furniture part list for guidance. Be sure you have all parts before you start assembling. Place all the wooden furniture part on a clean and flat surface, such as carpet or rubbermat to prevent scratches.

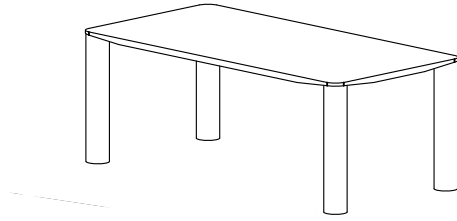
**CAUTION**  
KEEP ALL THE PARTS OUT OF CHILDREN'S REACH.

ITEM	PHOTO	HARDWARE NAME	QTY
Ⓐ		JCBC SCREW M6 x 20MM (BLK)	16
Ⓑ		ALLEN KEY M4	1

ITEM	PHOTO	PART NAME	QTY
①		TABLE TOP	1
②		TABLE LEG	4

CODING

-145166



ISO 9001:2015  
Reg.No. 00435-1-MY-1-QMS

nestnordic.com

1

