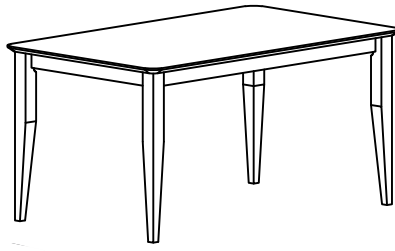


## CODING

- 145164
- 145165







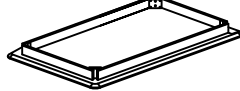

ISO 9001:2015  
Reg.No. 00435-1-MY-1-QMS

**nuhoom.com**

Read the instruction carefully. Remove all the wrapping material staples and straps from the carton. Refer to the hardware and furniture part list for guidance. Be sure you have all parts before you start assembling. Place all the wooden furniture part on a clean and flat surface, such as carpet or rubbermat to prevent scratches.

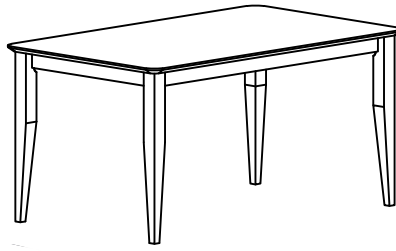
**CAUTION**  
KEEP ALL THE PARTS OUT OF CHILDREN'S REACH.

ITEM	PHOTO	HARDWARE NAME	QTY
(A)		JCBC SCREW M8 x 70MM	8
(B)		SPRING WASHER 5/16"	8
(C)		FLAT WASHER 5/16"	8
(D)		ALLEN KEY M5	1

ITEM	PHOTO	PART NAME	QTY
①		TABLE TOP	1
②		TABLE LEG	4

## CODING

- 145164
- 145165



ISO 9001:2015  
Reg.No. 00435-1-MY-1-QMS

nuhoom.com

1

