

CODING
- 145152

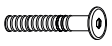


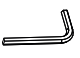


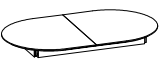

ISO 9001:2015
Reg. No. 000435-1-MY-1-QMS

nesthouz.com

Read the instructions carefully. Remove all the wrappings, staples and straps from the carton. Refer to the hardware and furniture part list for guidance. Make sure that you have all the parts before you start assembling. Please place all the wooden furniture parts on a clean, flat and soft surface, such as a carpet or rubbermat to prevent scratches.

CAUTION
KEEP ALL THE PARTS OUT OF CHILDREN'S REACH

ITEM	PHOTO	HAREWARE NAME	QTY
(A)		M8 x 50mm	8
(B)		M8	8
(C)		M8	8
(D)		M5	1

ITEM	PHOTO	PARTS NAME	QTY
(1)		Table Top	1
(2)		Table Leg	4

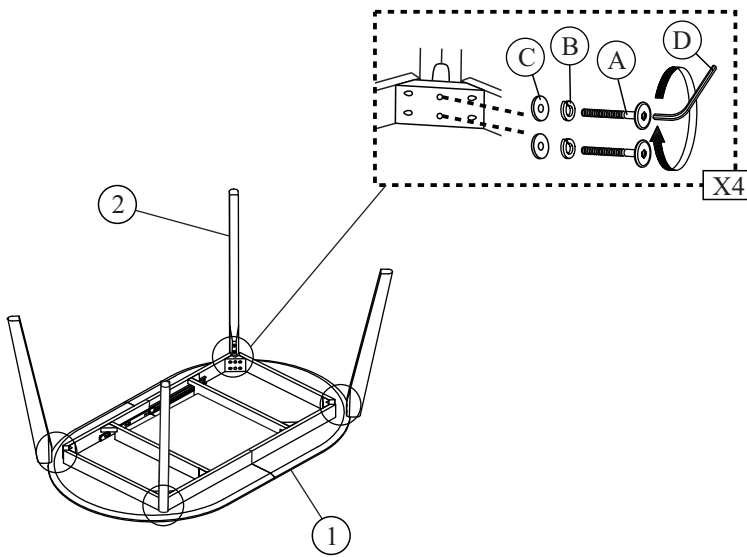
CODING
- 145152



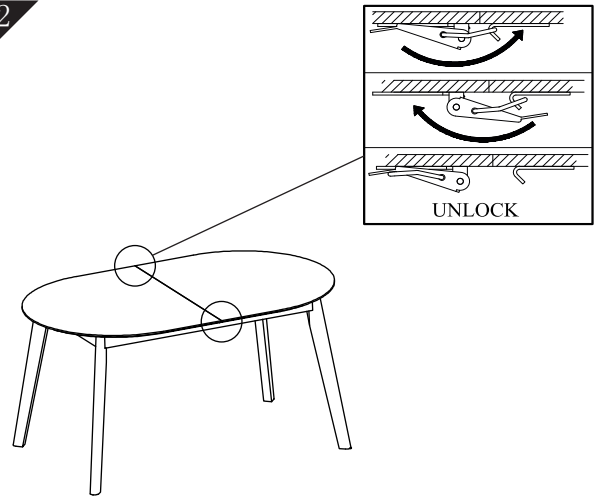
ISO 9001:2015
Reg. No. 000435-1-MY-1-QMS

nesthouz.com

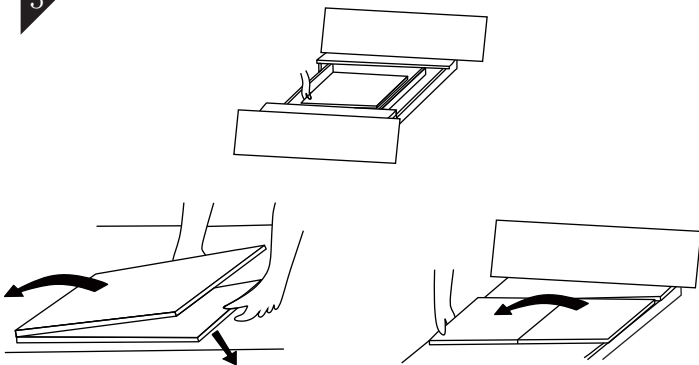
1



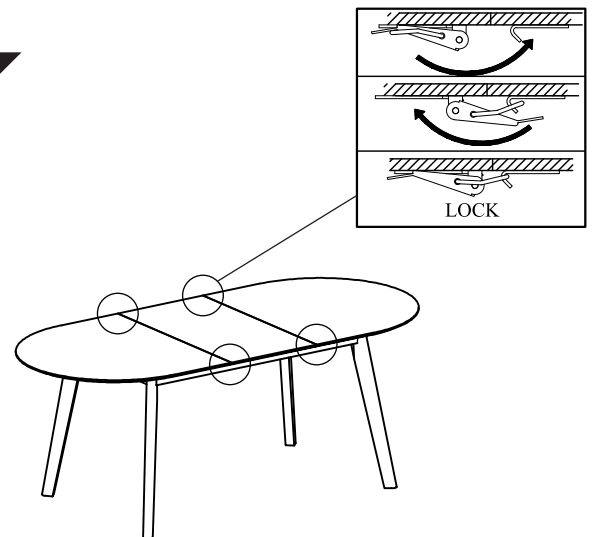
2



3



4



GUIDELINE FOR OPENING THE LEAF