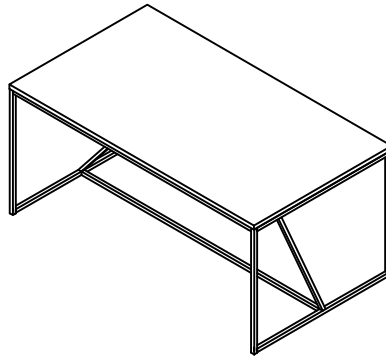


**CODING**  
-145137








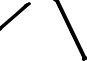
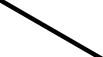
ISO 9001: 2015  
Reg. No. 000435-1-MY-1-QMS

**LUOMA.com**

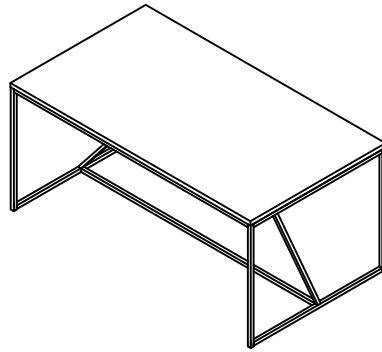
Read the instructions carefully. Remove all the wrappings, staples and straps from the carton. Refer to the hardware and furniture part list for guidance. Make sure that you have all the parts before you start assembling. Place all the wooden furniture parts on a clean, flat and soft surface, such as a carpet or rubbermat to prevent scratches.

**CAUTION**  
KEEP ALL THE PARTS OUT OF CHILDREN'S REACH.

| ITEM | PHOTO   | HARDWARE NAME                          | QTY |
|------|---|--|-----|
| (A)  |  | Allen Key M4                           | 1   |
| (B)  |  | JCBC Screw M6x50<br>Spring+Flat Washer | 6   |
| (C)  |  | JCBC Screw M6x20<br>Spring+Flat Washer | 8   |

| ITEM | PHOTO  | PART NAME            | QTY |
|------|--|----------------------|-----|
| ①    |  | Top Panel            | 1   |
| ②    |  | Metal Side Leg       | 2   |
| ③    |  | Metal Centre Support | 2   |
| ④    |  | Metal Support Leg    | 1   |

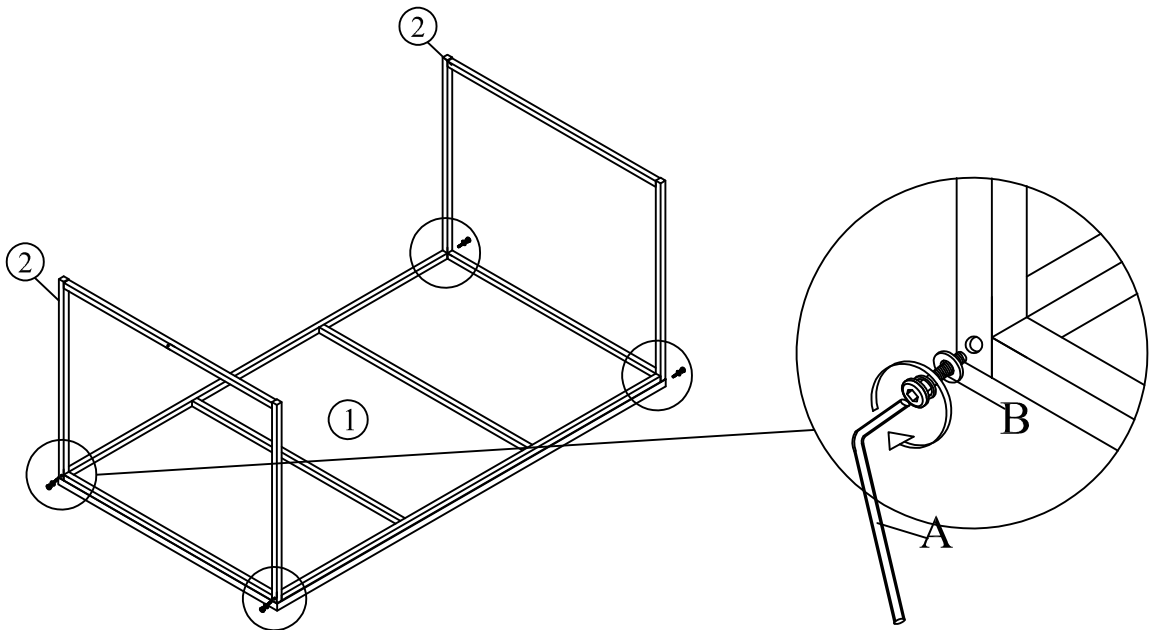
CODING  
-145137



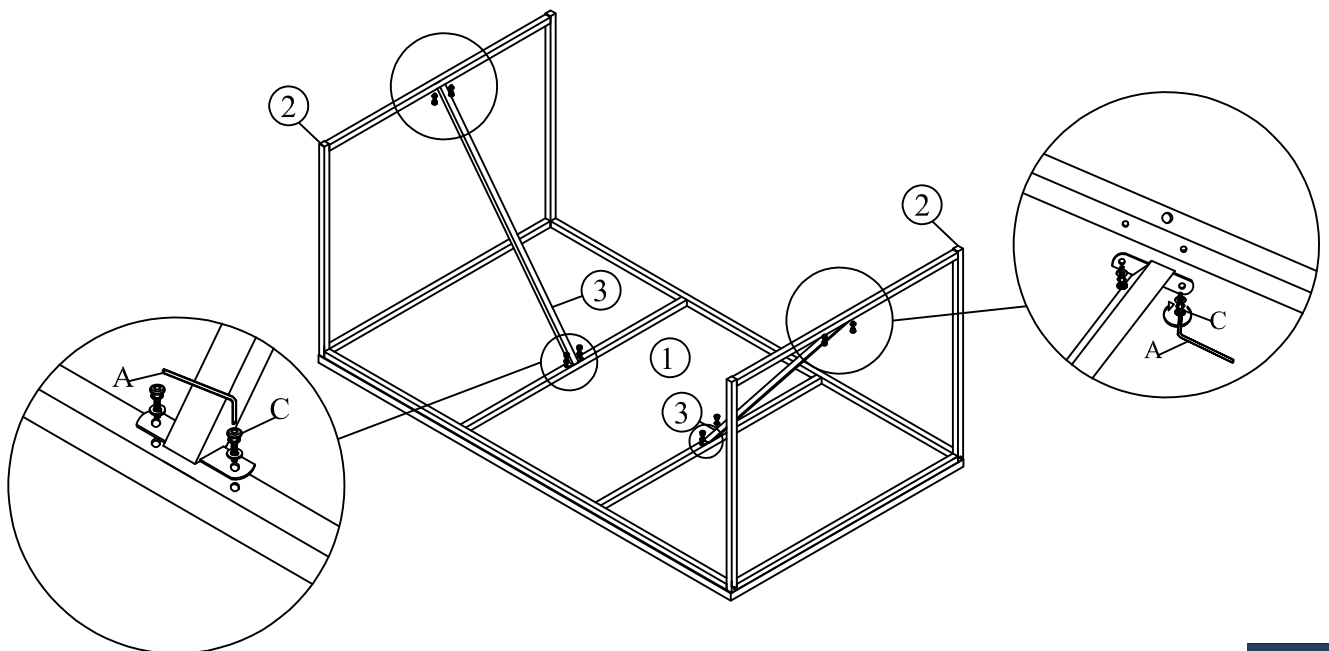
ISO 9001: 2015  
Reg. No. 000435-1-MY-1-QMS

**LUOMA.COM**

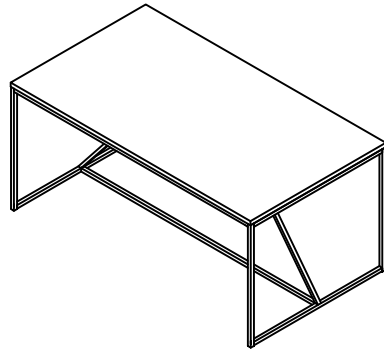
1



2



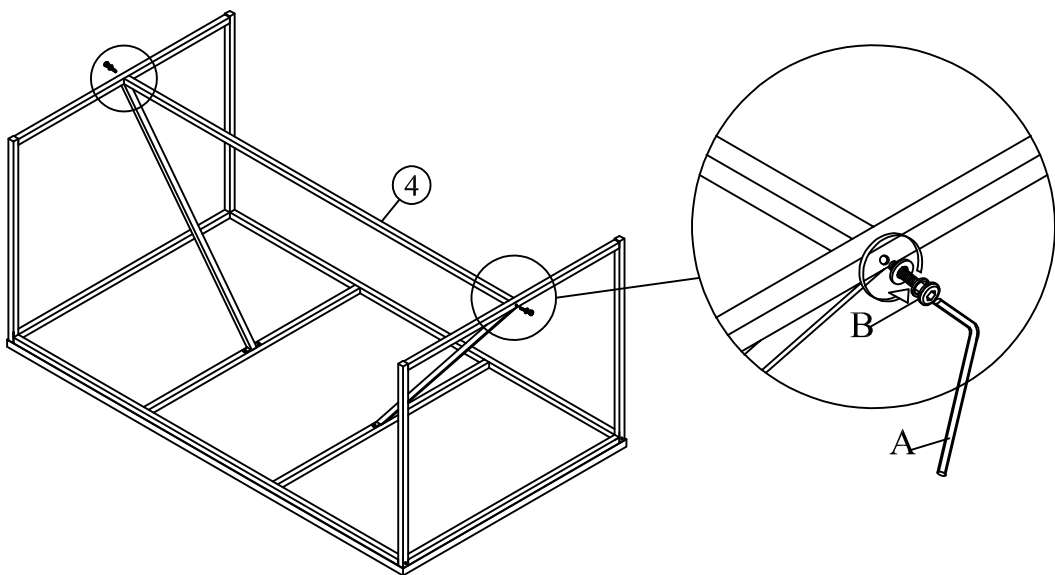
CODING  
-145137



ISO 9001: 2015  
Reg. No. 000435-1-MY-1-QMS

**LUOMA.COM**

3



4

