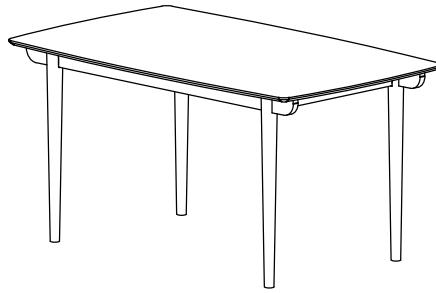


CODING

-145127










ISO 9001:2015
Reg. No. 09051-127-1-QM


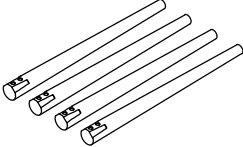
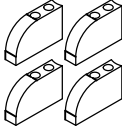
LUOMA.com

Read the instruction carefully. Remove all the wrapping material staples and straps from the carton. Refer to the hardware and furniture part list for guidance. Be sure you have all parts before start assembling. Place all the wooden furniture part on a clean and flat surface, such as carpet or rubbermat to prevent scratches.

Caution

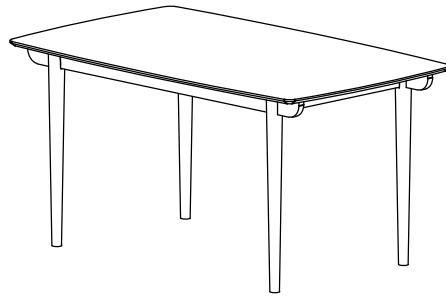
KEEP ALL PARTS OUT OF REACH OF CHILDREN.

ITEM	HARDWARE LIST	QTY	SPARE QTY
①	JCBB SCREW M8 x 70MM 	8	
②	SPRING WASHER 5/16" 	24	
③	FLAT WASHER 5/16" 	8	
④	JCBC SCREW M6 x 70MM 	4	
⑤	SPRING WASHER 1/4" 	12	
⑥	M4 ALLEN KEY 	1	
⑦	M5 ALLEY KEY 	1	

ITEM	PART LIST	QTY
Ⓐ	TABLE TOP 	1
Ⓑ	TABLE LEG 	4
Ⓒ	TABLE LEG SUPPORT BLOCK 	4

CODING

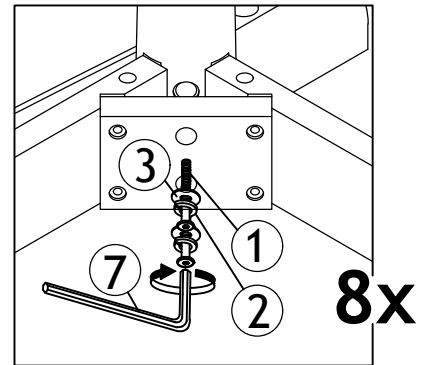
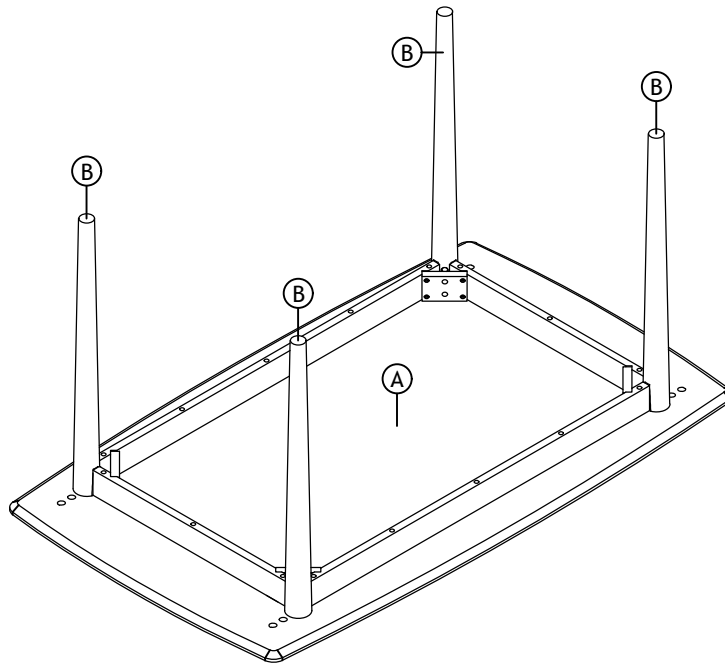
-145127



ISO 9001:2015
Reg. No. 00051-1-1271-Q38

LUOMA.com

Step 1



Step 2

