

CODING

-145068
-146066






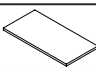


ISO 9001:2015
Reg. No. 000435-1-MY-1-QMS



Read the instruction carefully. Remove all the wrapping material. Staples and straps from the carton. Refer to the hardware and furniture part list for guidance. Be sure that you have all the parts before you start assembling. Place all the wooden furniture part on a clean and flat soft surface, such as carpet or rubbermat to prevent from scratches

CAUTION KEEP ALL THE PARTS OUT REACH OF CHILDREN

ITEM	PHOTO	HARDWARE NAME	QTY
A		M6x15	24
B		Whaser M6	24
C		Alenkey 4	1

ITEM	PHOTO	PART NAME	SPARE QTY
①		TOP TABLE	1
②		METAL LEGS	2
③		CONNECTION BAR	1

CODING

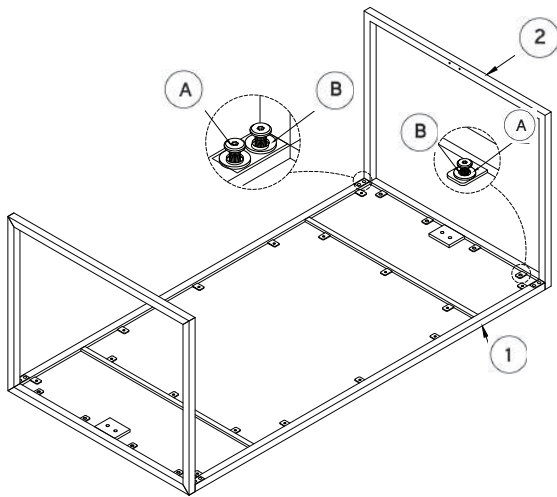
-145068
-146066



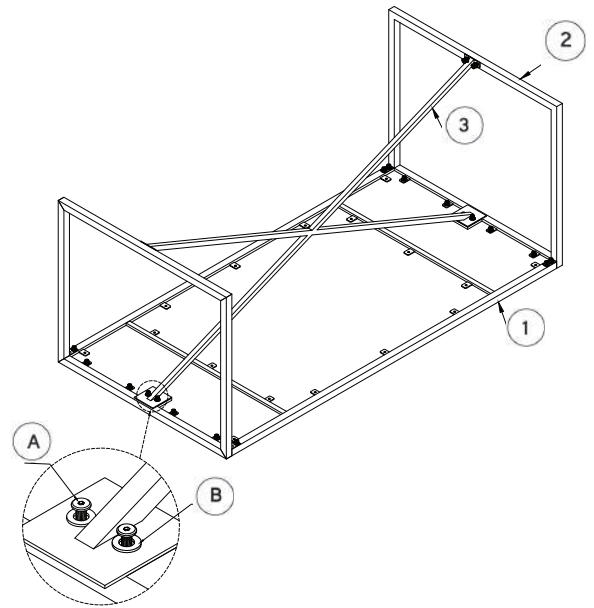
ISO 9001:2015
Reg. No. 000435-1-MY-1-QMS

fynd.
FURNITURE

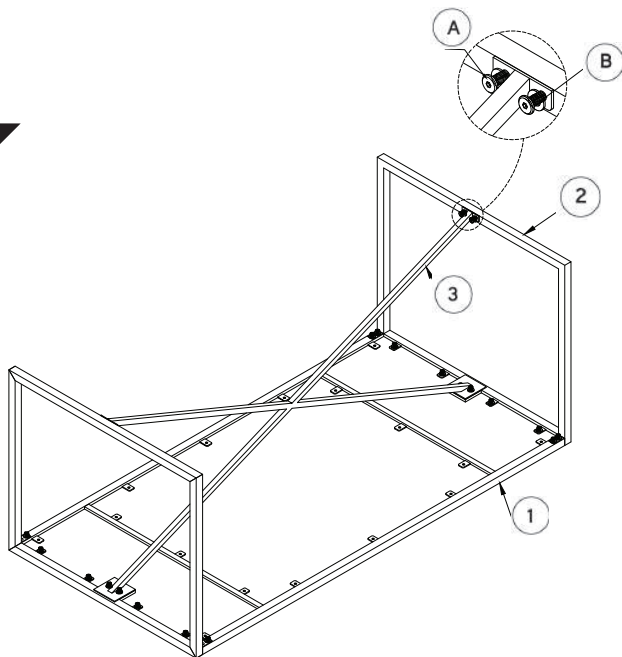
1



2



3



4

