

CODING
-145050



ISO 9001:2015
Reg. No. 000435-1-MY-1-QMS



Read the instruction carefully. Remove all the wrapping material. Staples and straps from the carton. Refer to the hardware and furniture part list for guidance. Be sure that you have all the parts before you start assembling. Place all the wooden furniture part on a clean and flat soft surface, such as carpet or rubbermat to prevent from scratches

CAUTION
KEEP ALL THE PARTS OUT REACH OF CHILDREN

ITEM	PHOTO	HARDWARE NAME	QTY
(A)		Bolts M8x40	16
(B)		Washers M8 x 19	18
(C)		Lock washer M8 x 13	16
(D)		Allen key K4	1
(F)		Bolts M8x45	2

ITEM	PHOTO	PARTS NAME	QTY
(1)		Top	1
(2)		Foot	2
(3)		Suport	1

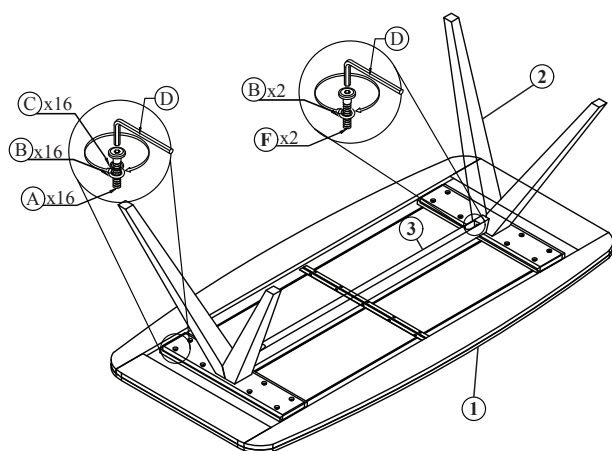
CODING
-145050



ISO 9001:2015
Reg. No. 000435-1-MY-1-QMS

fynd.
FURNITURE

1



2

