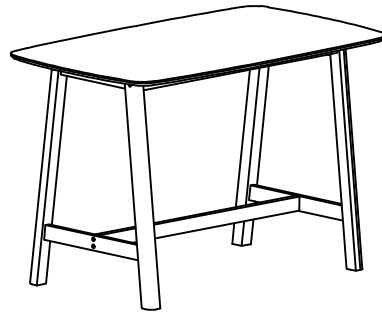


CODING

- 144126



ISO 9001:2015  
Reg. No. 000435-1-MY-1-QMS

nesthouz.com

Read the instruction carefully. Remove all the wrapping material, staples and straps from the carton. Refer to the hardware and furniture part list for guidance. Be sure that you have all the parts before you start assembling. Place all the wooden furniture part on a clean and flat soft surface, such as carpet or rubbermat to prevent from scratches.

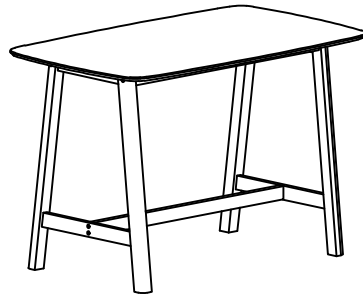
CAUTION  
KEEP ALL THE PARTS OUT OF REACH OF CHILDREN .

ITEM	PHOTO	HAREWARE NAME	QTY
A		JCBC SCREW M6 x 80MM	4
B		JCBC SCREW M6 x 60MM	2
C		JCBC SCREW M6 x 45MM	2
D		SPRING WASHER M6	8
E		ALLEN KEY M4	1
F		WOOD BUTTON 14.5	8
G		WOOD DOWEL M10 X 40MM	4
H		BARREL NUT M6	6
I		C/B SCREW M4 X 25MM	16
J		C/B SCREW M4 X 32MM	14
K		SCREW DRIVER	1

ITEM	PHOTO	PARTS NAME	QTY
1		TABLE TOP	1
2		LEG	2
3		CENTRE RAIL (TOP)	2
4		CENTRE RAIL (BOTTOM)	1
5		CORNERBLOCK	4

# MALY

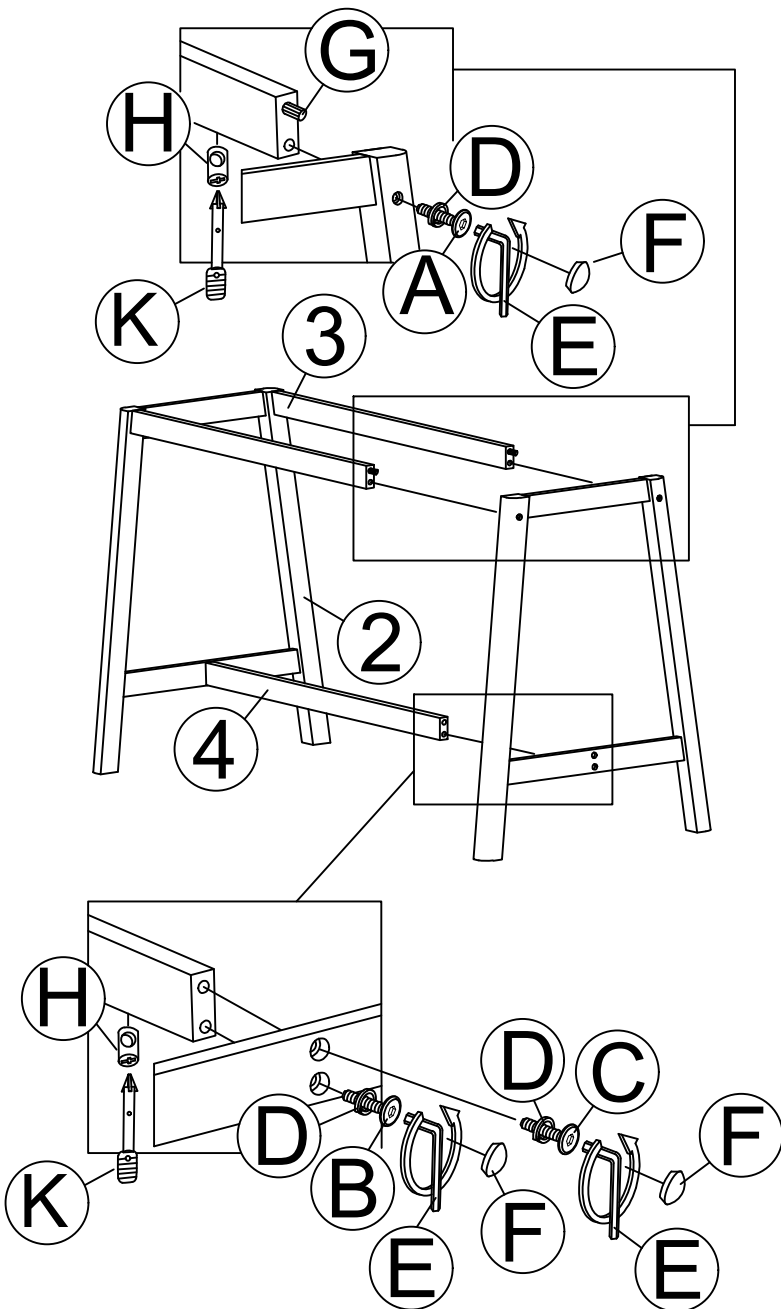
CODING  
- 144126



ISO 9001:2015  
Reg. No. 000435-1-MY-1-QMS

nesthouz.com

1



2

