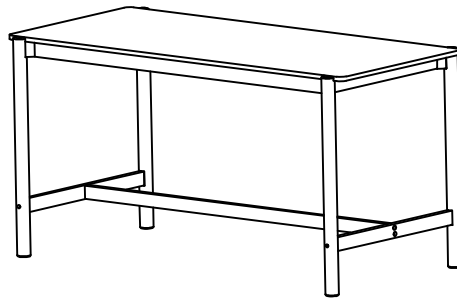


CODING

- 144125



ISO 9001:2015  
Reg. No. 000435-1-MY-1-QMS

nesthouz.com

Read the instruction carefully. Remove all the wrapping material, staples and straps from the carton. Refer to the hardware and furniture part list for guidance. Be sure that you have all the parts before you start assembling. Place all the wooden furniture part on a clean and flat soft surface, such as carpet or rubbermat to prevent from scratches.

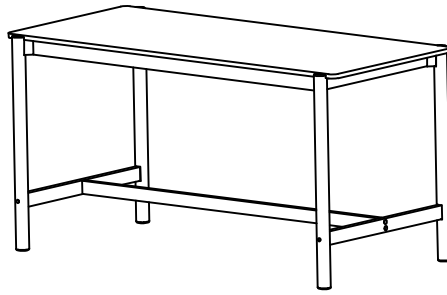
**CAUTION**

KEEP ALL THE PARTS OUT OF REACH OF CHILDREN .

ITEM	PHOTO	HAREWARE NAME	QTY
A		JCBC SCREW M8 x 50MM	8
B		SPRING WASHER M8	8
C		FLAT WASHER M8	8
D		ALLEN KEY M5	1
E		C/B SCREW M4 X 38MM	4
F		JCBC SCREW-W M6 x 50MM	4
G		ALLEN KEY M4	1
H		WOOD BUTTON 14.5	8
I		JCBC SCREW M6 x 55MM	2
J		JCBC SCREW M6 x 45MM	2
K		SPRING WASHER M6	4
R		BARREL NUT M6	2
M		SCREW DRIVER	1

ITEM	PHOTO	PARTS NAME	QTY
1		TABLE TOP	1
2		LEG	4
3		SIDE RAIL	2
4		CENTRE RAIL	1

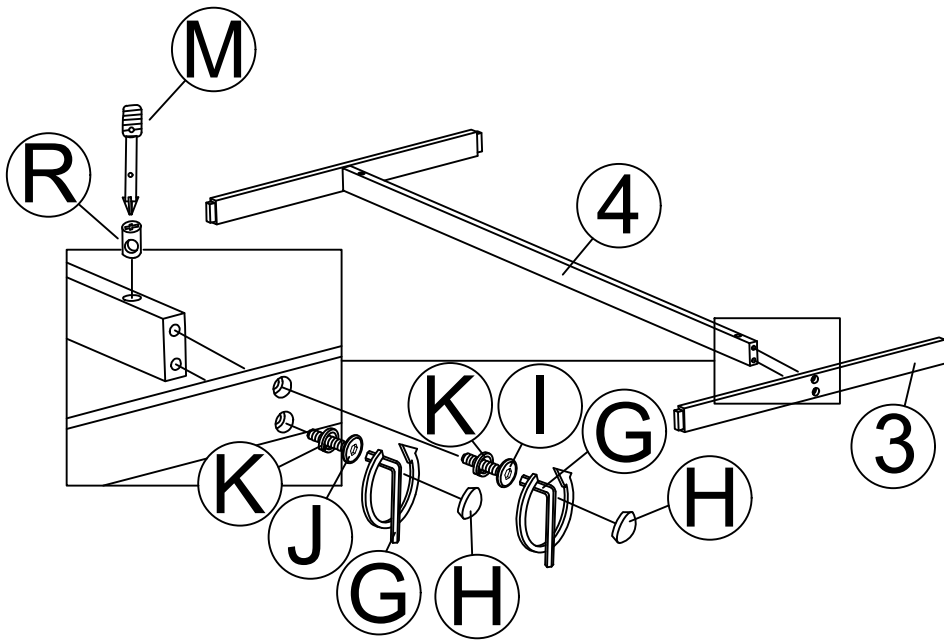
CODING  
- 144125



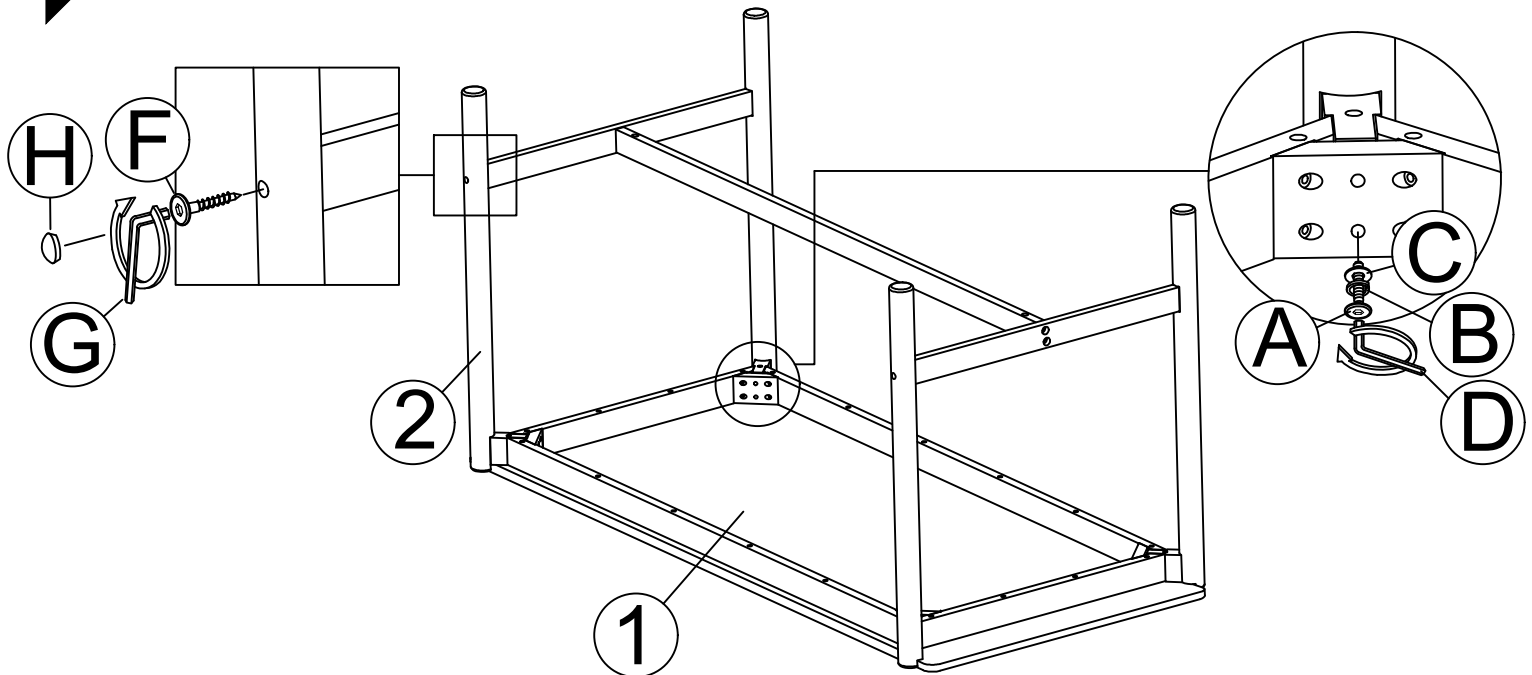
ISO 9001:2015  
Reg. No. 000435-1-MY-1-QMS

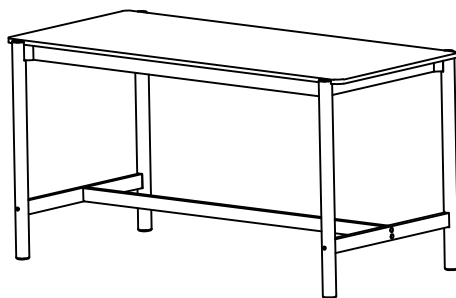
nesthouz.com

1



2





3

According to the instruction of item  
Ⓐ, it must be tie up 100%, after  
only tied item Ⓔ

