

CODING  
- 144120

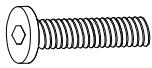
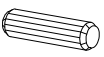




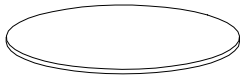
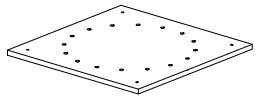

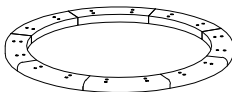
ISO 9001 : 2015  
Reg. 000435-1-MY-1-QMS

**nesthouz.com**

Read the instruction carefully . Remove all the wrapping material staples and straps from the carton. Refer to the hardware and furniture part list for guidance. Be sure you have all part before you start assembling. Place all the wooden furniture part on a clean and flat surface, such as carpet or rubbermat to prevent scratches.

**CAUTION**  
KEEP ALL THE PARTS OUT OF CHILDREN ' S REACH.

ITEM	PHOTO	HARDWARE NAME	QTY
A		JCBC M6 x 35 mm	36
B		WOOD DOWEL 8 X 30mm	32
C		FLAT WASHER M6	4
D		ALLEN KEY M4	1

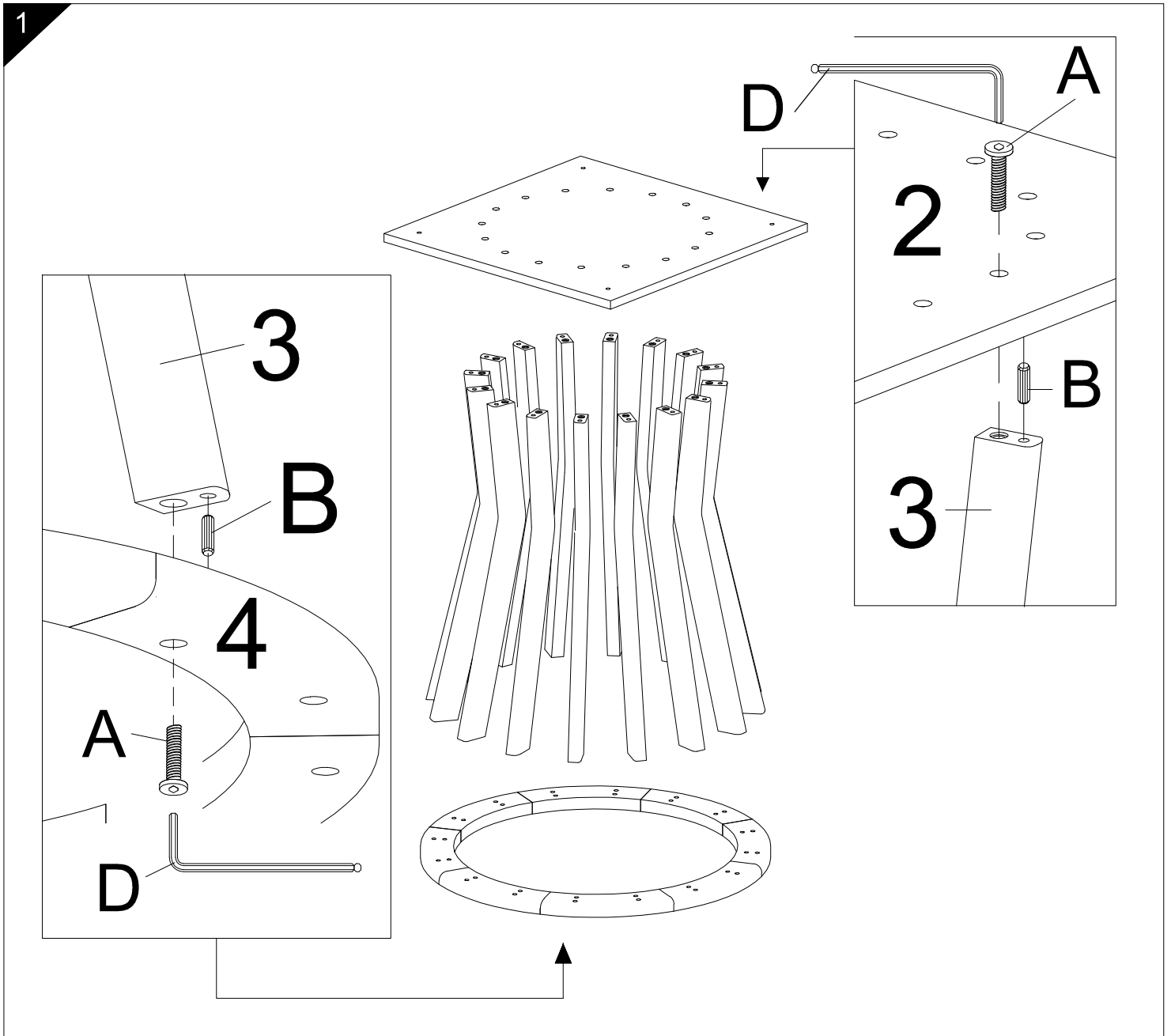
ITEM	PHOTO	PARTS NAME	QTY
1		TABLE TOP	1
2		TABLE TOP BTM PANEL	1
3		LEG	16
4		BOTTOM FRAME	1

CODING  
- 144120



ISO 9001 : 2015  
Reg. 000435-1-MY-1-QMS

nesthouz.com



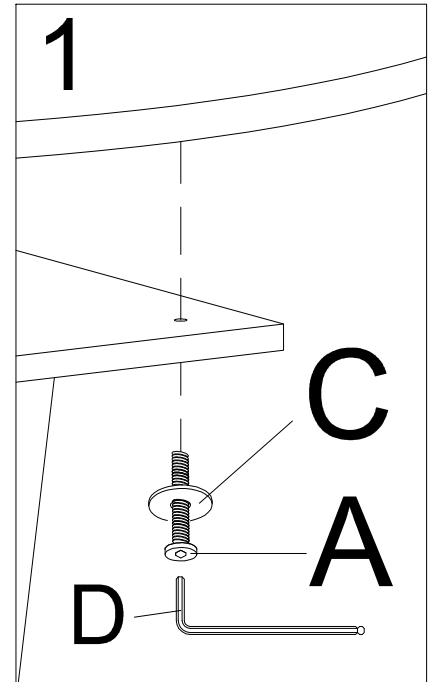
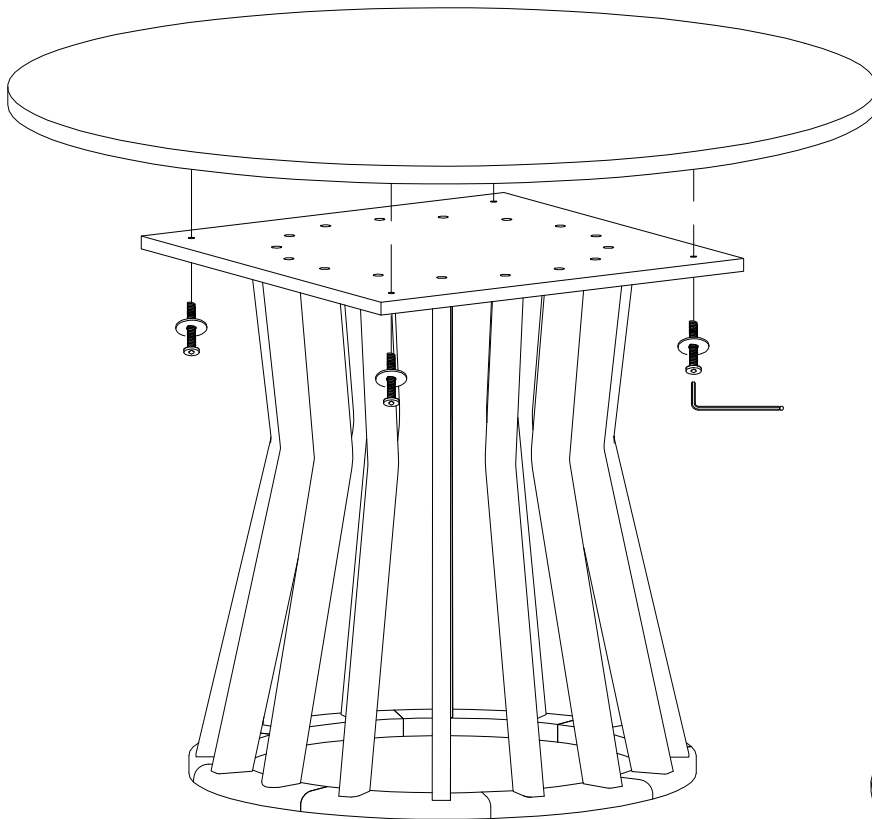
CODING  
- 144120



ISO 9001 : 2015  
Reg. 000435-1-MY-1-QMS

nesthouz.com

2



COMPLETED  
ASSEMBLY

