

CODING

- 144059








ISO 9001:2015
Reg. No. 000435-1-MY-1-QMS

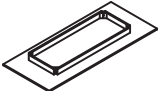
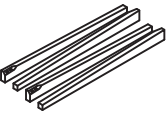
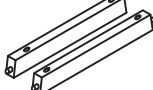

nesthouz.com

Read the instructions carefully. Remove all the wrappings, staples and straps from the carton. Refer to the hardware and furniture part list for guidance. Make sure that you have all the parts before you start assembling. Place all the wooden furniture parts on a clean, flat and soft surface, such as a carpet or rubbermat to prevent scratches.

CAUTION

KEEP ALL THE PARTS OUT OF CHILDREN'S REACH.

| ITEM | PHOTO | HAREWARE NAME | QTY |
|------|---|----------------------------------|-----|
| (A) |  | JCBB SCREW M8 X 70MM | 8 |
| (B) |  | SPRING WASHER 5/16" | 8 |
| (C) |  | FLAT WASHER 5/16" | 8 |
| (D) |  | ALLEN KEY M5 | 1 |
| (E) |  | PAN HEAD WOOD SCREW M5 X 32MM | 6 |

| ITEM | PHOTO | PARTS NAME | QTY |
|------|--|------------------|-----|
| (1) |  | TABLE TOP | 1 |
| (2) |  | TABLE LEG(L & R) | 4 |
| (3) |  | LEG SUPPORT | 2 |
| (4) |  | CENTER SUPPORT | 1 |

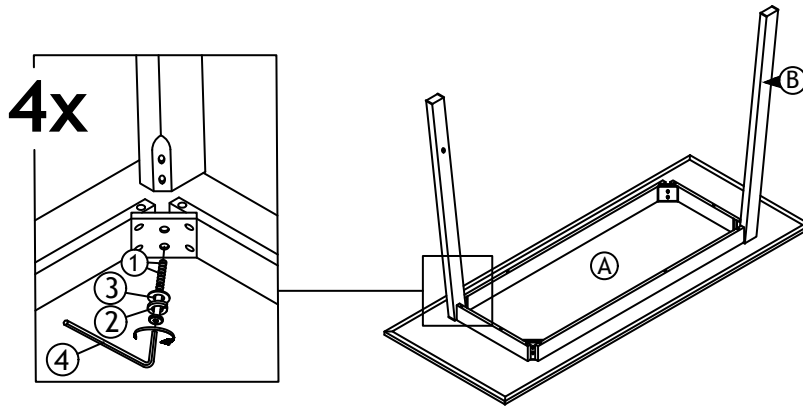
CODING
- 144059



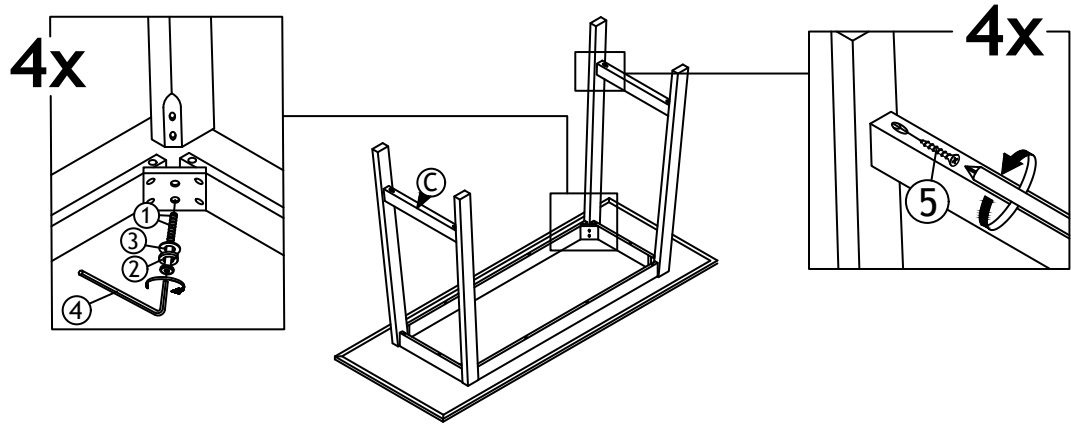
ISO 9001:2015
Reg. No. 000435-1-MY-1-QMS

nesthouz.com

1



2



3

