

## CODING

- 1409696
- 1409697
- 1409698
- 1469062
- 1469064
- 1469063



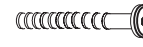











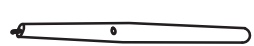



ISO 9001:2015  
Reg. No. 000435-1-MY-1-QMS

nesthouz.com

Read the instruction carefully. Remove all the wrapping material. Staples and straps from the carton. Refer to the hardware and furniture part list for guidance. Be sure that you have all the parts before you start assembling. Place all the wooden furniture part on a clean and flat soft surface, such as carpet or rubbermat to prevent from scratches

## CAUTION KEEP ALL THE PARTS OUT REACH OF CHILDREN

ITEM	HARDWARE LIST	QTY	SPARE QTY
①	PAN HEAD WOOD SCREW M5 X 16mm 	8	
②	CSK SOCKET SCREW M6 x 45mm 	4	
③	JCBC SCREW M6 x 40mm 	12	
④	HEX NUT 5/16" 	4	
⑤	M4 ALLEN KEY(BALL SHAPE)LONG 	1	
⑥	WRENCH 	1	
⑦	FLAT WASHER 5/16" 	4	
⑧	SPRING WASHER 5/16" 	4	
⑨	FLAT WASHER 1/4" 	12	
⑩	SPRING WASHER 1/4" 	12	

ITEM	PART LIST	SPARE QTY
Ⓐ	TABLE LEG SUPPORT 	2
Ⓑ	TABLE LEG Ⓐ 	2
Ⓒ	TABLE LEG Ⓒ 	2
Ⓓ	TABLE TOP 	1
Ⓔ	METAL LEG 	2
Ⓕ	METAL LEG SUPPORT 	2

## CODING

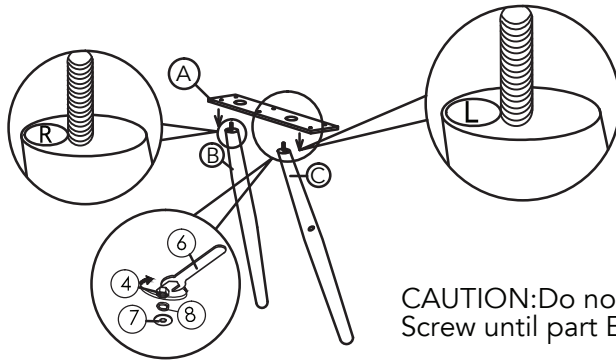
- 1409696
- 1409697
- 1409698
- 1469062
- 1469064
- 1469063



ISO 9001:2015  
Reg. No. 000435-1-MY-1-QMS

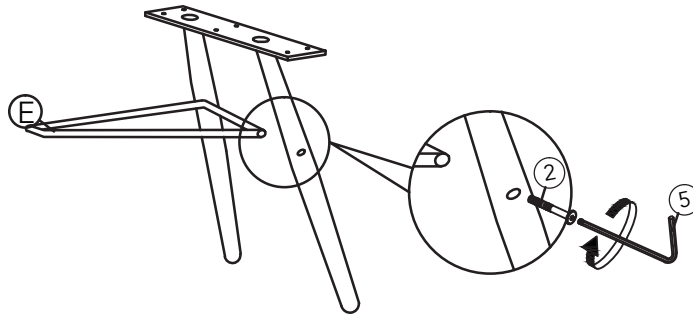
nesthouz.com

1



CAUTION: Do not fully tighten the screw until part E is fully tighten

2



3

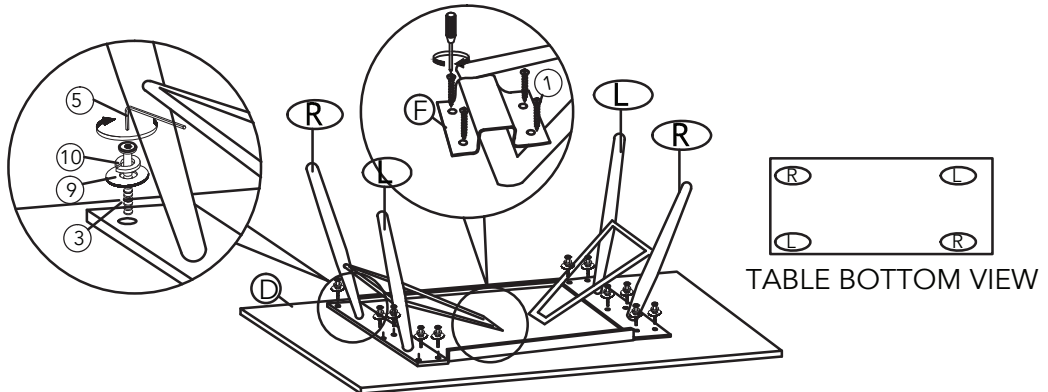


TABLE BOTTOM VIEW