

CODING
- 140033
- 140032

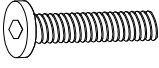









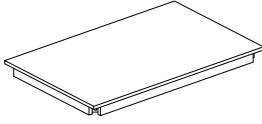
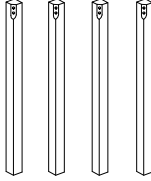
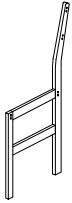
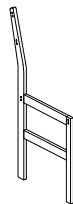
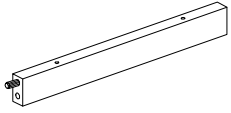
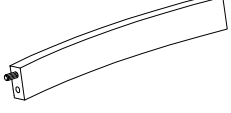
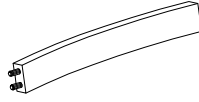
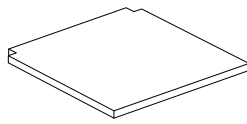
ISO 9001 : 2015
Reg. 000435-1-MY-1-QMS

nesthouz.com

Read the instruction carefully . Remove all the wrapping material staples and straps from the carton. Refer to the hardware and furniture part list for guidance. Be sure you have all part before you start assembling. Place all the wooden furniture part on a clean and flat surface, such as carpet or rubbermat to prevent scratches.

CAUTION
KEEP ALL THE PARTS OUT OF CHILDREN'S REACH.

ITEM	PHOTO	HARDWARE NAME	QTY
①		JCBB M8 x 60 mm	8
②		SPRING WASHER M8	8
③		FLAT WASHER M8	8
④		ALLEN KEY M5	1
⑤		JCBC M6 x 50 mm	4
⑥		BARREL NUT M6	24
⑦		CSK M4 x 30 mm	16
⑧		ALLEN KEY M4	1

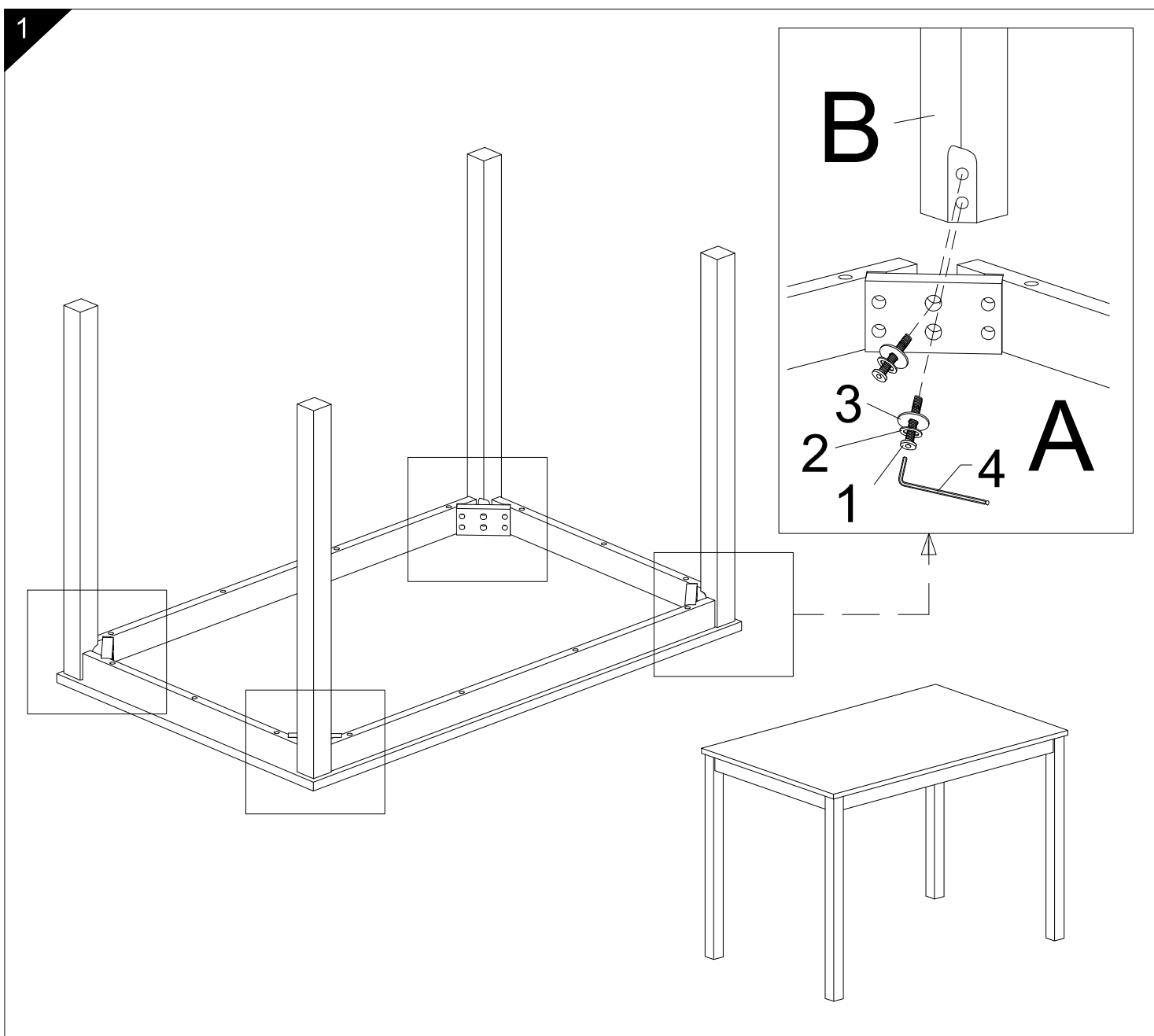
ITEM	PHOTO	PARTS NAME	QTY
Ⓐ		TABLE TOP	1
Ⓑ		TABLE LEG	4
Ⓒ		CHAIR LEFT FRAME	4
Ⓓ		CHAIR RIGHT FRAME	4
Ⓔ		CHAIR FRONT / BACK STRETCHER	8
Ⓕ		CHAIR BACK REST	4
Ⓖ		CHAIR BACK REST (SMALL)	4
Ⓗ		CHAIR SEAT PANEL	4

CODING
- 140033
- 140032



ISO 9001 : 2015
Reg. 000435-1-MY-1-QMS

nesthouz.com

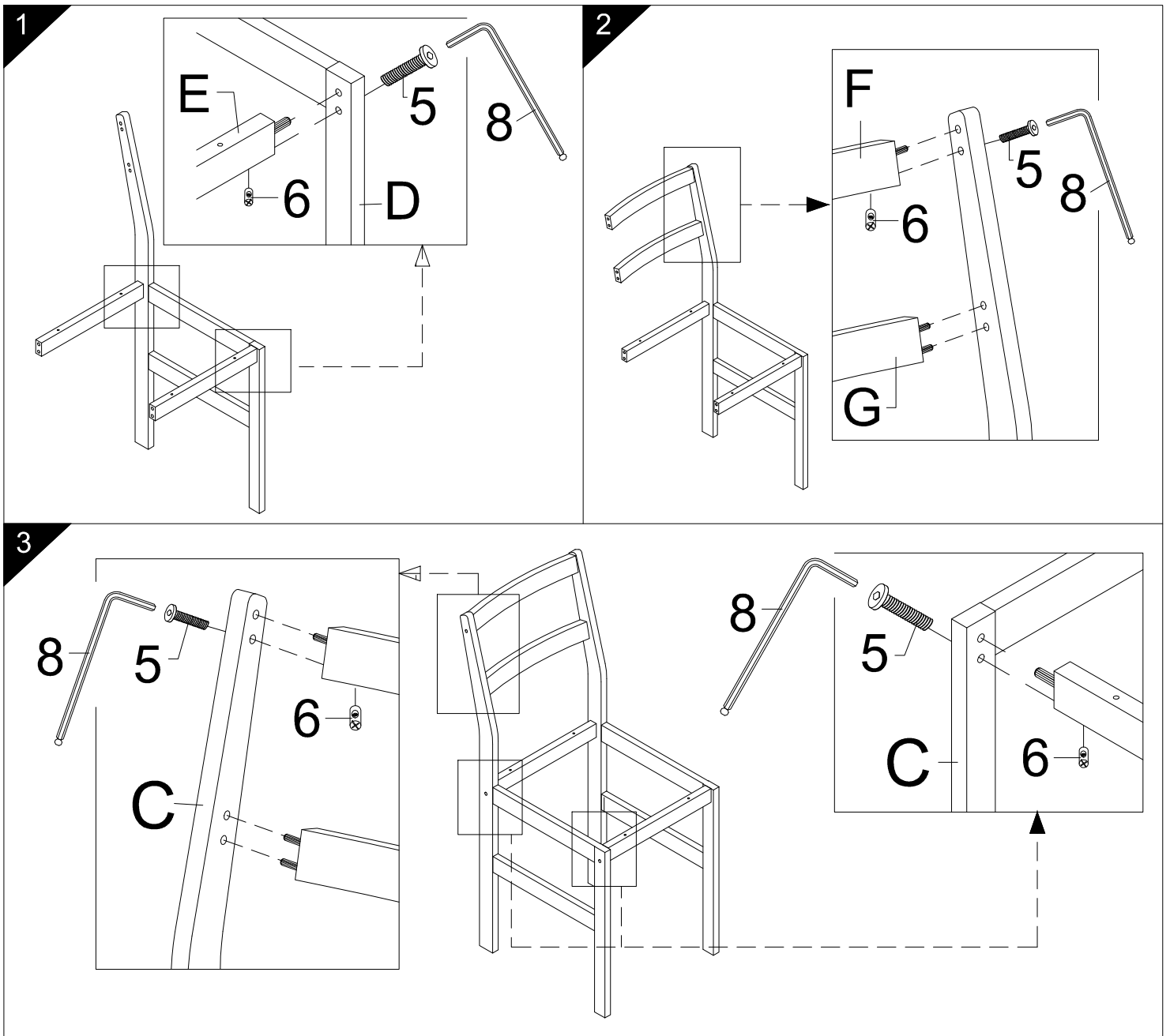


CODING
- 140033
- 140032



ISO 9001 : 2015
Reg. 000435-1-MY-1-QMS

nesthouz.com



CODING
- 140033
- 140032



ISO 9001 : 2015
Reg. 000435-1-MY-1-QMS

nesthouz.com

