

## CODING

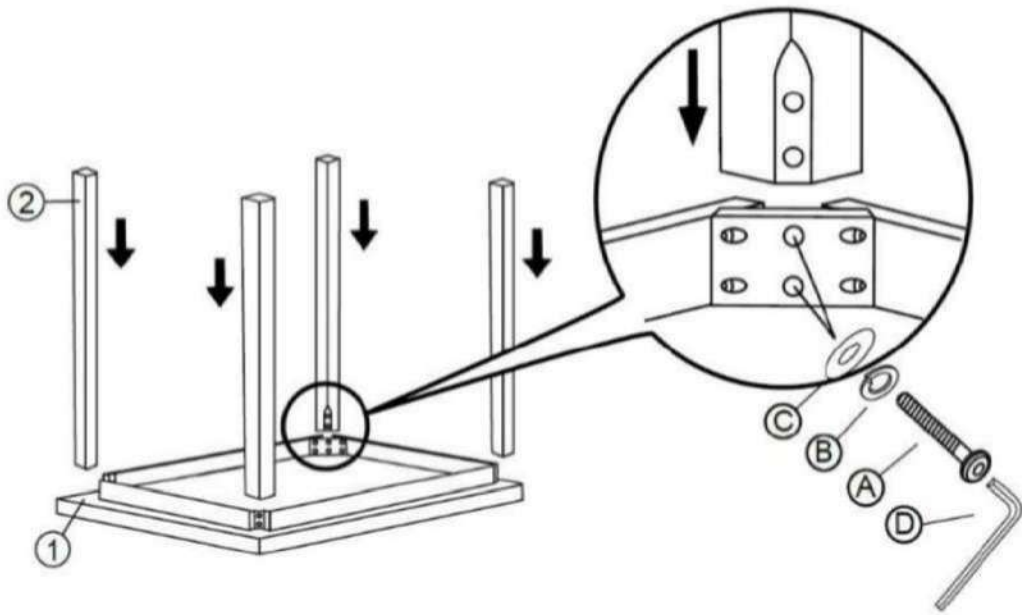
- 140010
- 140012
- 140026
- 140027



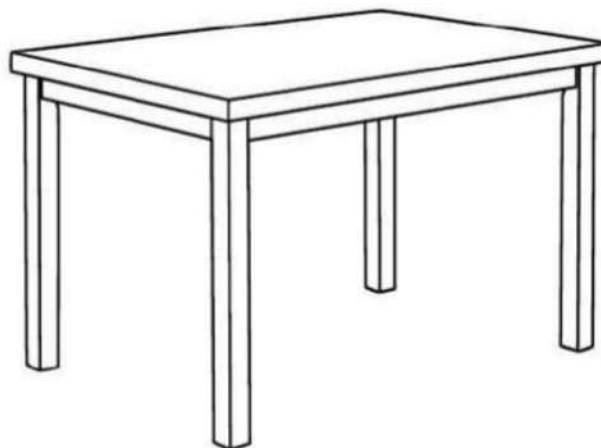
ISO 9001:2015  
Reg. No. 000435-1-MY-1-QMS

[nuhoom.com](http://nuhoom.com)

1

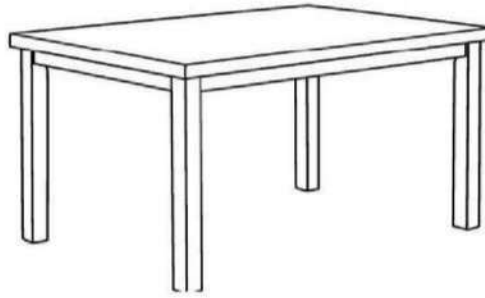


2



## CODING

- 140010
- 140012
- 140026
- 140027





ISO 9001:2015  
Reg. No. 000435-1-MY-1-QMS

**nuhoom.com**

Read the instructions carefully. Remove all the wrappings, staples and straps from the carton. Refer to the hardware and furniture part list for guidance. Make sure that you have all the parts before you start assembling. Place all the wooden furniture parts on a clean, flat and soft surface, such as a carpet or rubbermat to prevent scratches.

**CAUTION**  
KEEP ALL THE PARTS OUT OF CHILDREN'S REACH.

ITEM	PHOTO	PART LIST	QTY
1		TABLE TOP	1 PC
2		TABLE LEG	4 PCS

NO	PHOTO	HARDWARE LIST	QTY
A		JCBC SCREW	8 PCS
B		SPRING WASHER	8 PCS
C		FLAT WASHER	8 PCS
D		ALLEN KEY	1 PC

## CODING

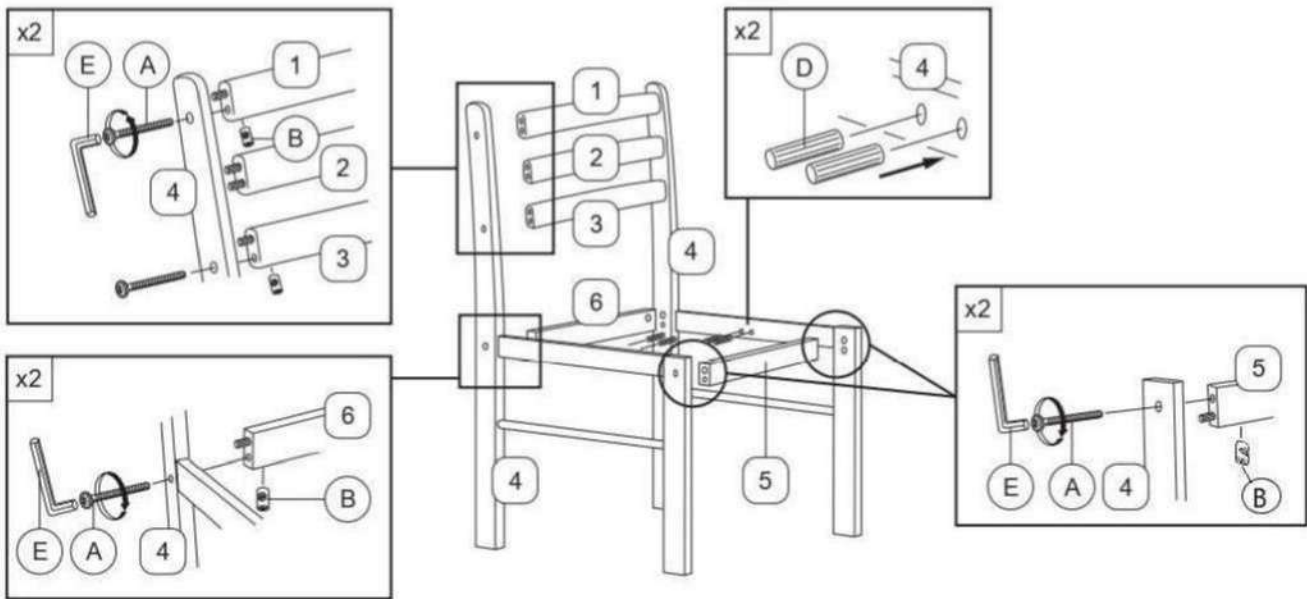
- 140010
- 140012
- 140026
- 140027



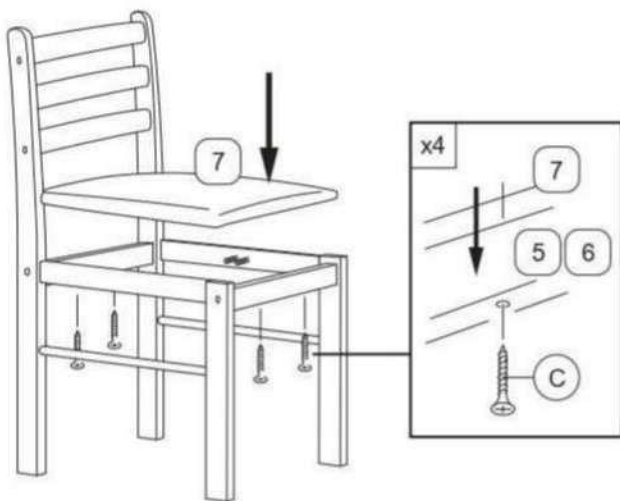
ISO 9001:2015  
Reg. No. 000435-1-MY-1-QMS

nuhoom.com

1



2



3



## CODING

- 140010
- 140012
- 140026
- 140027



ISO 9001:2015  
Reg. No. 000435-1-MY-1-QMS

**nuhoom.com**

Read the instructions carefully. Remove all the wrappings, staples and straps from the carton. Refer to the hardware and furniture part list for guidance. Make sure that you have all the parts before you start assembling. Place all the wooden furniture parts on a clean, flat and soft surface, such as a carpet or rubbermat to prevent scratches.

**CAUTION**  
KEEP ALL THE PARTS OUT OF CHILDREN'S REACH.

NO	PHOTO	HARDWARE LIST	QTY
A		JCBC BOLT M6 x 50	8
B		BARREL NUT	8
C		CHIPBOARD SCREW	4
D		WOOD DOWEL	4
E		ALLEN KEY	1

ITEM	PHOTO	PART LIST	QTY
1		BACKREST (1)	1
2		BACKREST (2)	1
3		BACKREST (3)	1
4		LEG FRAME	2
5		FRONT PANEL	1
6		BACK PANEL	1
7		CUSHION SEAT	1