

## CODING

- 140006
- 140007



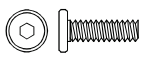


ISO 9001:2015  
Reg. No. 000435-1-MY-1-QMS

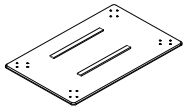
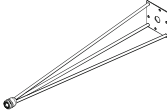
**LUOMA.COM**

Read the instruction carefully. Remove all the wrapping material, staples and straps from the carton. Refer to the hardware and furniture part list for guidance. Be sure that you have all the parts before you start assembling. Place all the wooden furniture part on a clean and flat soft surface, such as carpet or rubbermat to prevent from scratches.

## CAUTION

KEEP ALL THE PARTS OUT OF REACH OF CHILDREN.

ITEM	PHOTO	HARDWARE NAME	QTY
(A)		Bolts (1/4x15)	16
(B)		Flat washer(1/4x1.0)	16
(C)		Allen key 4mm	1

ITEM	PHOTO	PARTS NAME	QTY
(1)		Table Top	1
(2)		Leg	4

## CODING

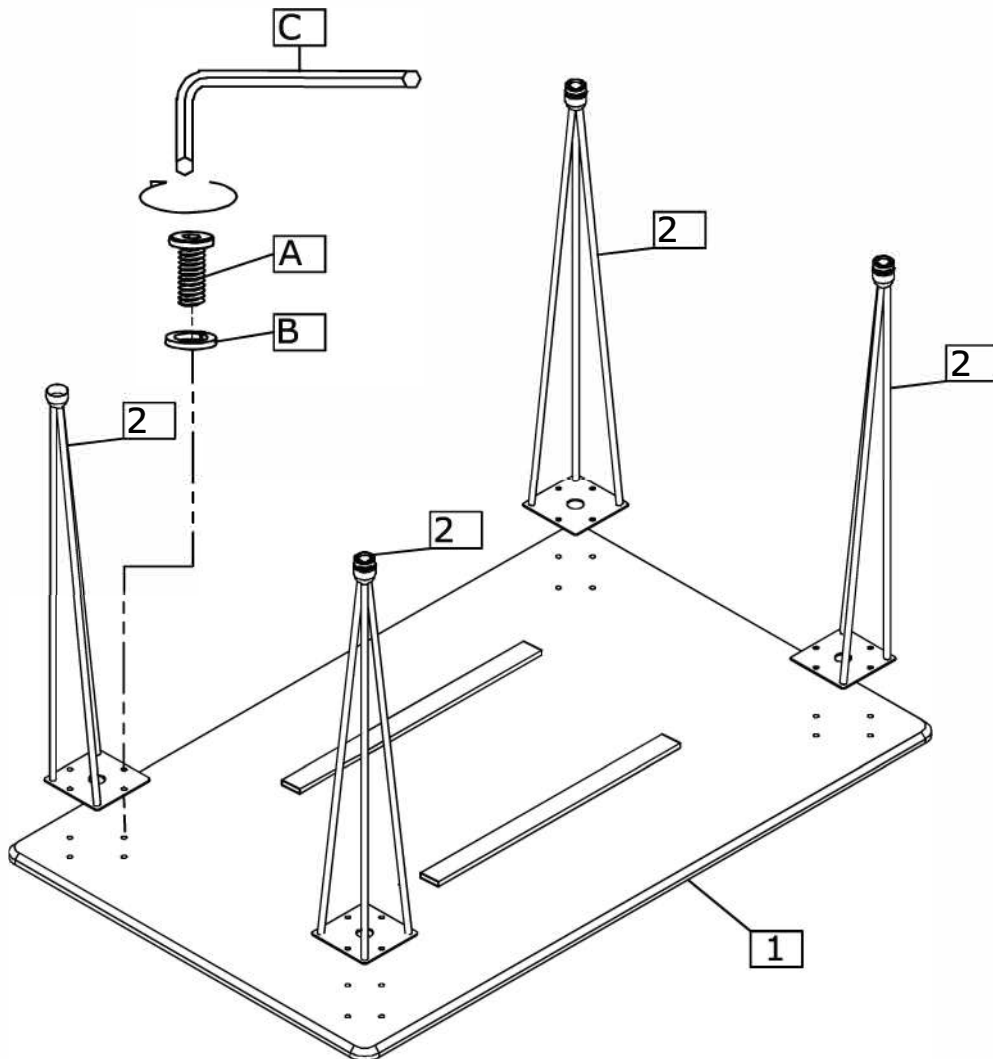
- 140006
- 140007



ISO 9001:2015  
Reg. No. 000435-1-MY-1-QMS

LUOMA.COM

1



## CODING

- 140006
- 140007



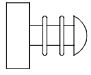






ISO 9001:2015  
Reg. No. 000435-1-MY-1-QMS




**LUOMA.COM**

Read the instruction carefully. Remove all the wrapping material, staples and straps from the carton. Refer to the hardware and furniture part list for guidance. Be sure that you have all the parts before you start assembling. Place all the wooden furniture part on a clean and flat soft surface, such as carpet or rubbermat to prevent from scratches.

## CAUTION

KEEP ALL THE PARTS OUT OF REACH OF CHILDREN.

ITEM	PHOTO	HARDWARE NAME	QTY
(A)		Foot cap	4
(B)		Plastic cover	4
(C)		Allen key 4mm	1
(D)		Plastic connector	4
(E)		Bolts (1/4x30)	4
(F)		Bolts (1/4x15)	1
(G)		Flat washer(1/4*1.0)	5

ITEM	PHOTO	PARTS NAME	QTY
(1)		Leg	1
(2)		Leg	1
(3)		Chair Back	1

## CODING

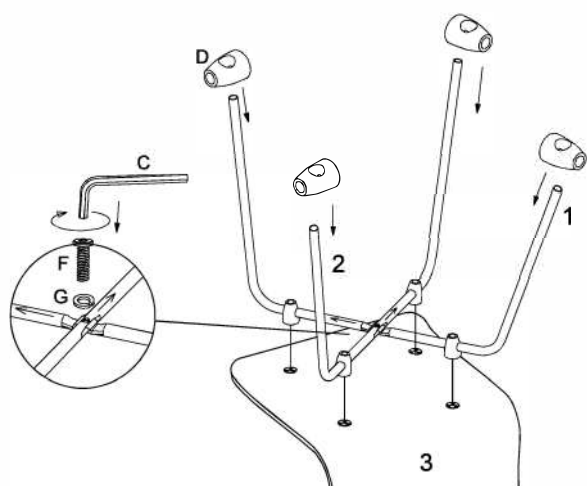
- 140006
- 140007



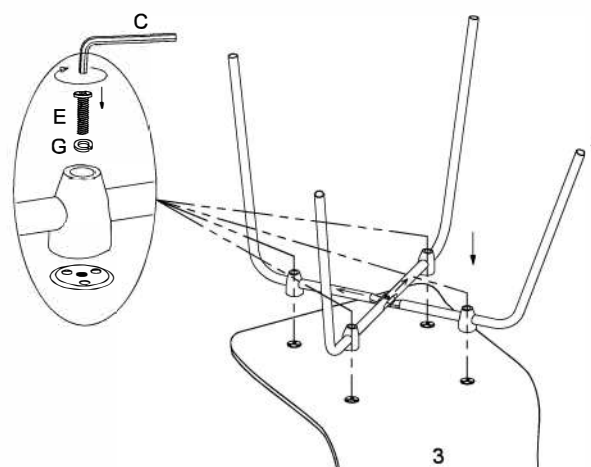
ISO 9001:2015  
Reg. No. 000435-1-MY-1-QMS

LUOMA.COM

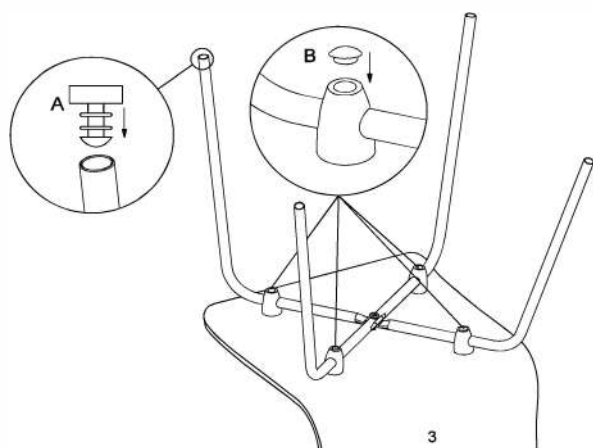
1



2



3



4

