

**CODING**  
- 134102






ISO 9001:2015  
Reg. No. 000435-1-MY-1-QMS

fyndfurniture.com

Read the instructions carefully. Remove all the wrappings, staples and straps from the carton. Refer to the hardware and furniture part list for guidance. Make sure that you have all the parts before you start assembling. Place all the wooden furniture parts on a clean, flat and soft surface, such as a carpet or rubbermat to prevent scratches.

**CAUTION**  
KEEP ALL THE PARTS OUT OF CHILDREN'S REACH.

ITEM	PHOTO	HARDWARE NAME	QTY
(A)		Pan Head Screw 5/25" x 1 1/2"	4
(B)		Handle 5 7/8" x 7/8" x 1 2/16"	2

ITEM	PHOTO	PARTS NAME	QTY
(1)		Coffee Table	1

REMARK: HARDWARE FIXED INSIDE DRAWER

# LEYTON

CODING  
- 134102

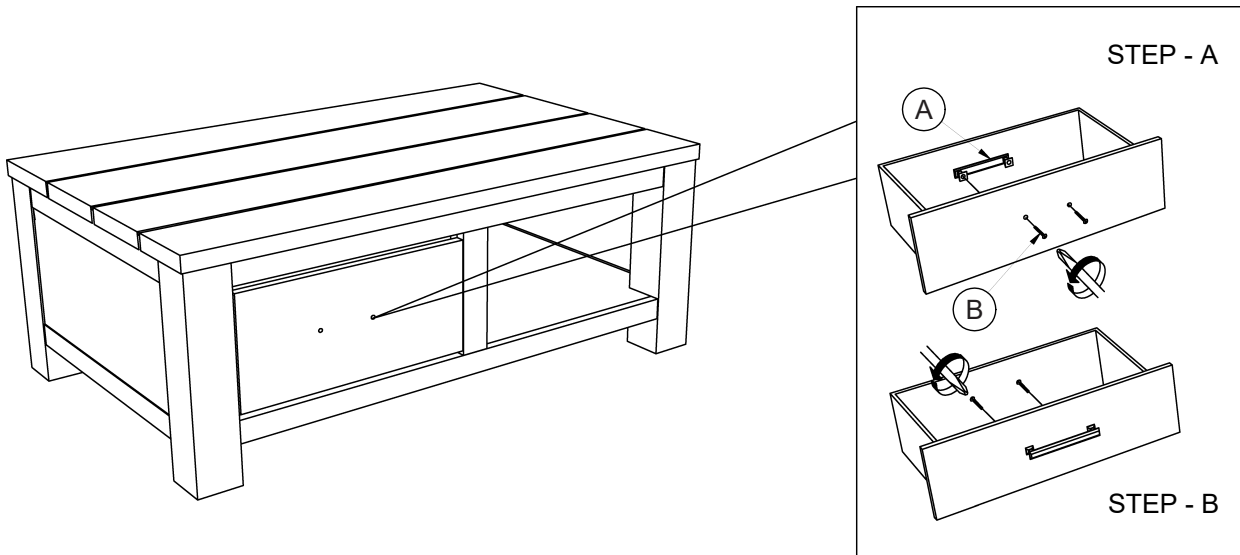


ISO 9001:2015  
Reg. No. 000435-1-MY-1-QMS

fyndfurniture.com

1

B



2

