

## CODING

- 134017
- 134018



ISO 9001:2015  
Reg. No. 000435-1-MY-1-QMS

LUooma.com

Read the instruction carefully. Remove all the wrapping material, staples and straps from the carton. Refer to the hardware and furniture part list for guidance. Be sure that you have all the parts before you start assembling. Place all the wooden furniture part on a clean and flat soft surface, such as carpet or rubbermat to prevent from scratches.

## CAUTION

KEEP ALL THE PARTS OUT OF REACH OF CHILDREN.

ITEM	PHOTO	HAREWARE NAME	QTY
(A)		Wooden dowel (8x35)	8
(B)		The cap of bolt (15x12)	22
(C)		Bolt (8x35)	22
(D)		Screw (4x15)	16
(E)		Screw (3.5x35)	12
(F)		Bolt (6.5x47)	4
(G)		Bolt (6x15)	4
(H)		Bolt (6x20)	8

ITEM	PHOTO	HAREWARE NAME	QTY
(I)		Bolt (6x50)	6
(J)		Allen key (4x70x50)	1
(K)		Spring pad (6x10x2)	8
(L)		Pad (6x14x2)	8
(M)		Slider	2
(N)		Pvc sticker (20x0.5)	1
(O)		Iron leg (590x195x41.5)	2

## CODING

- 134017  
- 134018



ISO 9001:2015  
Reg. No. 000435-1-MY-1-QMS

LUooma.com

ITEM	PHOTO	PARTS NAME	QTY
①		Top panel	1
②		Bottom panel	1
③		Left side	1
④		Right side	1
⑤		Middle side	1
⑥		Clapboard	2

ITEM	PHOTO	PARTS NAME	QTY
⑦		Drawer front	2
⑧		Drawer side left	2
⑨		Drawer side right	2
⑩		Drawer back	2
⑪		Drawer bottom	2
⑫		Iron tube	2

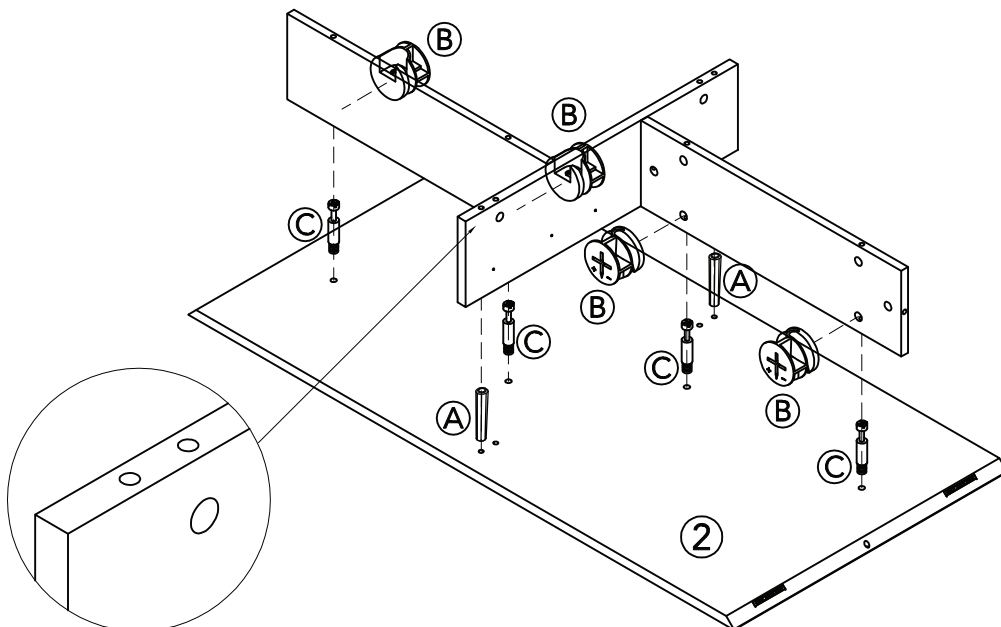
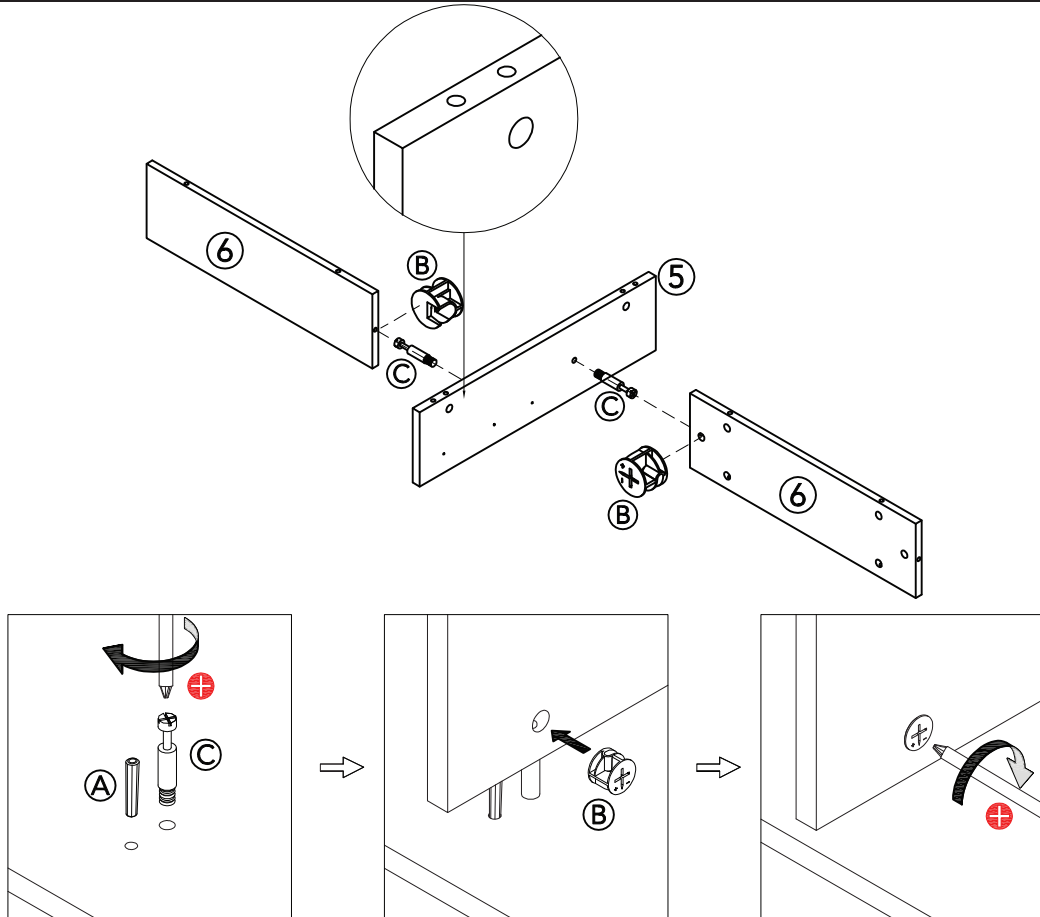
CODING  
- 134017  
- 134018



ISO 9001:2015  
Reg. No. 000435-1-MY-1-QMS

LUooma.com

1



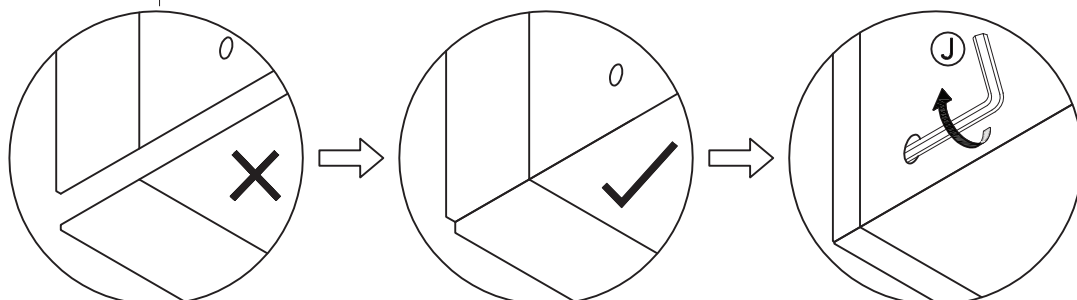
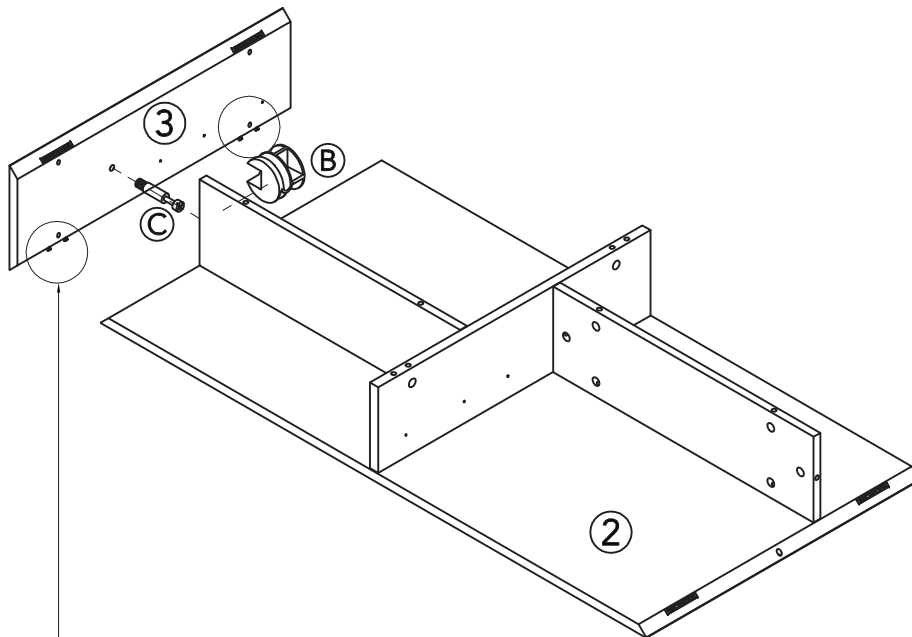
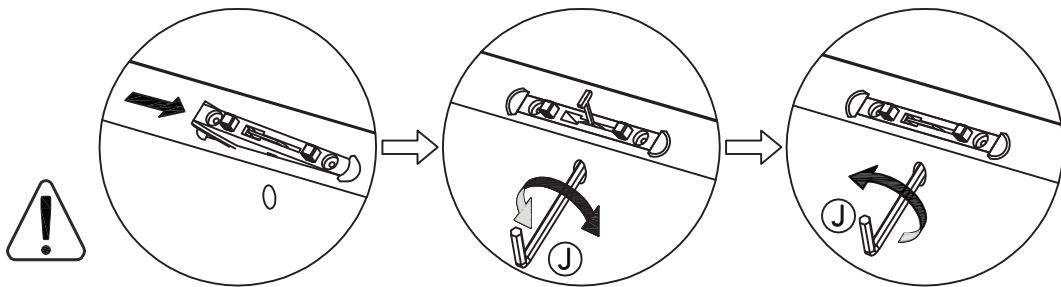
CODING  
- 134017  
- 134018



ISO 9001:2015  
Reg. No. 000435-1-MY-1-QMS

LUooma.com

2



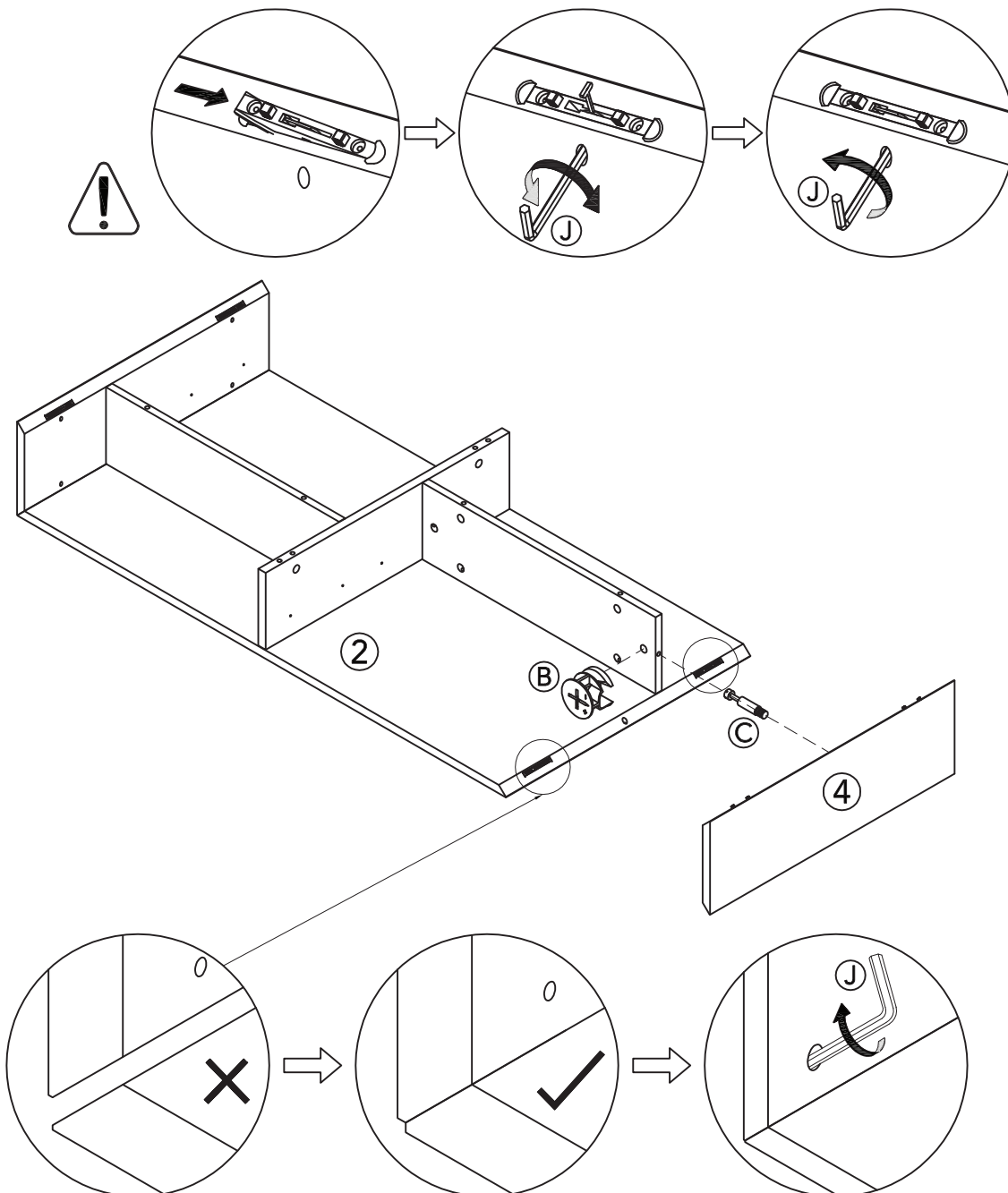
CODING  
- 134017  
- 134018



ISO 9001:2015  
Reg. No. 000435-1-MY-1-QMS

LUooma.com

3



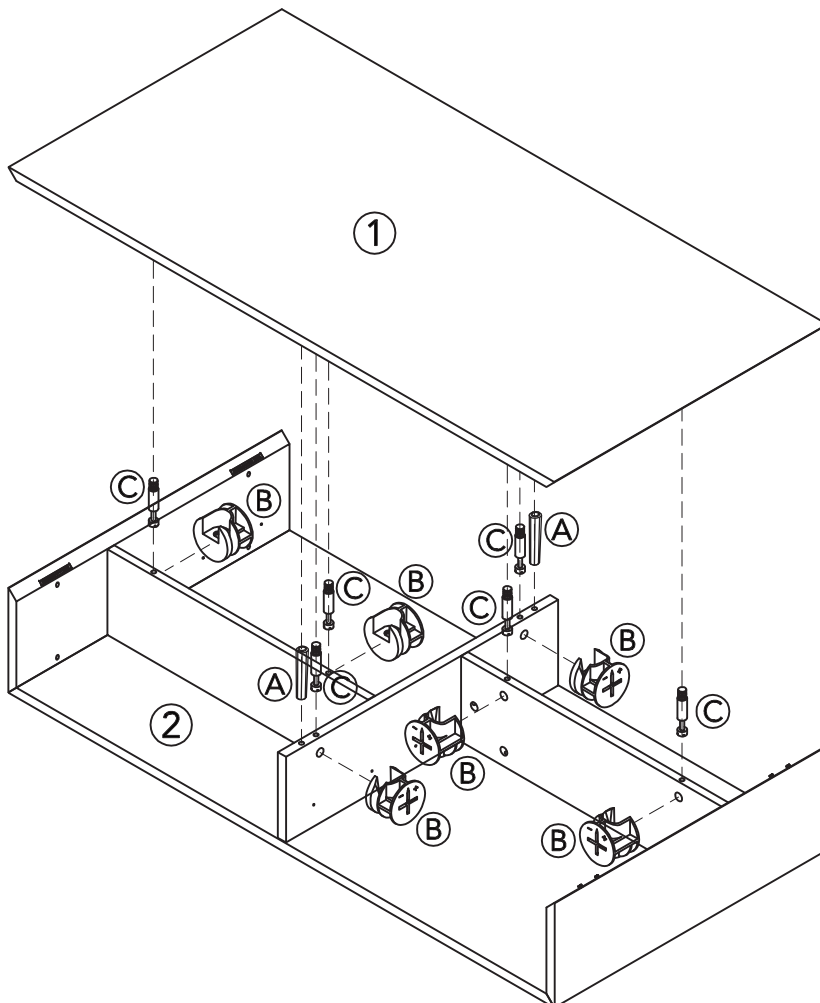
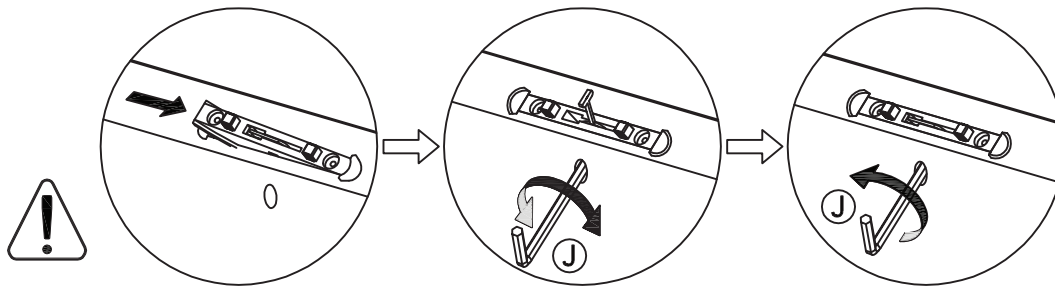
CODING  
- 134017  
- 134018



ISO 9001:2015  
Reg. No. 000435-1-MY-1-QMS

LUOMA.COM

4



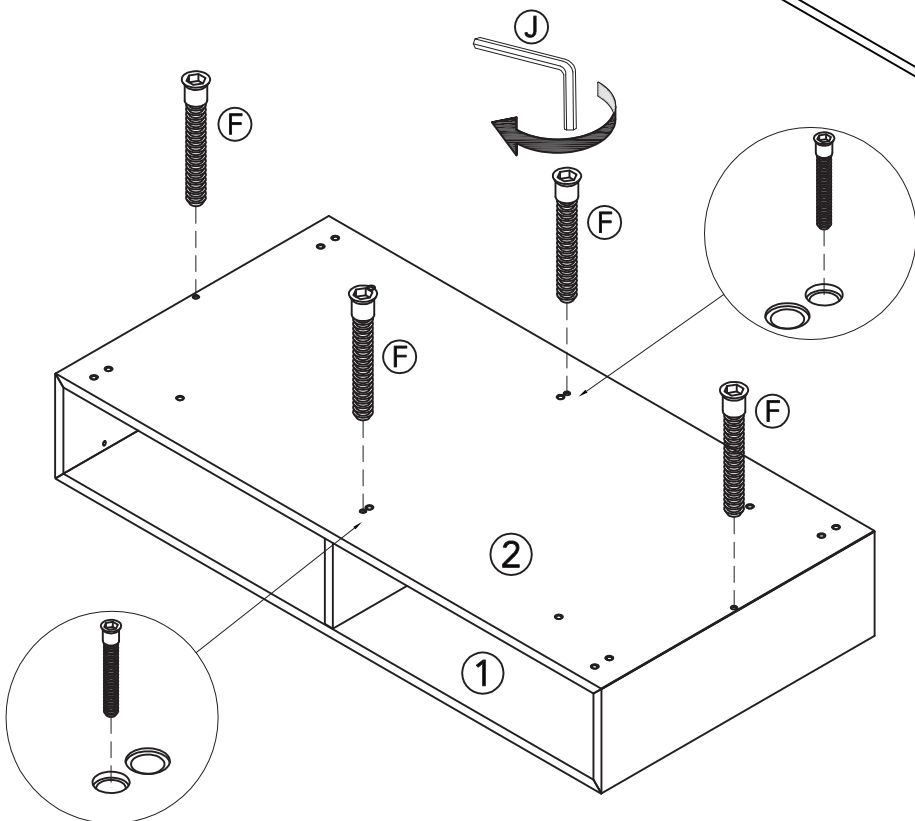
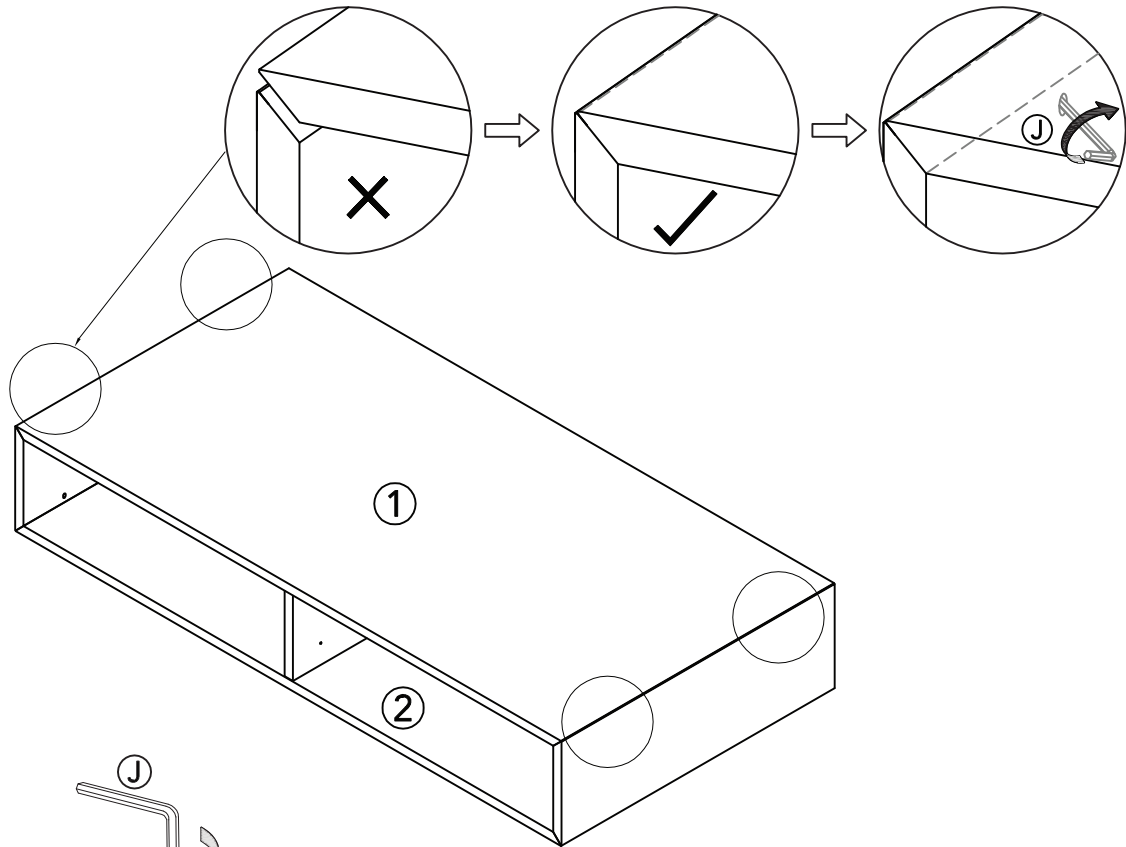
CODING  
- 134017  
- 134018



ISO 9001:2015  
Reg. No. 000435-1-MY-1-QMS

LUooma.com

5



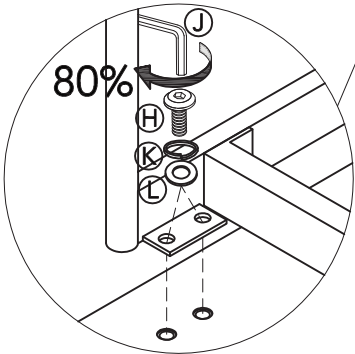
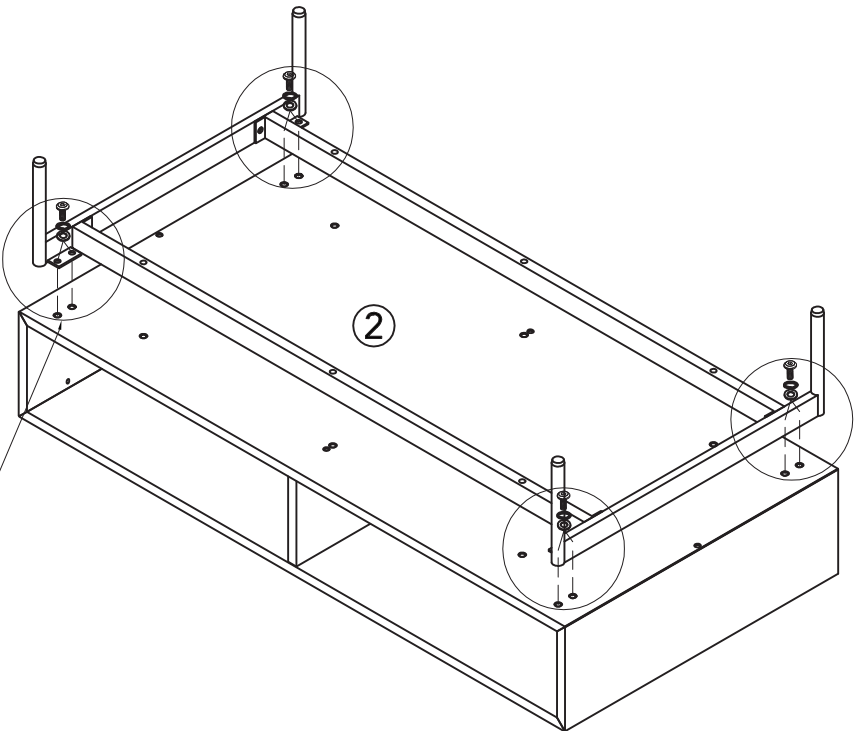
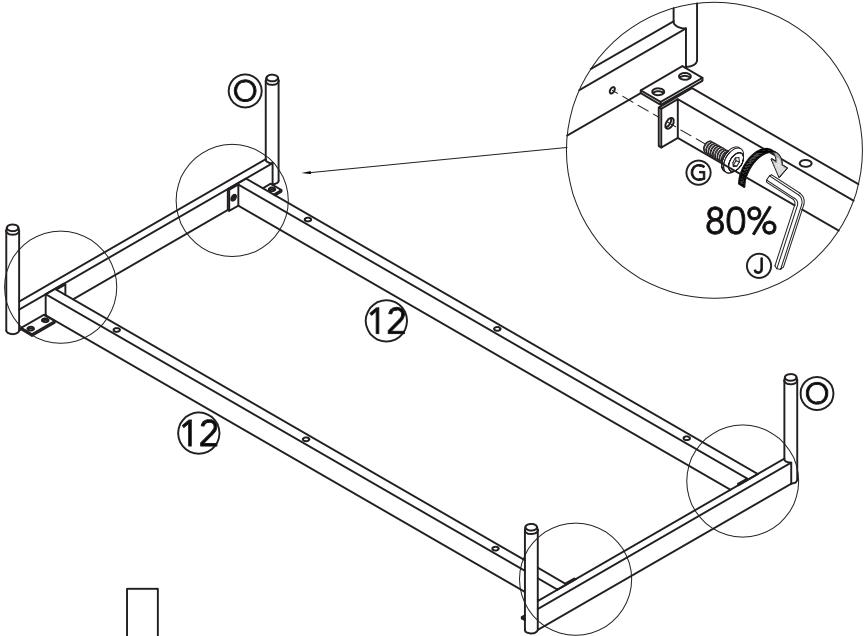
CODING  
- 134017  
- 134018



ISO 9001:2015  
Reg. No. 000435-1-MY-1-QMS

LUooma.com

6



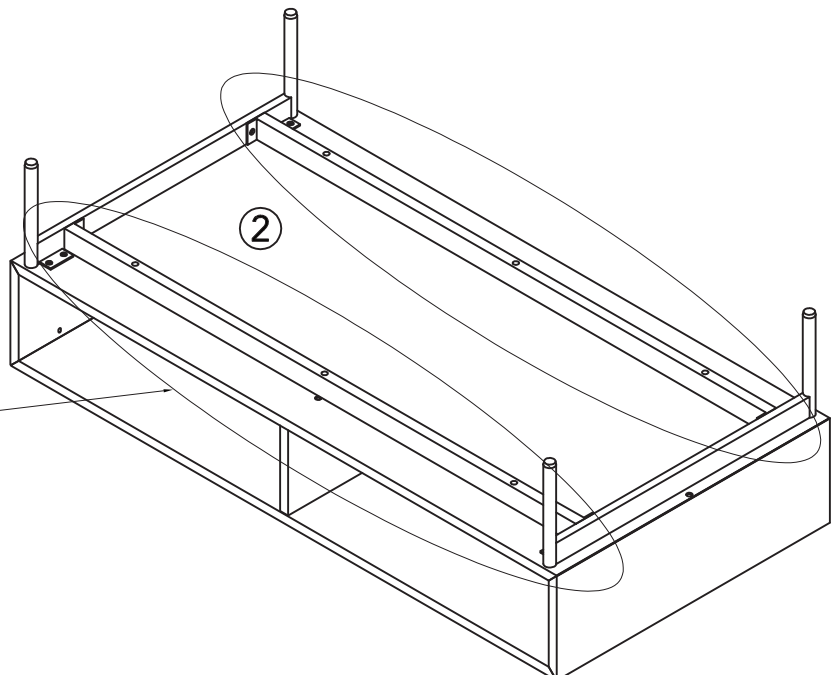
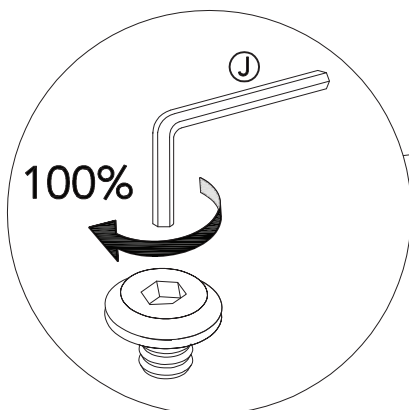
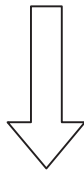
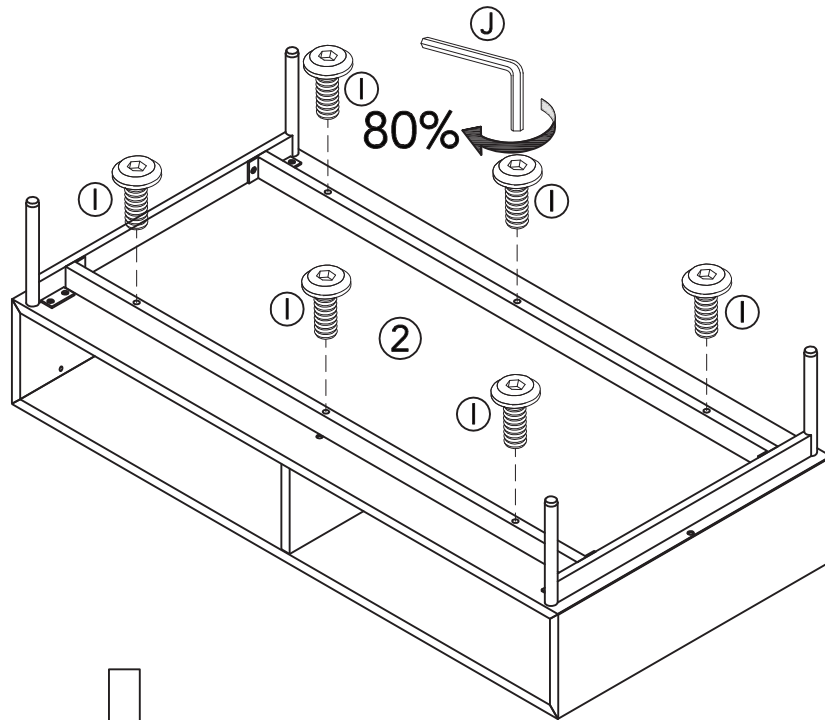
CODING  
- 134017  
- 134018



ISO 9001:2015  
Reg. No. 000435-1-MY-1-QMS

LUooma.com

7



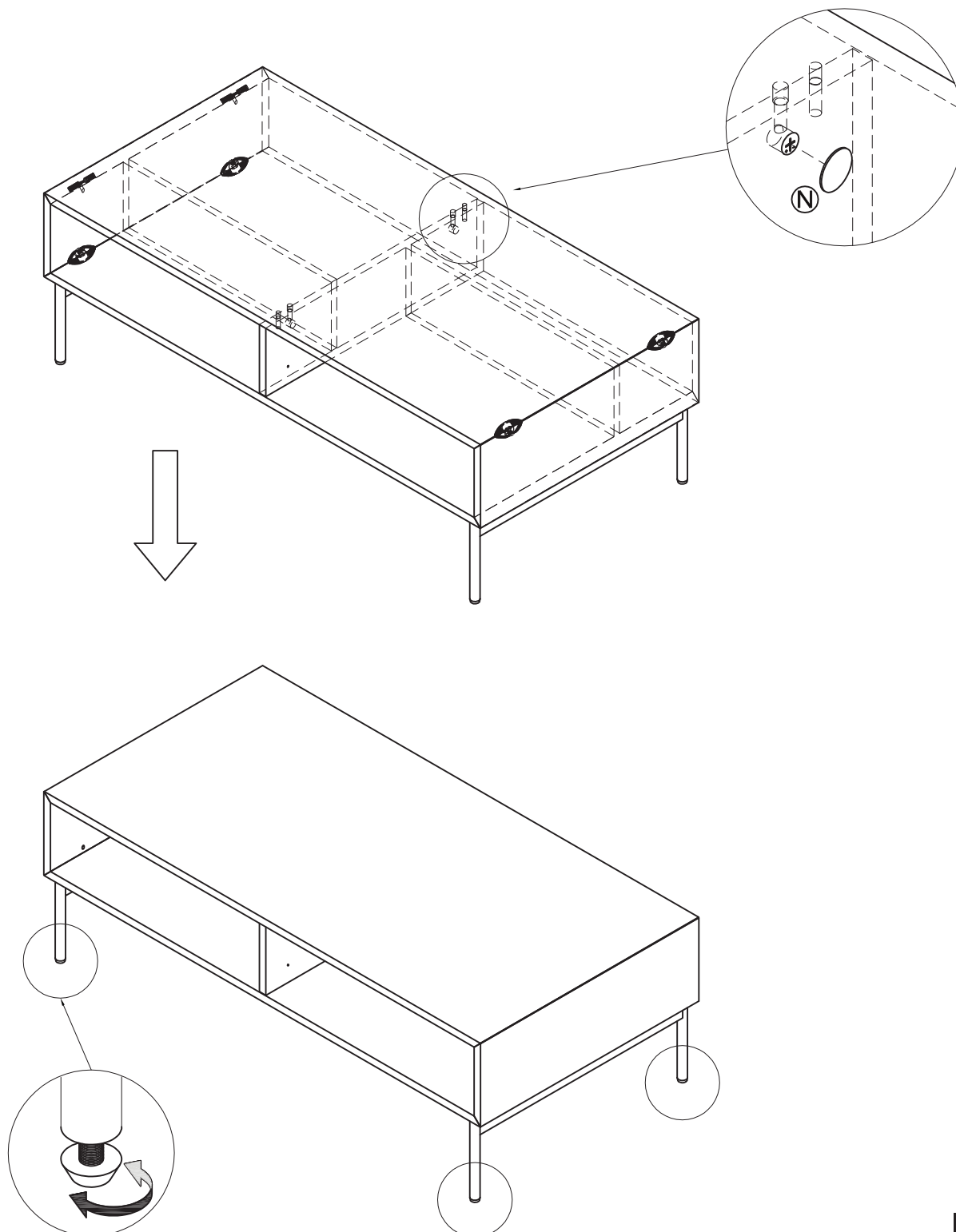
CODING  
- 134017  
- 134018



ISO 9001:2015  
Reg. No. 000435-1-MY-1-QMS

LUOMA.COM

8



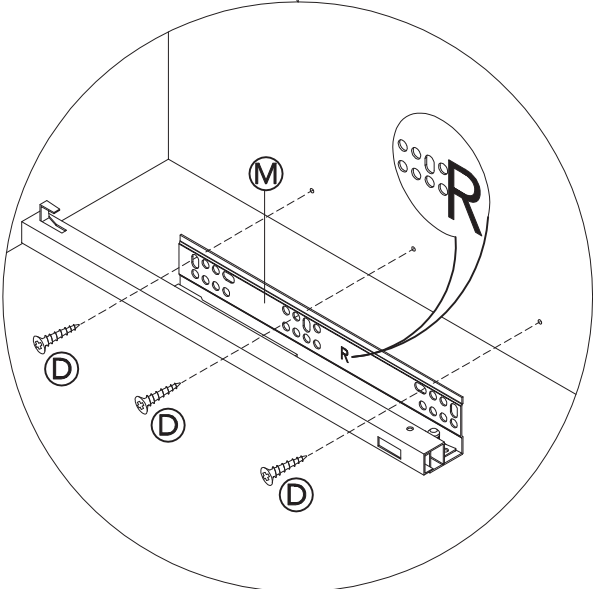
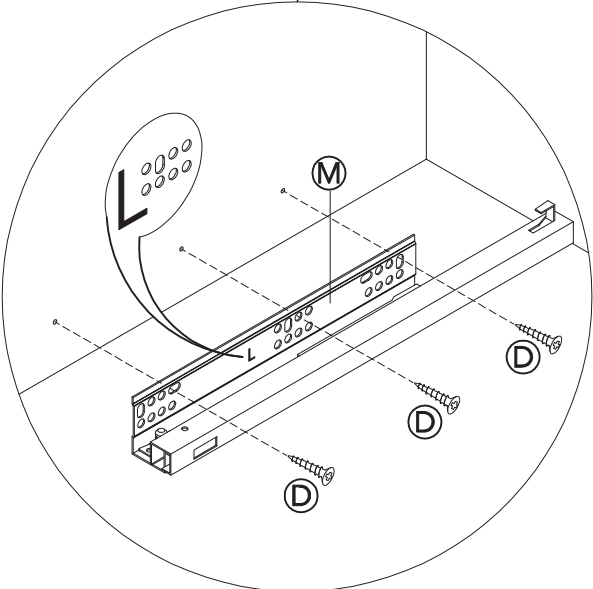
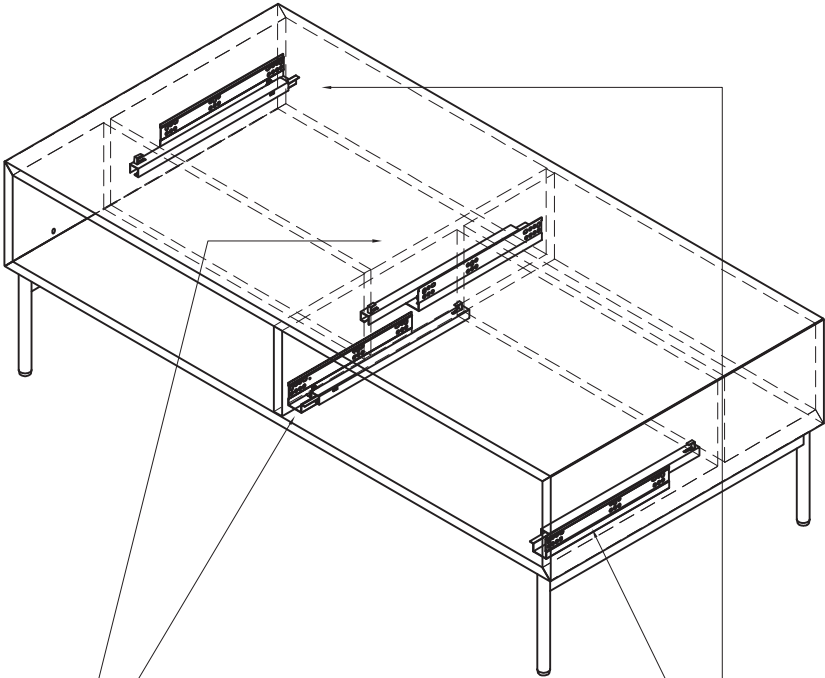
CODING  
- 134017  
- 134018



ISO 9001:2015  
Reg. No. 000435-1-MY-1-QMS

LUOMA.COM

9



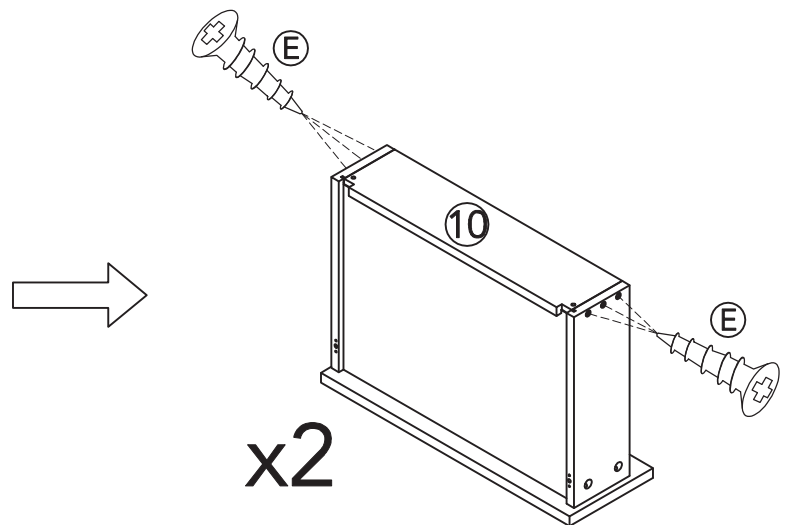
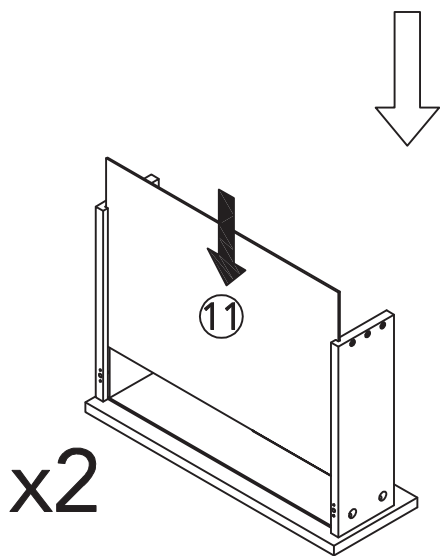
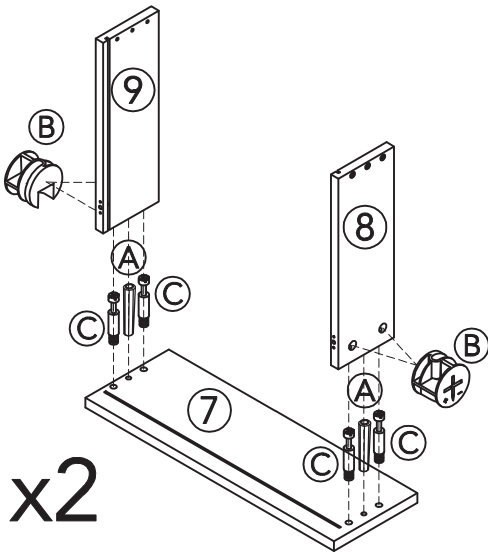
CODING  
- 134017  
- 134018



ISO 9001:2015  
Reg. No. 000435-1-MY-1-QMS

LUOMA.COM

10



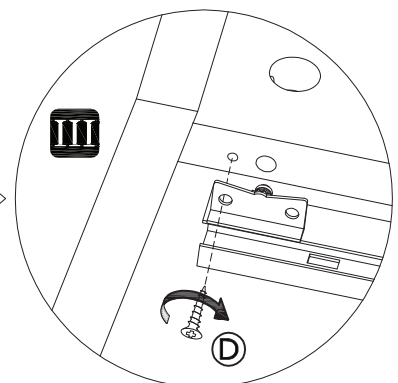
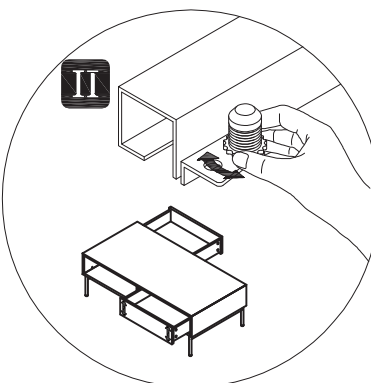
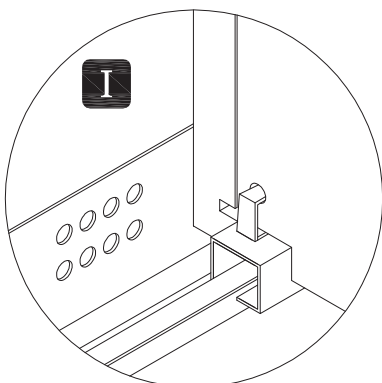
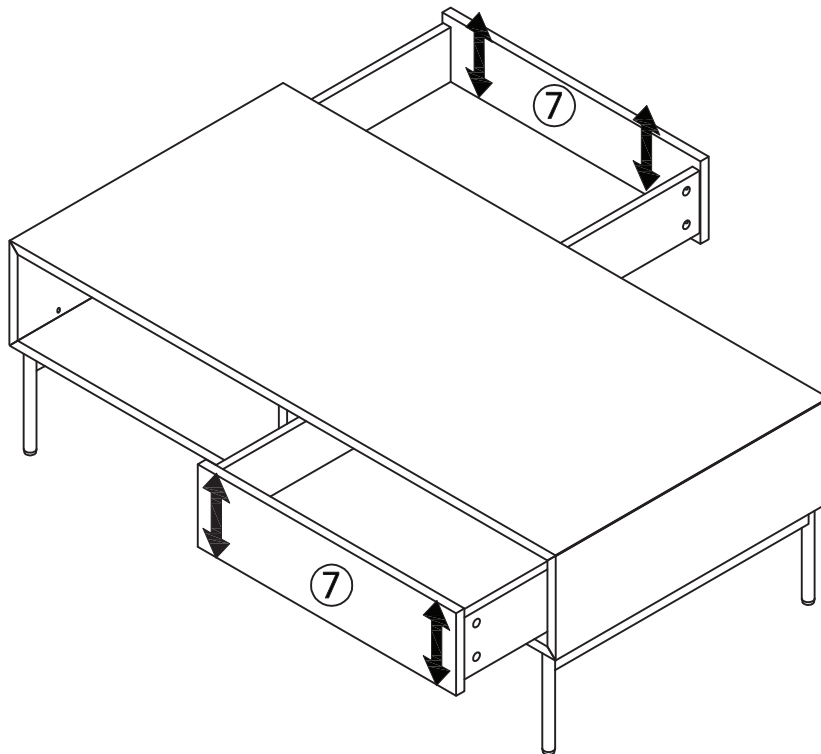
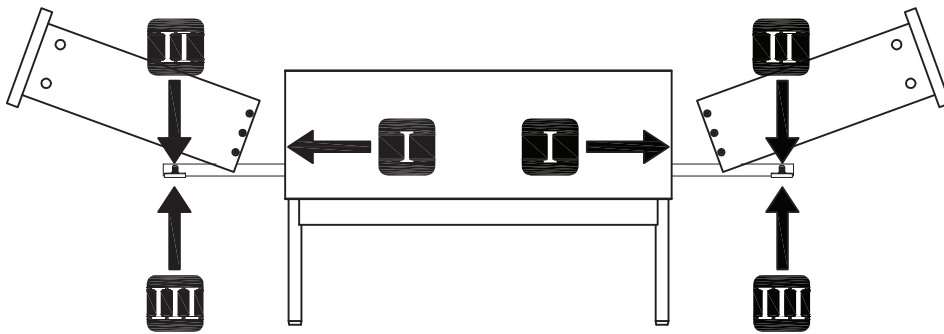
CODING  
- 134017  
- 134018



ISO 9001:2015  
Reg. No. 000435-1-MY-1-QMS

LUooma.com

11



## CODING

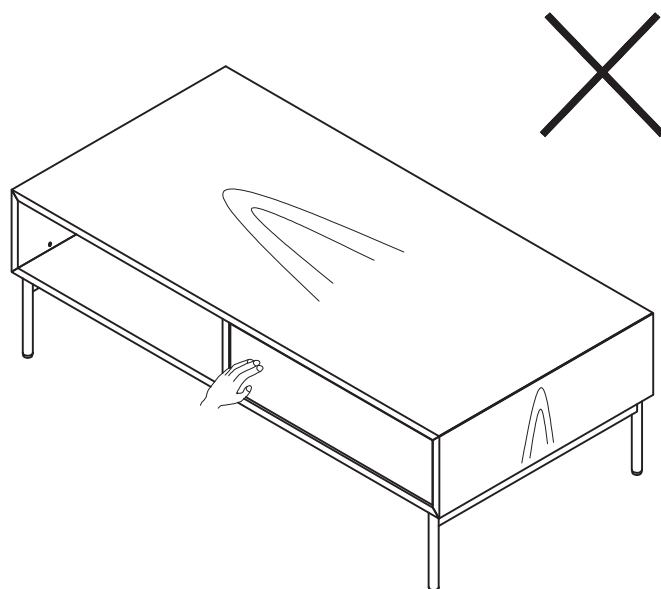
- 134017
- 134018



ISO 9001:2015  
Reg. No. 000435-1-MY-1-QMS

LUooma.com

12



13

