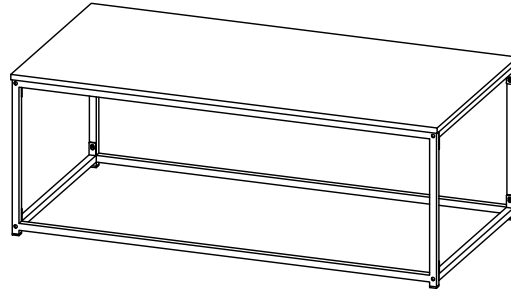


**CODING**  
- 134093



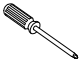
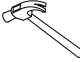
ISO 9001:2015  
Reg. No. 00505-1-INT-1-QMS





nuhoom.com

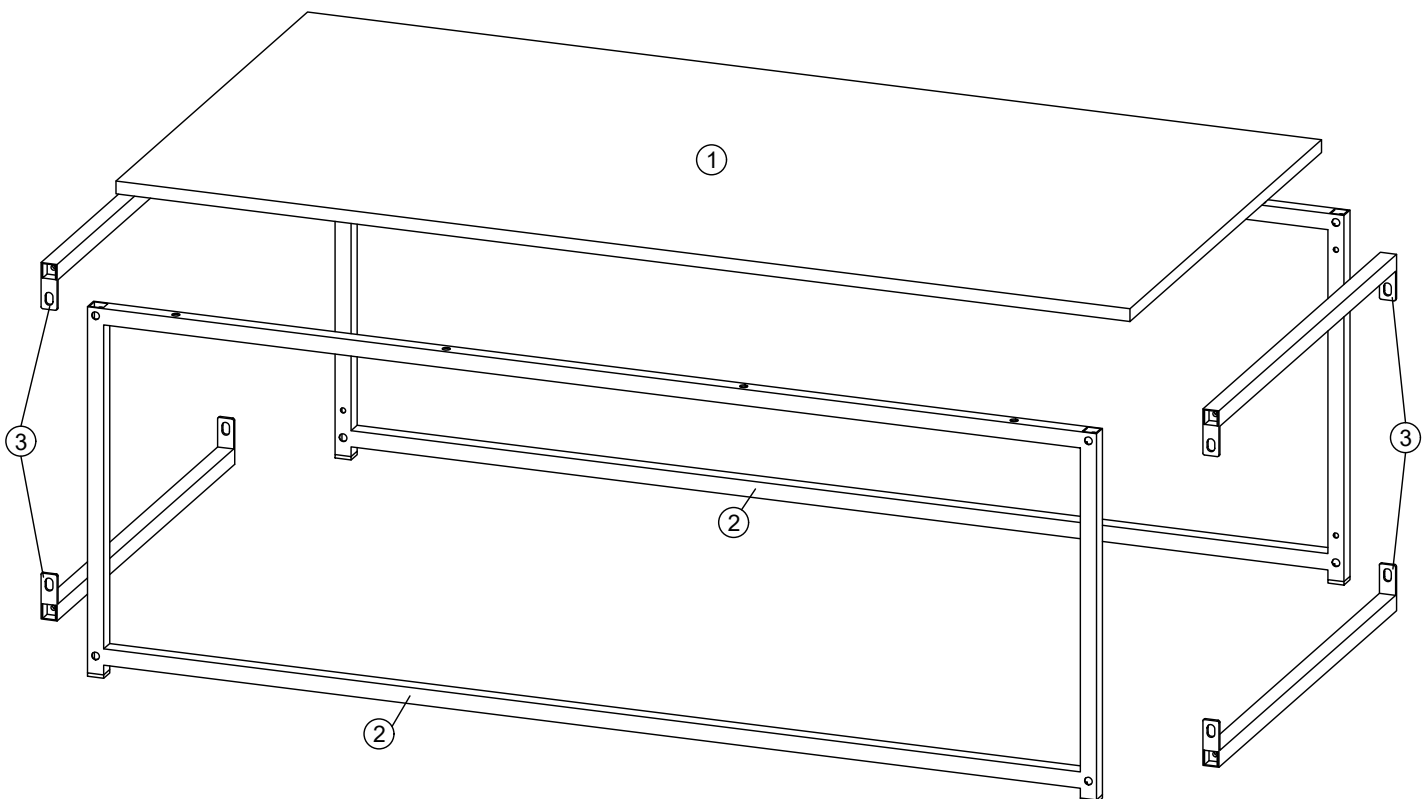
Read the instructions carefully. Remove all the wrappings, staples and straps from the carton. Refer to the hardware and furniture part list for guidance. Make sure that you have all the parts before you start assembling. Place all the wooden furniture parts on a clean, flat and soft surface, such as a carpet or rubbermat to prevent scratches.

**CAUTION**  
KEEP ALL THE PARTS OUT OF CHILDREN'S REACH.

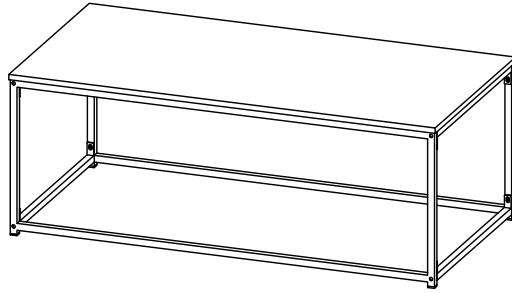
PART LIST		QTY
1	TOP PANEL	1 PC
2	METAL SIDE	2 PCS
3	METAL SUPPORT	4 PCS

SELF-PREPARED TOOLS: Tools below are NOT included in package.	
	SCREWDRIVER
	HAMMER

HARDWARE			
A	ALLEN KEY M4		1 PC
B	JCBC Screw M6 x 20MM		8 PCS
C	JCBC SCREW M6 X 30MM		8 PCS
D	JCBC SCREW M6 X 40MM		8 PCS



CODING  
- 134093



ISO 9001:2015  
Reg. No. 020-05-1-MF-1-QMS

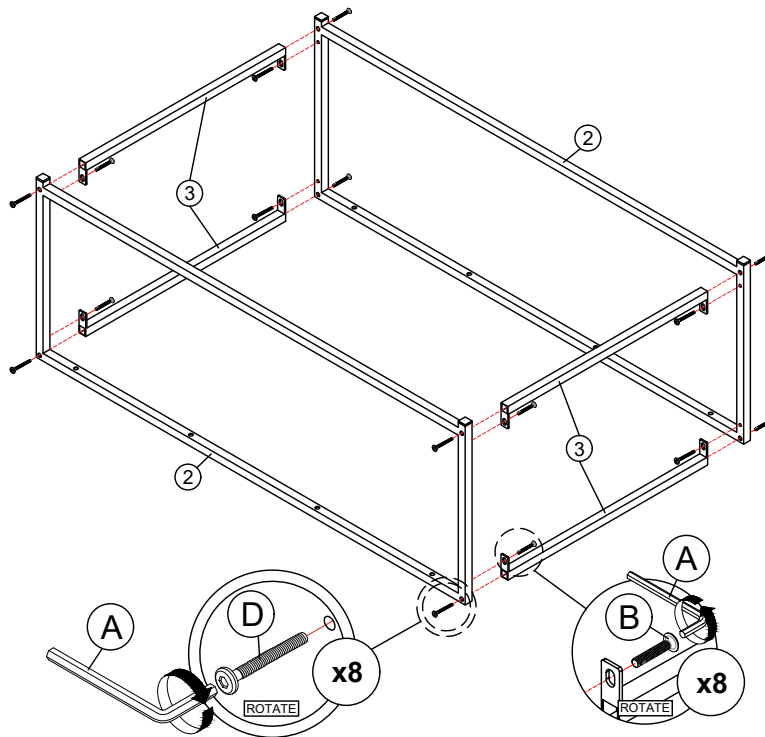
nuhoom.com

### STEP 1

Connect Metal Side (2) to Metal Support (3) by using hardware A, B and D.  
(Repeat 16 times.)

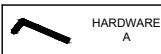


HARDWARE  
A



### STEP 2

Connect Metal Side (2) to Metal Support (3) by using hardware A and C.  
(Repeat 8 times.)



HARDWARE  
A

