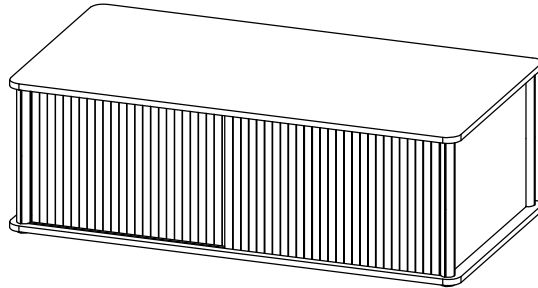


CODING
- 133149



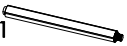

ISO 9001:2015
Reg. No. 00045-1-MY-1-QMS

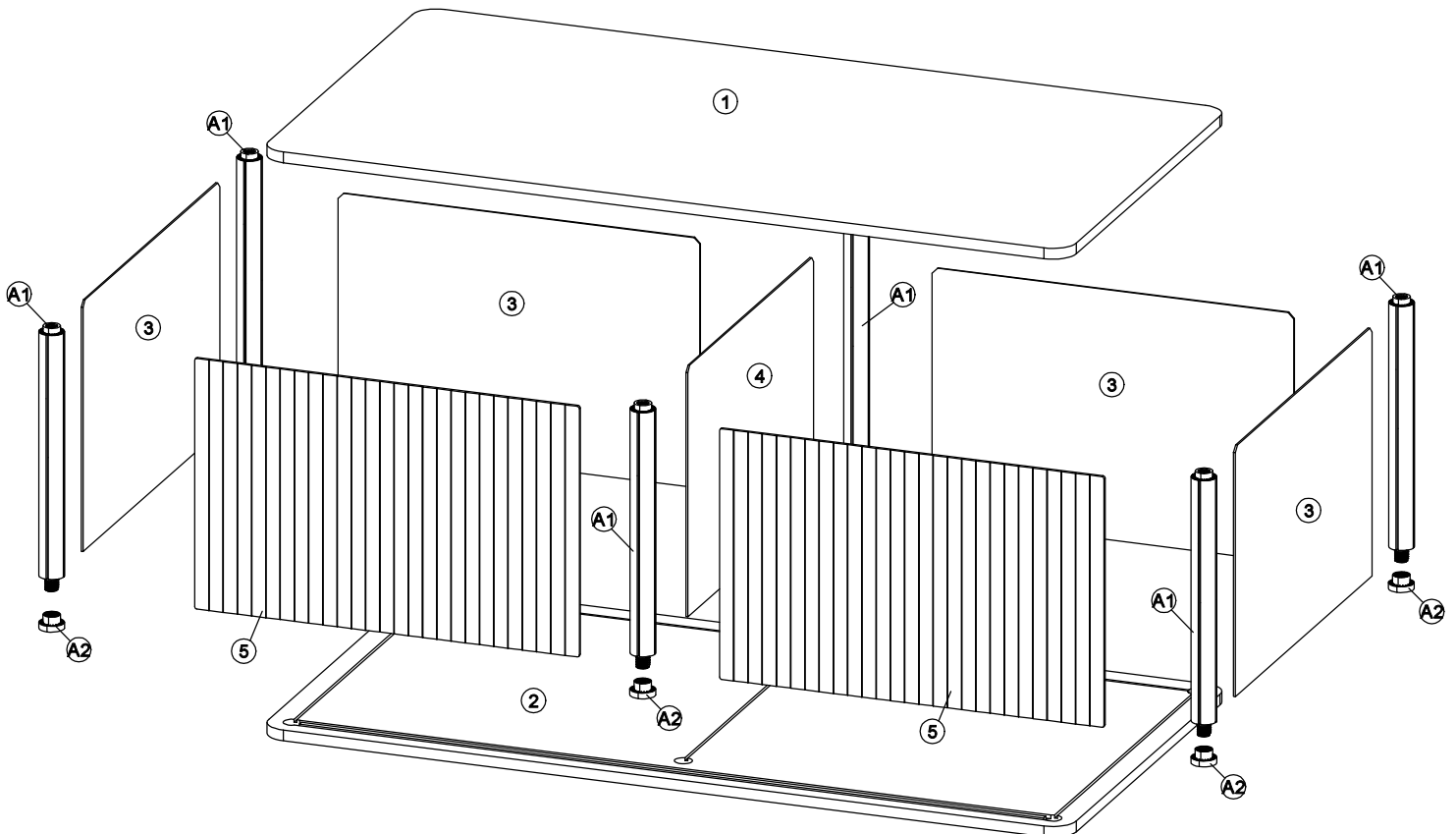
nuhoom.com

Read the instructions carefully. Remove all the wrappings, staples and straps from the carton. Refer to the hardware and furniture part list for guidance. Make sure that you have all the parts before you start assembling. Place all the wooden furniture parts on a clean, flat and soft surface, such as a carpet or rubbermat to prevent scratches.

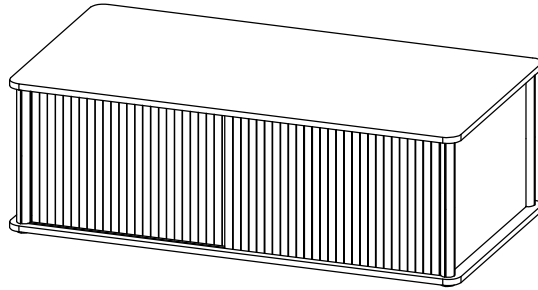
CAUTION
KEEP ALL THE PARTS OUT OF CHILDREN'S REACH.

PART LIST		QTY
1	TOP PANEL	1 PC
2	BOTTOM PANEL	1 PC
3	SIDE PANEL	4 PCS
4	CENTER PANEL	1 PC
5	DOOR PANEL	2 PCS

HARDWARE			
A	LONG POLE	A1 	A2 
			6 SETS



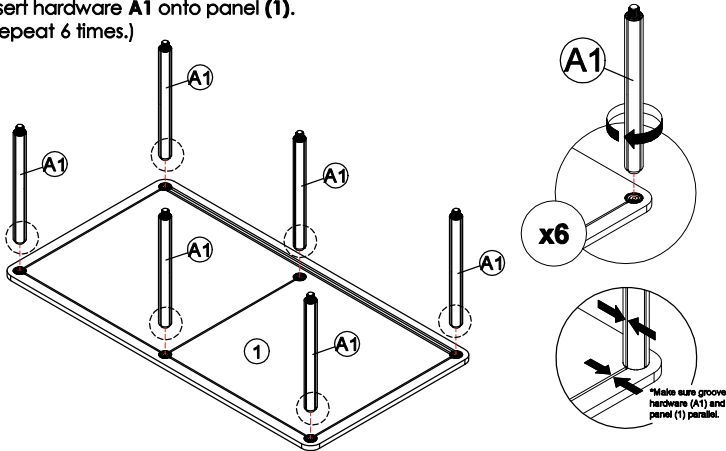
CODING
- 133149



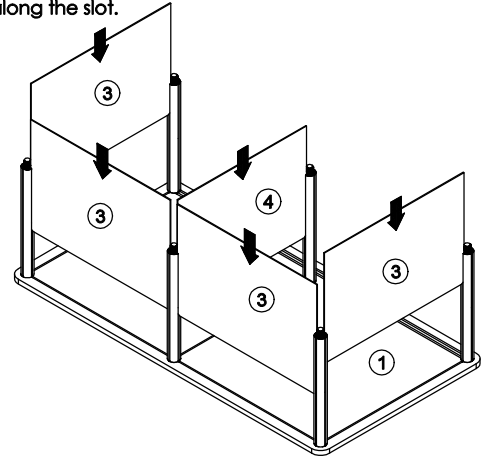
ISO 9001:2015
Reg. No. 00043-1-017-1-QMS

nuhoom.com

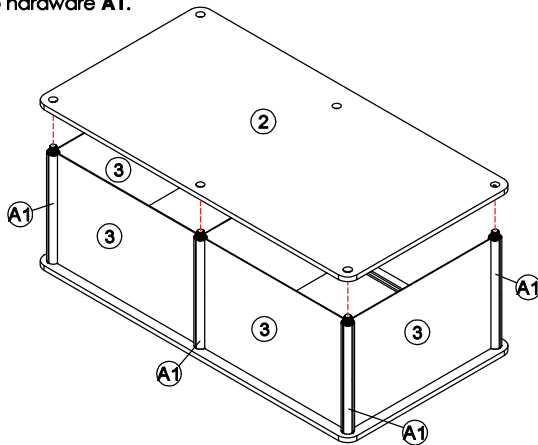
STEP 1
Insert hardware **A1** onto panel **(1)**.
(Repeat 6 times.)



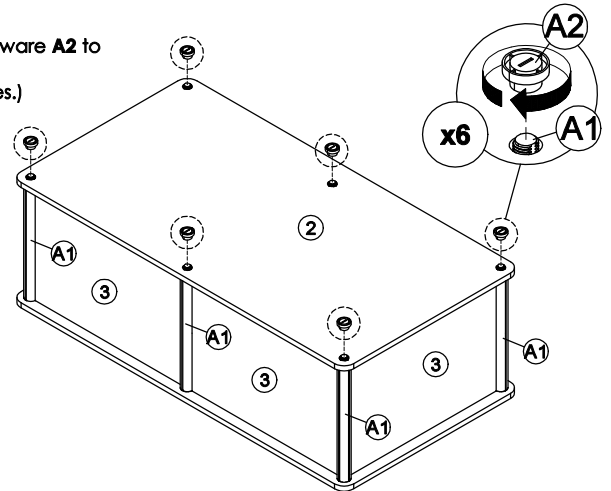
STEP 2
Insert the panel **(3)** and **(4)** along the slot.



STEP 3
Connect panel **(2)** to hardware **A1**.



STEP 4
Connect hardware **A2** to hardware **A1**.
(Repeat 6 times.)



STEP 5
- Insert one door in the back groove & another door into front groove.
- Insert the panel **(5)** in the top groove first, then enter through the bottom groove.

