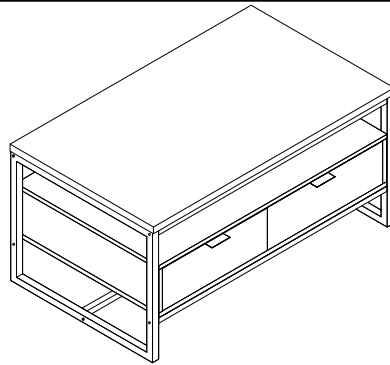


CODING
-133104



ISO 9001: 2015
Reg. No. 0004354-AY-1-QMS

LUOMA.COM

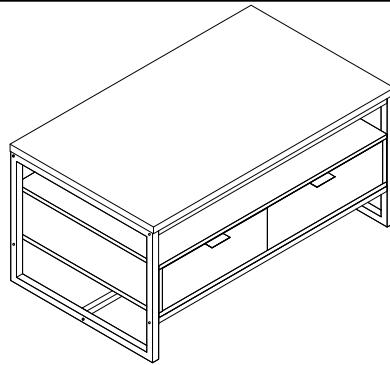
Read the instructions carefully. Remove all the wrappings , staples and straps from the carton. Refer to the hardware and furniture part list for guidance. Make sure that you have all the parts before you start assembling. Place all the wooden furniture parts on a clean, flat and soft surface, such as a carpet or rubbermat to prevent scratches.

CAUTION
KEEP ALL THE PARTS OUT OF CHILDREN'S REACH.

ITEM	PHOTO	HARDWARE NAME	QTY
(A)		Allen Key M4	1
(B)		Plastic Dowel	18
(C)		JCBC W Screw M6x40	6
(D)		JCBC Screw M6x50 Spring+Flat Washer	10
(E)		Mini Fix Bolt	9
(F)		Mini Fix Housing	9
(G)		Mini Fix Cap	9
(H)		CSK Screw M4x32mm	12
(I)		CSK Screw M4x50mm	16
(J)		CSK Screw M3.5x16mm	28
(K)		14" Drawer Slide	2
(L)		Handle	2

ITEM	PHOTO	PART NAME	QTY
(1)		Small Top Panel	1
(2)		Left Side Panel	1
(3)		Middle Support Panel	1
(4)		Right Side Panel	1
(5)		Back Support Panel	1
(6)		Bottom Panel	1
(7)		Drawer Front Panel(L/R)	2
(8)		Drawer Back Panel	2
(9)		Drawer Side Panel	4
(10)		Drawer Bottom Panel	2
(11)		Big Top Panel	1
(12)		Metal Frame Legs	2
(13)		Metal Support Legs	2
(14)		Metal Center Legs	2
(15)		Metal Center Legs	1

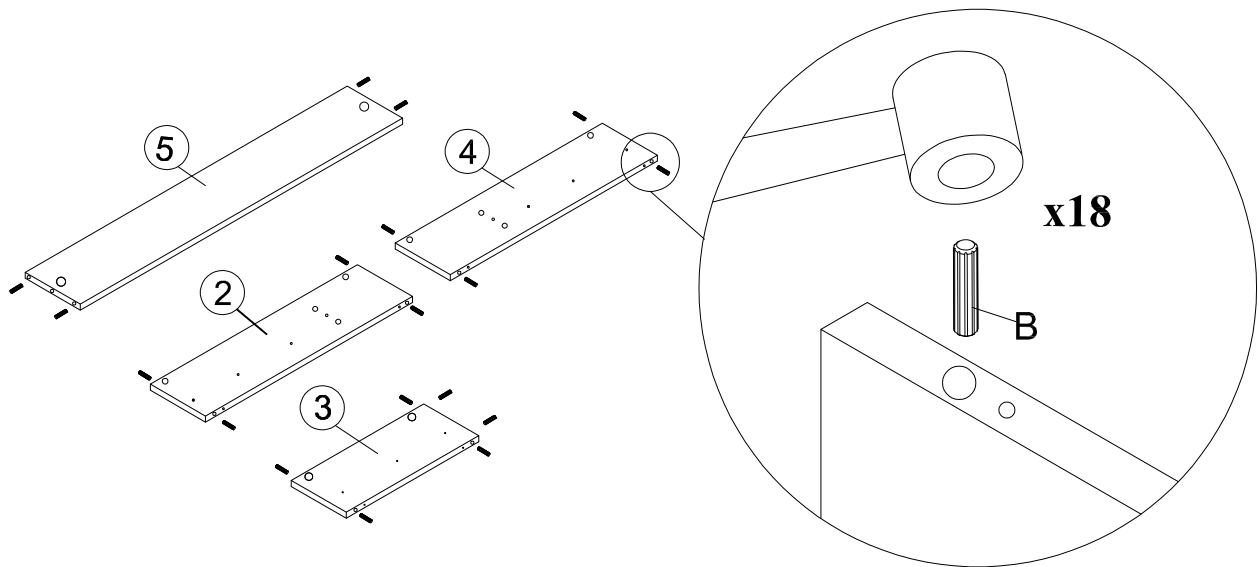
CODING
-133104



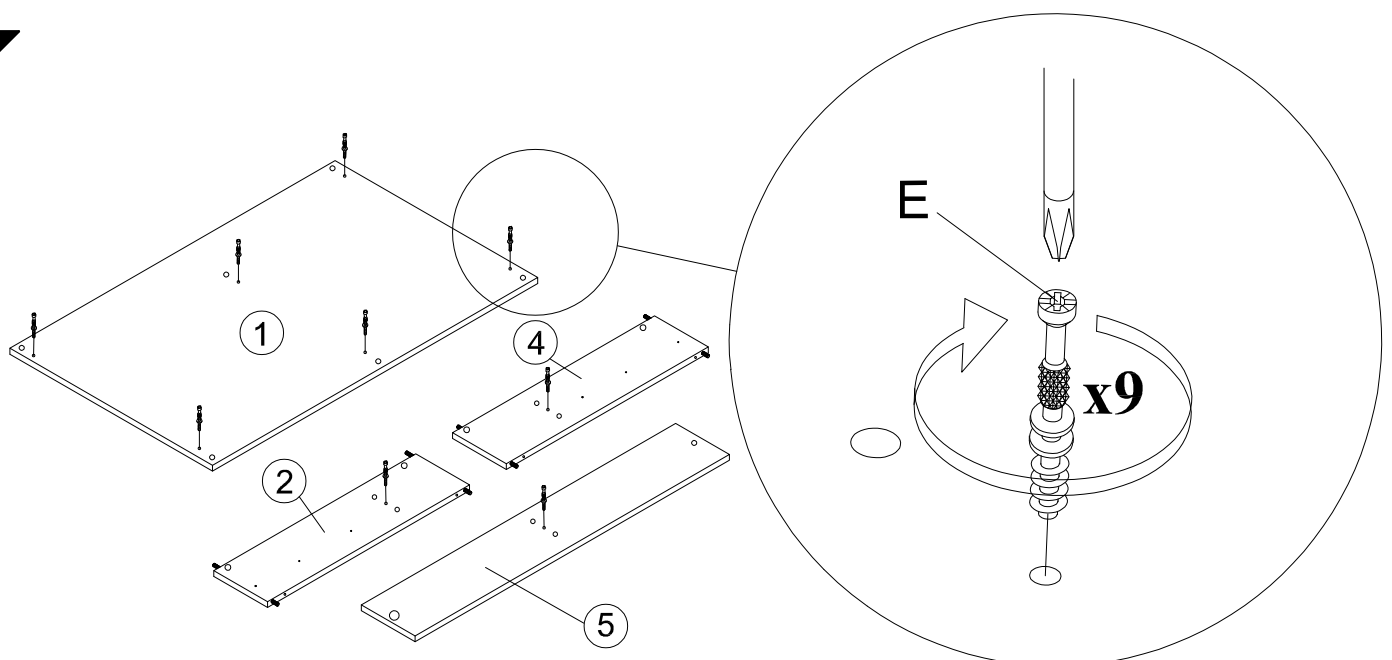
ISO 9001: 2015
Reg. No. 000435-1-MY-1-QMS

LUOMA.com

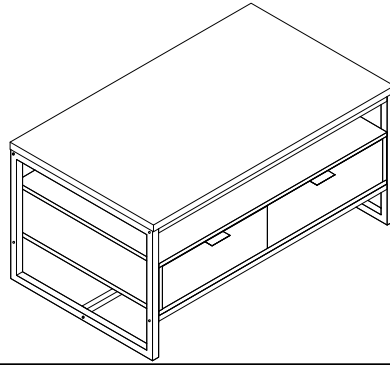
1



2

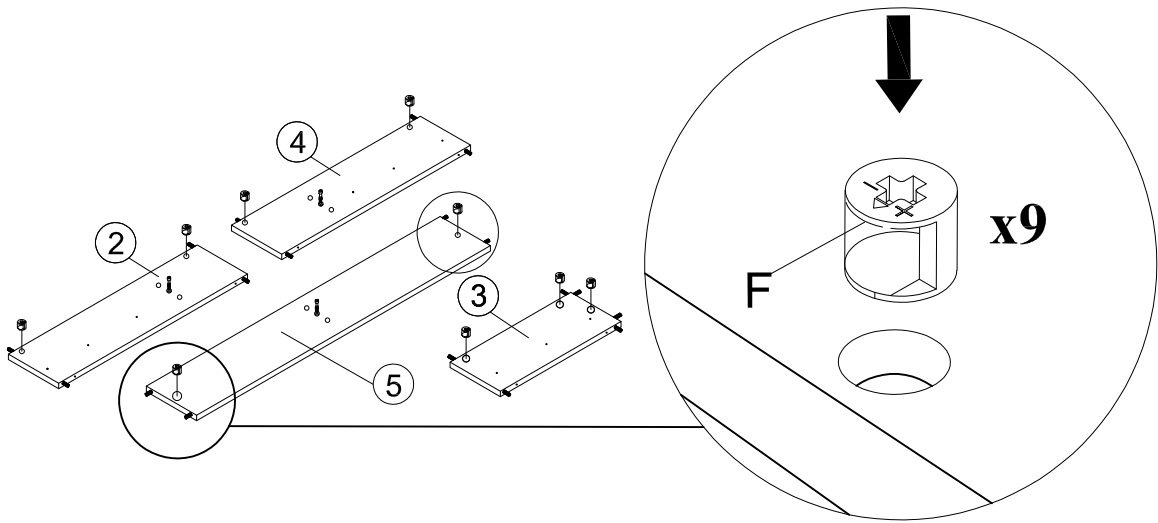


CODING
-133104

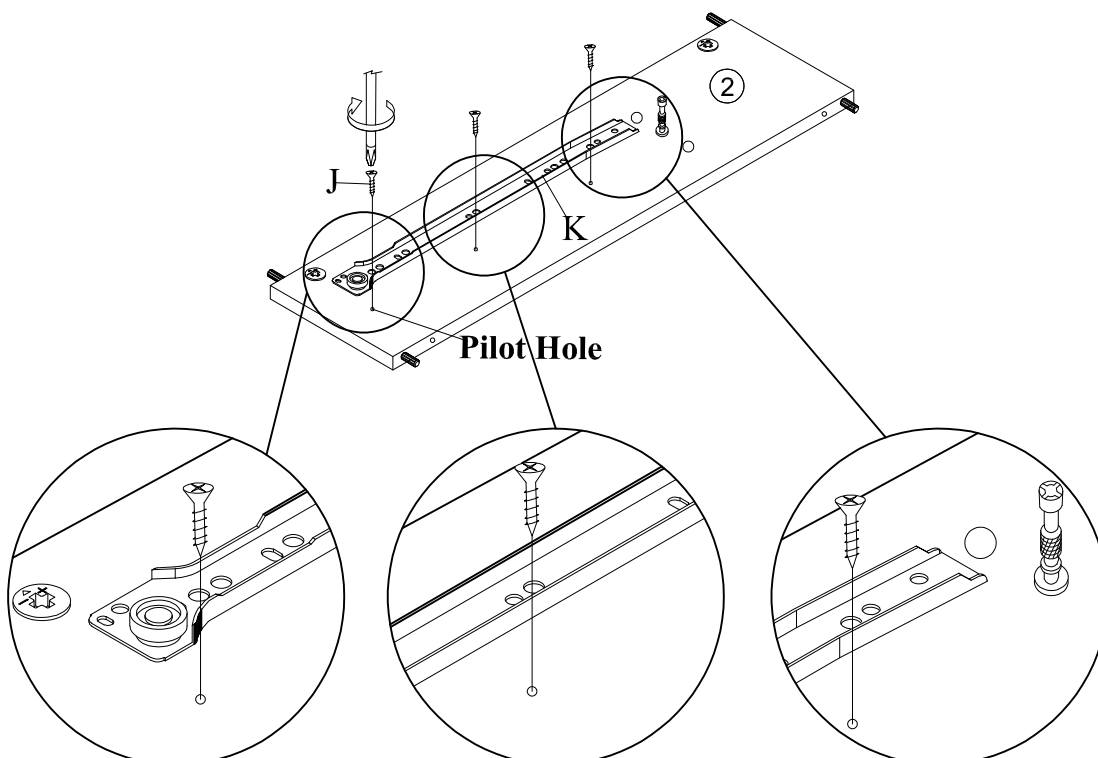


ISO 9001: 2015
Reg. No. 000435-1-MY-1-QMS

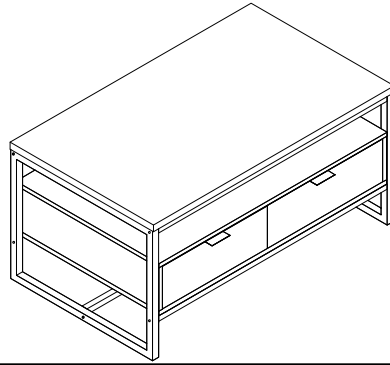
3



4



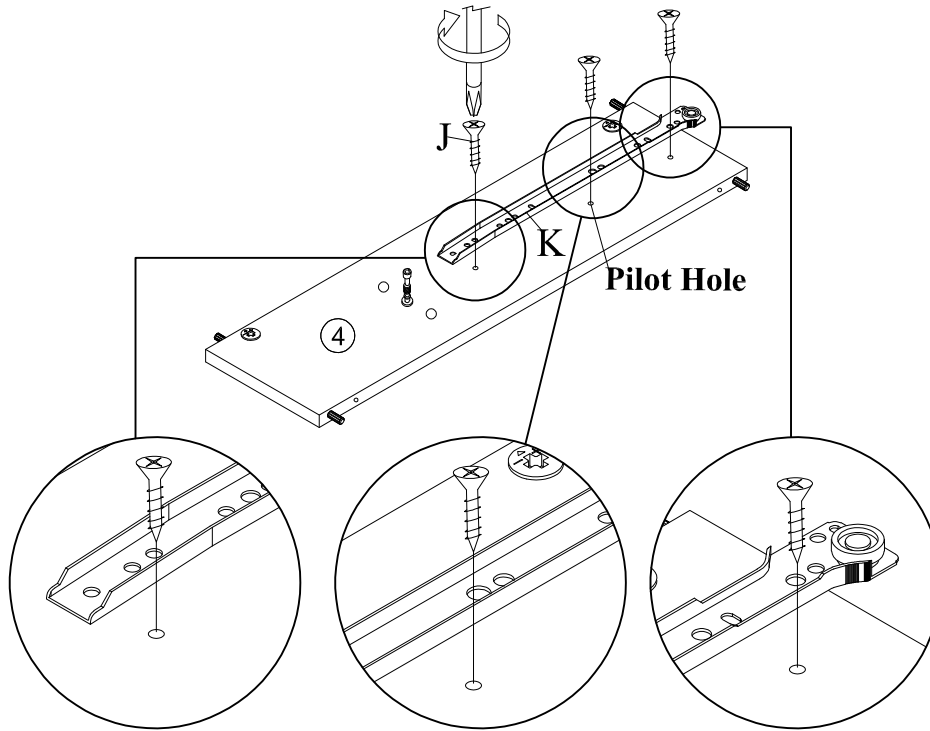
CODING
-133104



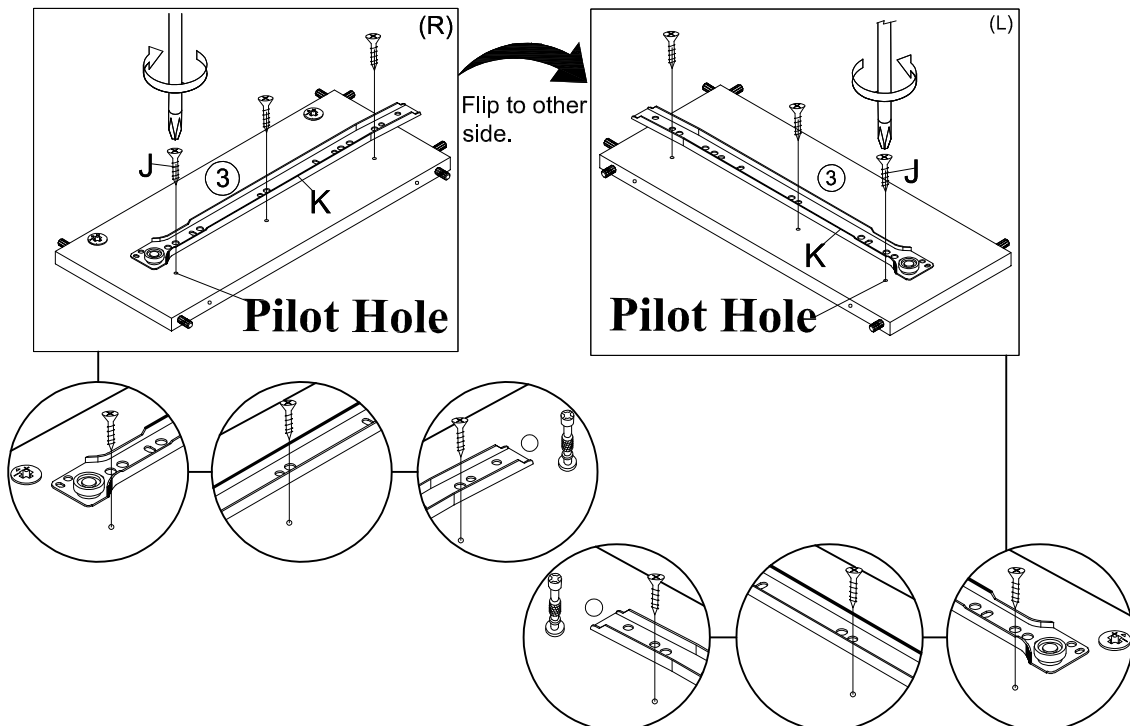
ISO 9001: 2015
Reg. No. 000435-1-MY-1-QMS

LUOMA.COM

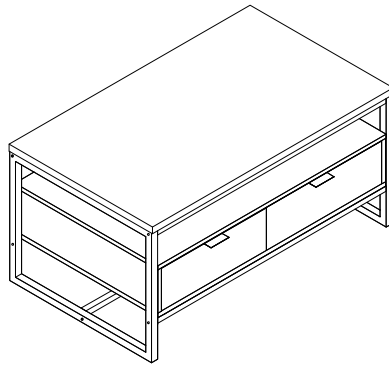
5



6



CODING
-133104

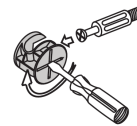


ISO 9001: 2015
Reg. No. 000435-1-MY-1-QMS

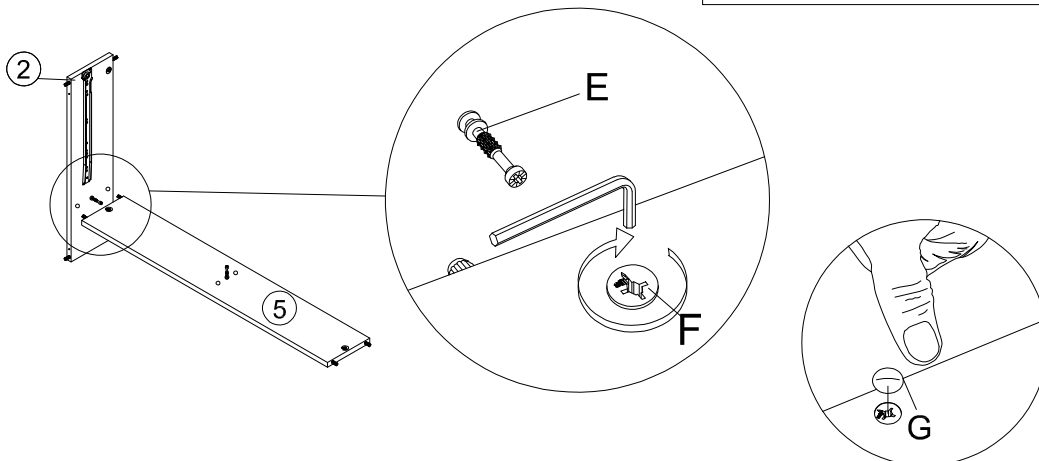
LUOMA.COM

7

This is how a mini fix works...



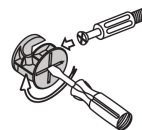
The head of the mini fix housing goes into the open mouth of the mini fix bolt. You then turn the mini fix housing so it tightens over the mini fix bolt.



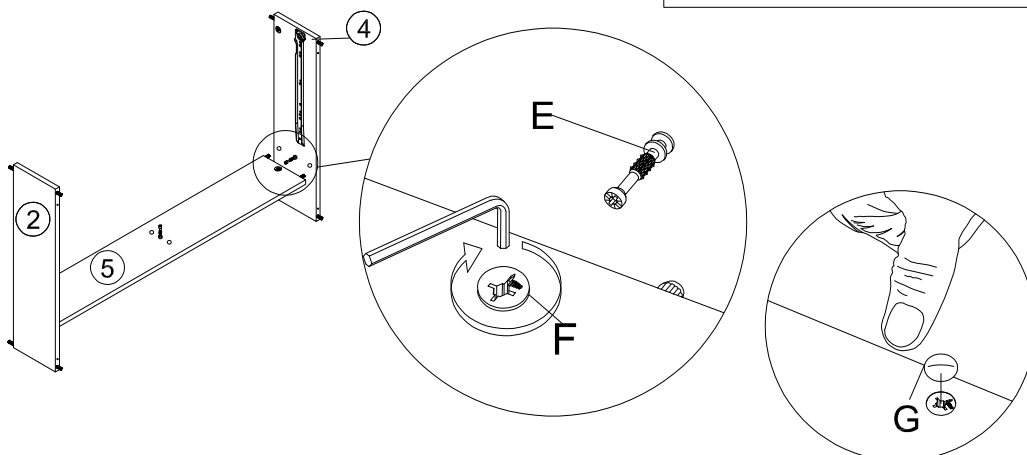
**Attach Minifix Cap as shown.*

8

This is how a mini fix works...

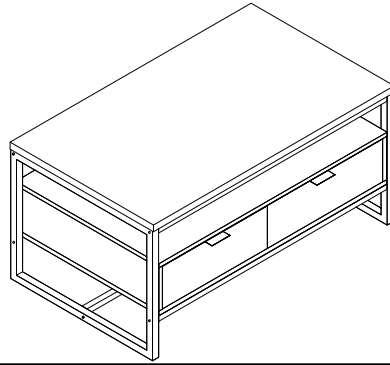


The head of the mini fix housing goes into the open mouth of the mini fix bolt. You then turn the mini fix housing so it tightens over the mini fix bolt.



**Attach Minifix Cap as shown.*

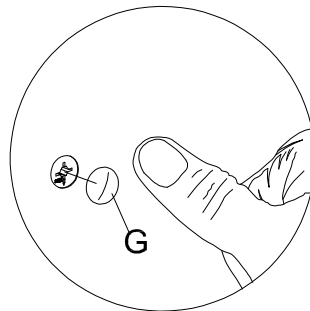
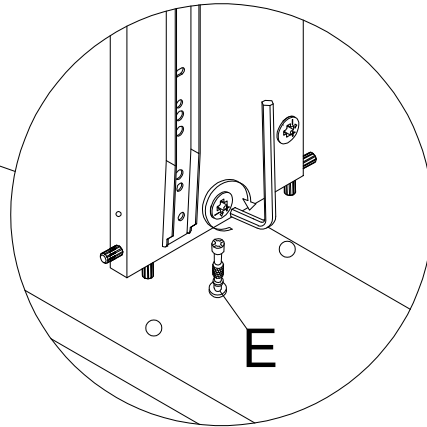
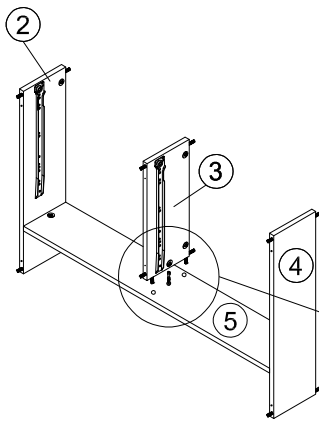
CODING
-133104



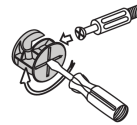
ISO 9001: 2015
Reg. No. 000435-1-MY-1-QMS

LUOMA.COM

9



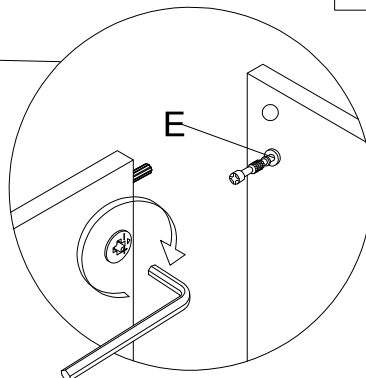
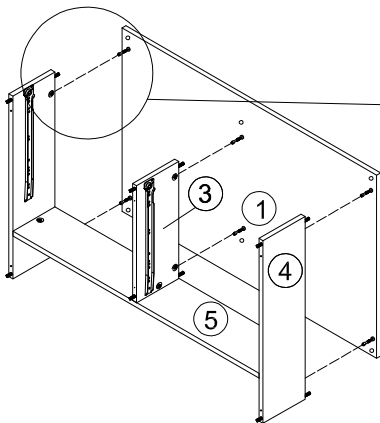
This is how a mini fix works...



The head of the mini fix housing goes into the open mouth of the mini fix bolt. You then turn the mini fix housing so it tightens over the mini fix bolt.

***Attach Minifix Cap as shown.**

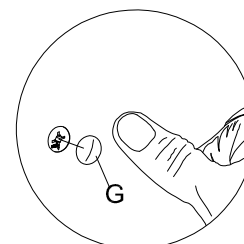
10



This is how a mini fix works...

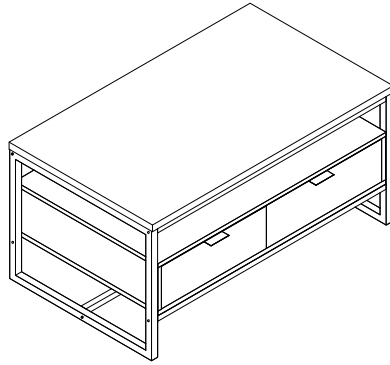


The head of the mini fix housing goes into the open mouth of the mini fix bolt. You then turn the mini fix housing so it tightens over the mini fix bolt.



***Attach Minifix Cap as shown.**

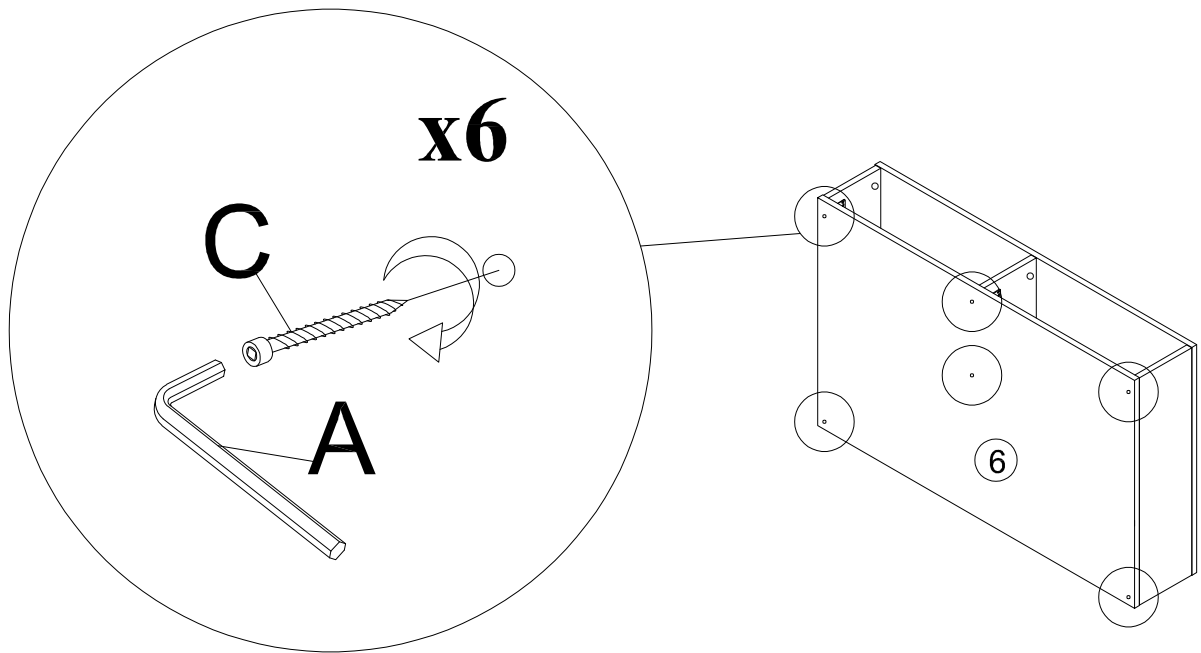
CODING
-133104



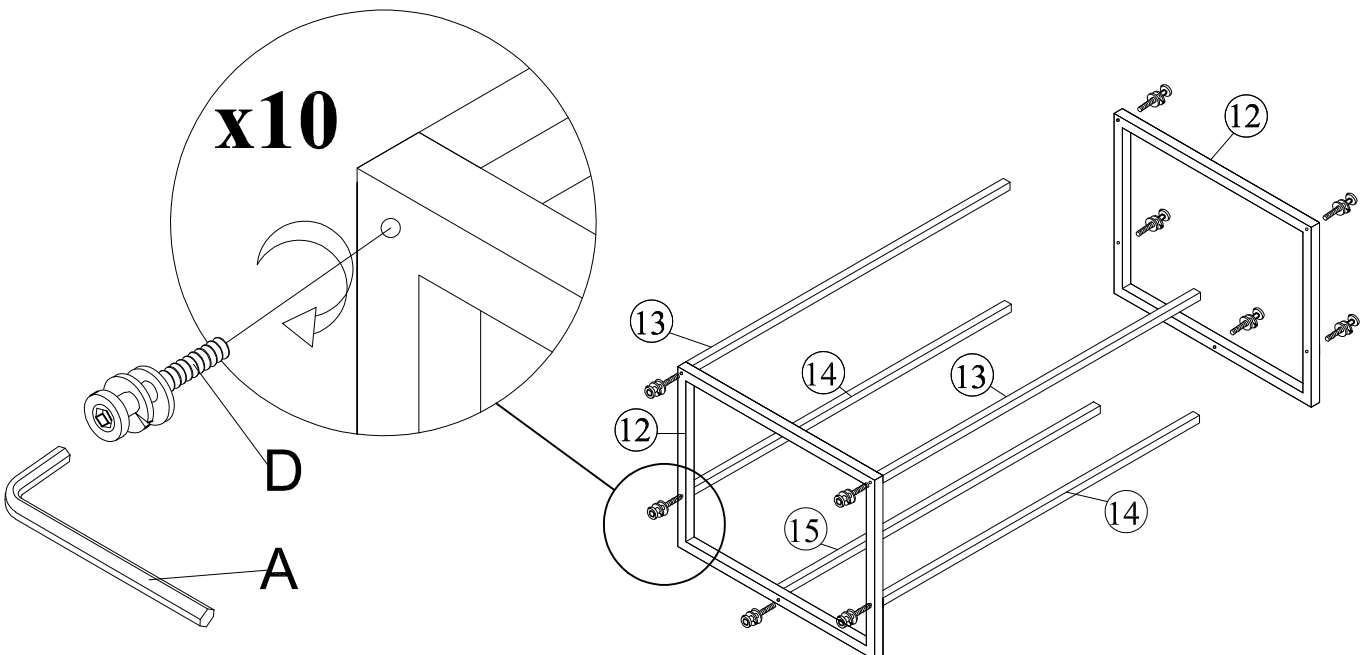
ISO 9001: 2015
Reg. No. 000435-1-MY-1-QMS

LUOMA.COM

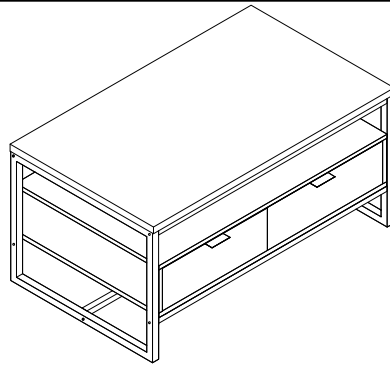
11



12



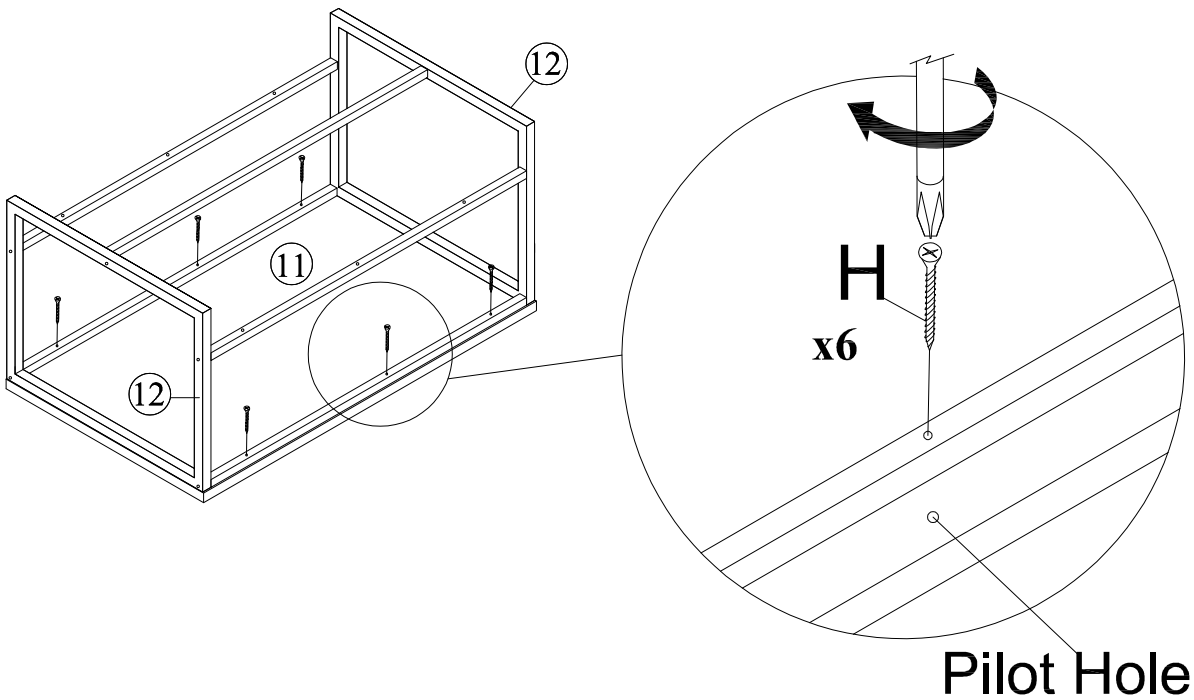
CODING
-133104



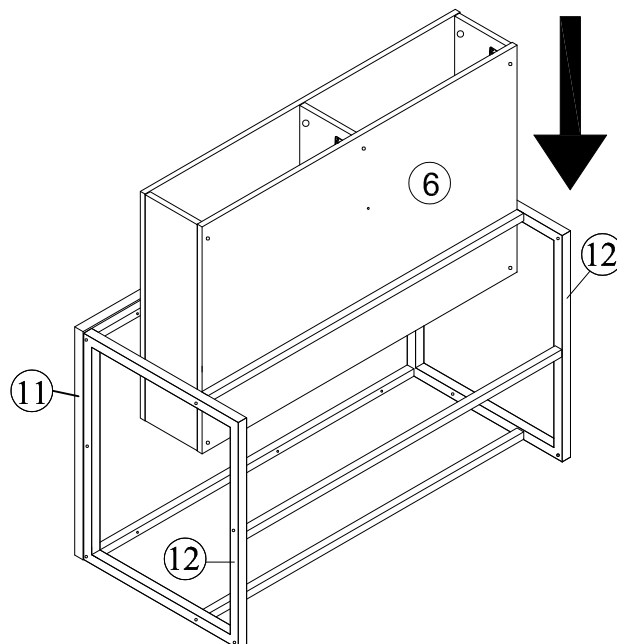
ISO 9001: 2015
Reg. No. 000433-1-MY-1-QMS

LUOMA.COM

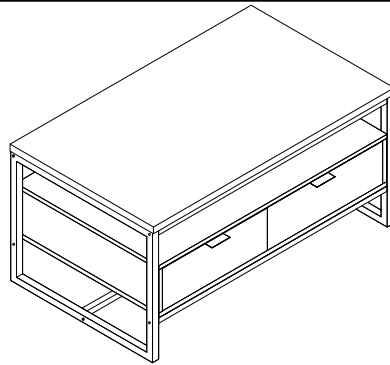
13



14



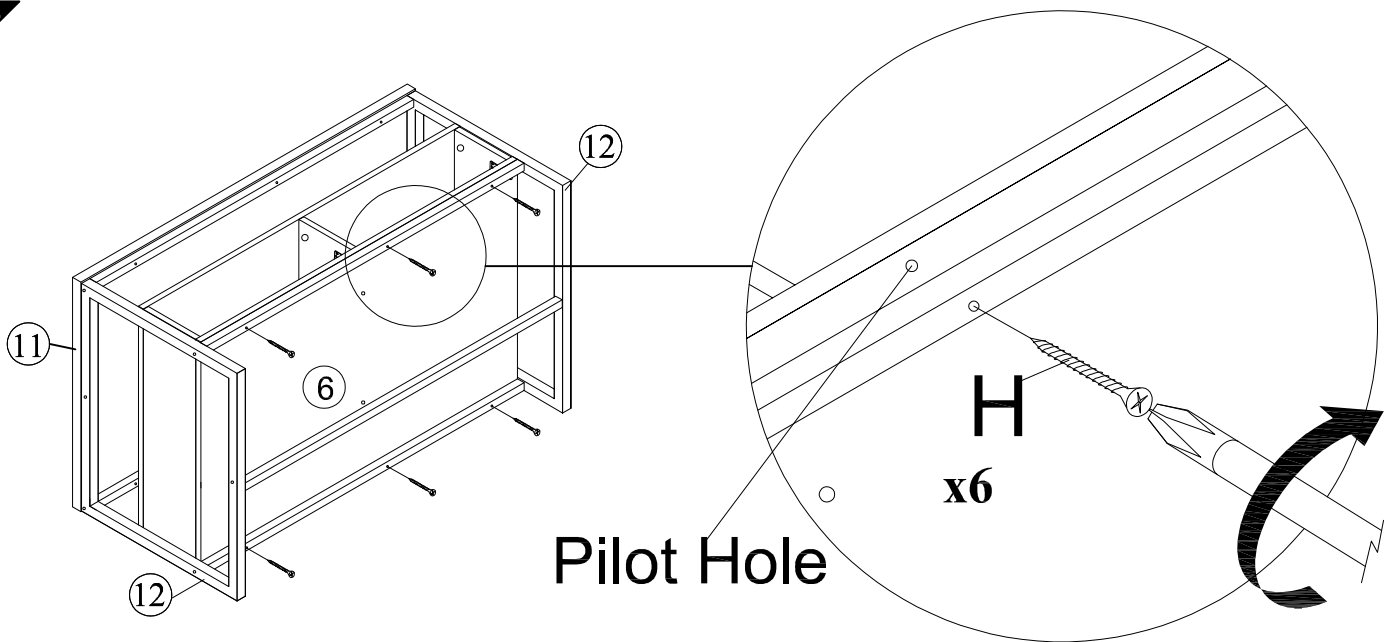
CODING
-133104



ISO 9001: 2015
Reg. No. 000435-1-MY-1-QMS

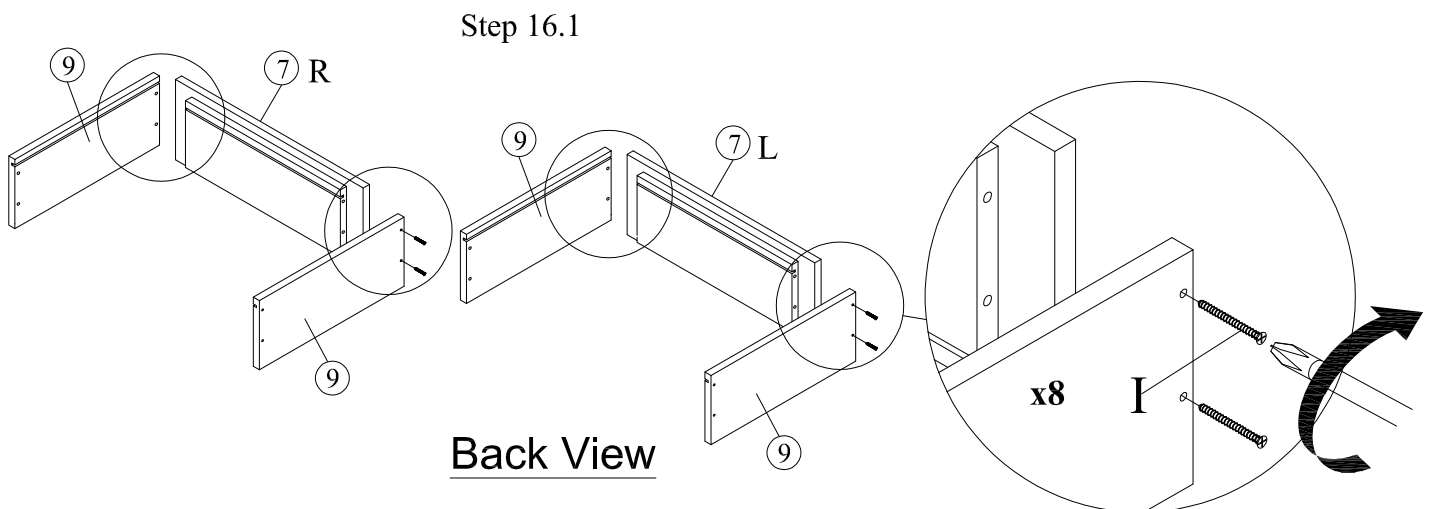
LUOMA.COM

15

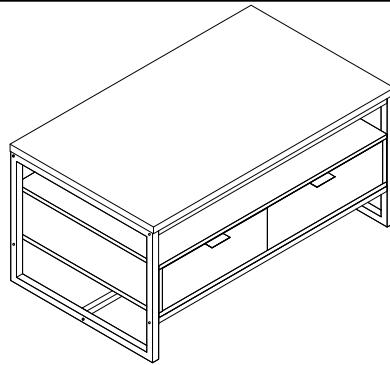


16

x2



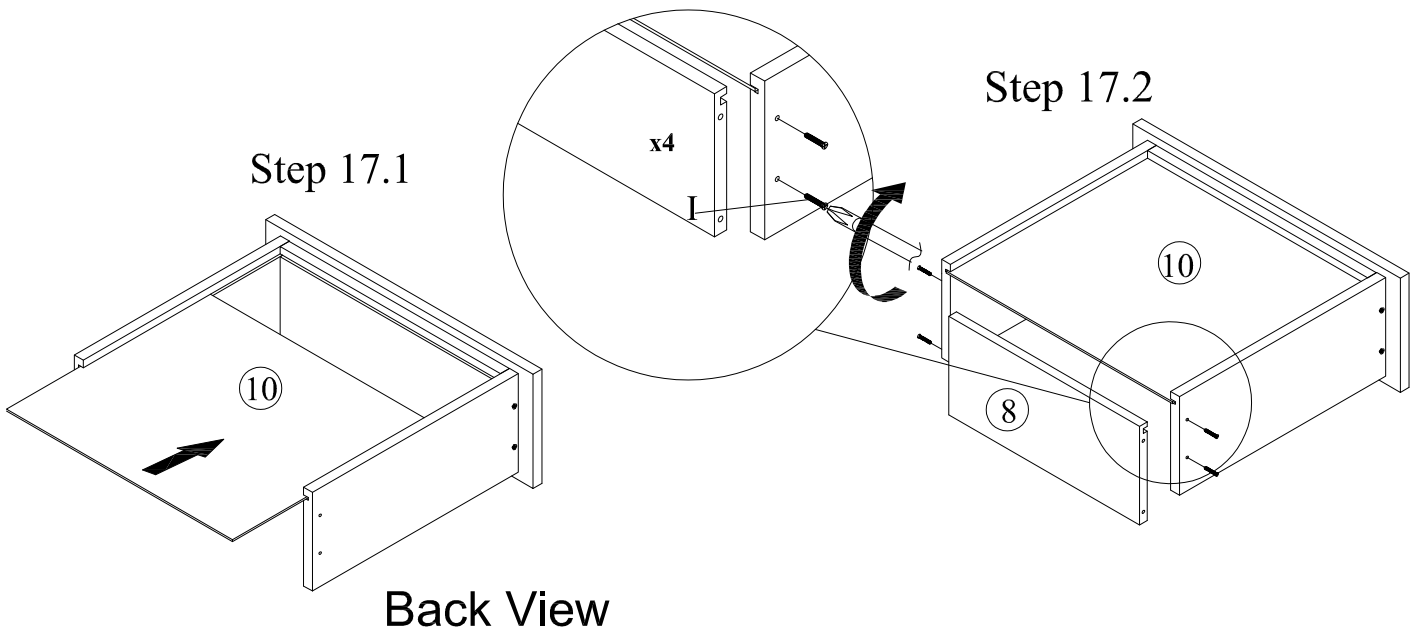
CODING
-133104



ISO 9001: 2015
Reg. No. 000435-1-MY-1-QMS

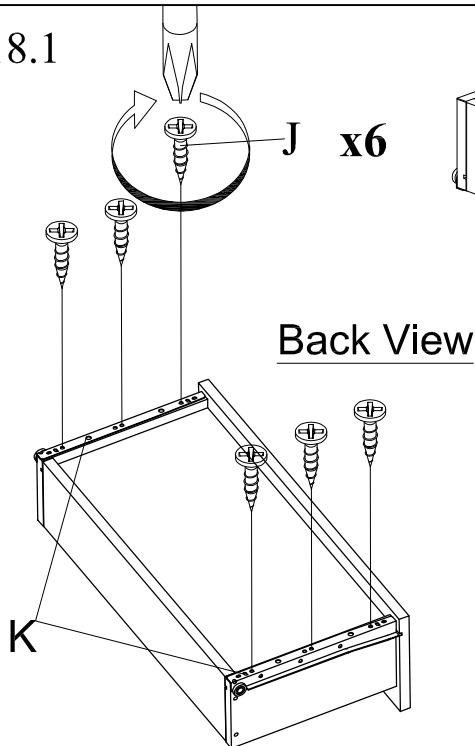
LUOMA.com

17



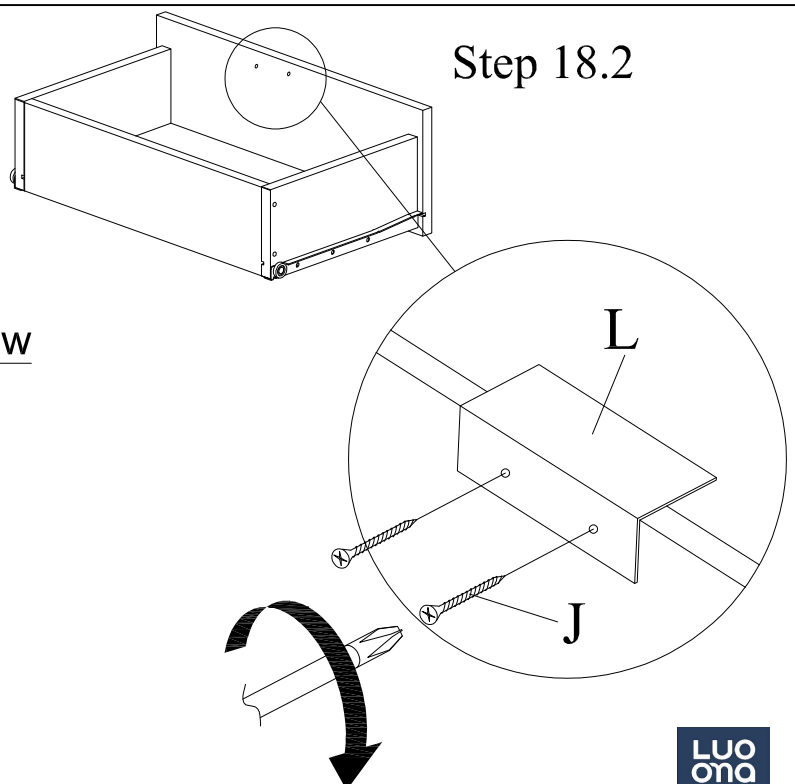
18

Step 18.1

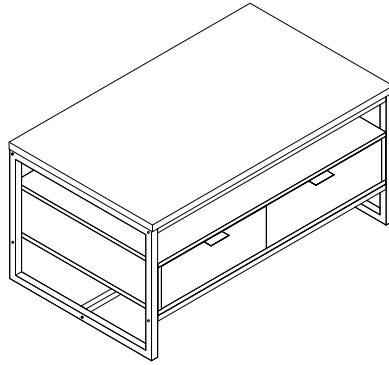


Back View

Step 18.2



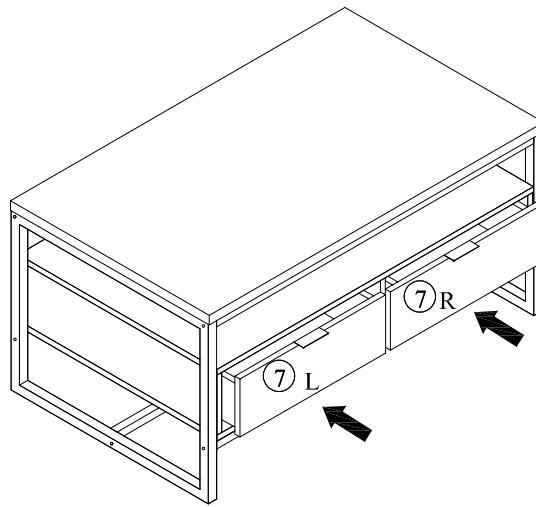
CODING
-133104



ISO 9001: 2015
Reg. No. 000435-1-MY-1-QMS

LUOMA.COM

19



20

