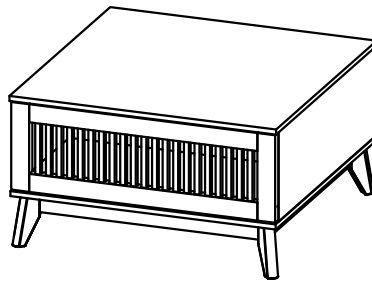


CODING
- 132137



ISO 9001:2015
Reg. No. 00005-L-ART-1-QM8

nuhoom.com

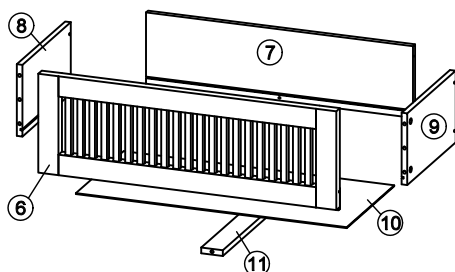
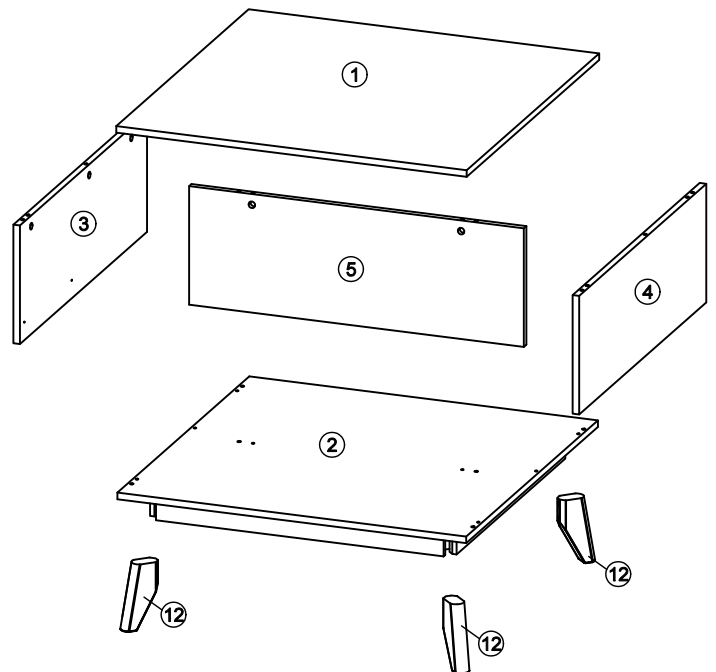
Read the instructions carefully. Remove all the wrappings, staples and straps from the carton. Refer to the hardware and furniture part list for guidance. Make sure that you have all the parts before you start assembling. Place all the wooden furniture parts on a clean, flat and soft surface, such as a carpet or rubbermat to prevent scratches.

CAUTION
KEEP ALL THE PARTS OUT OF CHILDREN'S REACH.

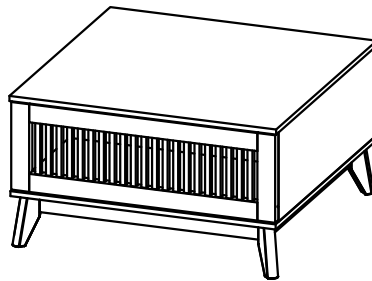
HARDWARE			
A	MINI FIX	A1 A2 A3	14 SETS
B	M8 X 30MM WOOD DOWEL		14 PCS
C	M6 X 60MM CSK CAP WOOD SCREW		8 PCS
D	ALLEN KEY M4		1 PC
E	M3.5 X 16MM C.B SCREW		12 PCS
F	M4 X 38MM C.B SCREW		4 PCS
G	JCBC SCREW M6 X 70MM		8 PCS
H	SPRING WASHER M6		8 PCS
I	FLAT WASHER M6		8 PCS
J	14" DRAWER SLIDE	J1 (L/R) J2 (L/R)	1 SET

SELF-PREPARED TOOLS: Tools below are NOT included in package.	
	SCREWDRIVER
	HAMMER

PART LIST		QTY
1	TOP PANEL	1 PC
2	BOTTOM PANEL	1 PC
3	SIDE PANEL (L)	1 PC
4	SIDE PANEL (R)	1 PC
5	MIDDLE PANEL	1 PC
6	DRAWER FRONT	1 PC
7	DRAWER BACK	1 PC
8	DRAWER SIDE (L)	1 PC
9	DRAWER SIDE (R)	1 PC
10	DRAWER BOTTOM	1 PC
11	DRAWER BONE	1 PC
12	CABINET LEG	4 PCS



CODING
- 132137

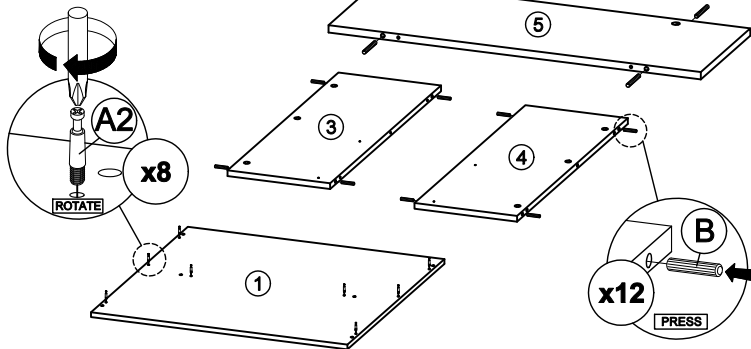


ISO 9001:2015
Reg. No. 00003-L-INT-1-QM

nuhoom.com

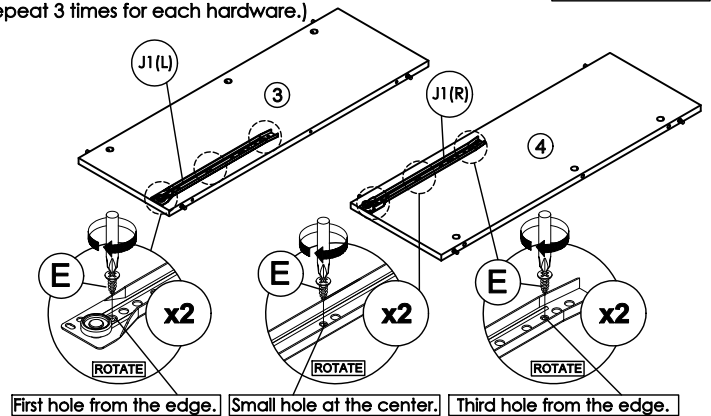
STEP 1

- Insert hardware **A2** onto panel **(1)**.
(Repeat 8 times.)
- Insert hardware **B** into panel **(3)**, **(4)** and **(5)**.
(Repeat 12 times.)



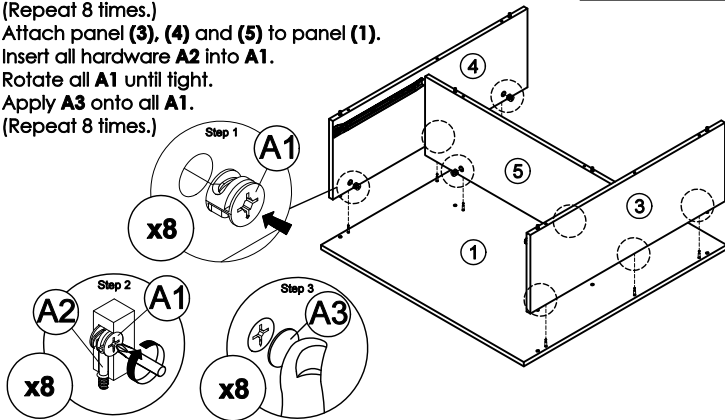
STEP 2

- Fix hardware **J1 (L/R)** onto panel **(3)** and **(4)** with hardware **E**.
(Repeat 3 times for each hardware.)



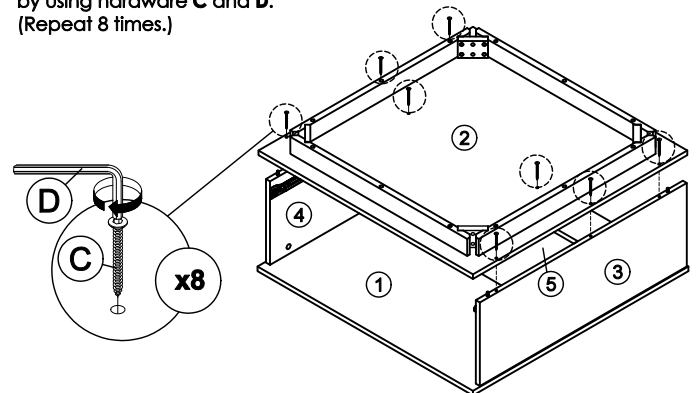
STEP 3

- Insert hardware **A1** into panel **(3)**, **(4)** and **(5)**.
(Repeat 8 times.)
- Attach panel **(3)**, **(4)** and **(5)** to panel **(1)**.
- Insert all hardware **A2** into **A1**.
- Rotate all **A1** until tight.
- Apply **A3** onto all **A1**.
(Repeat 8 times.)



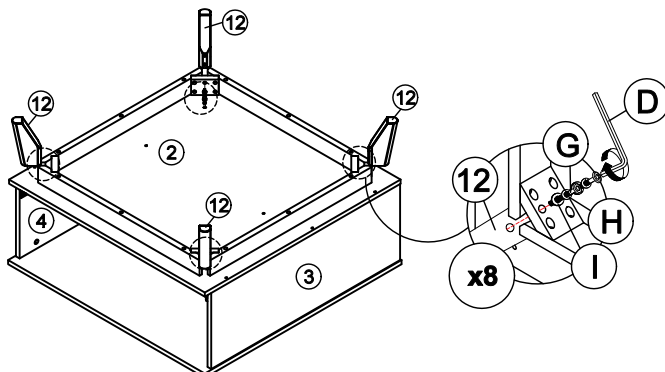
STEP 4

- Connect panel **(2)** to panel **(3)**, **(4)** and **(5)** by using hardware **C** and **D**.
(Repeat 8 times.)



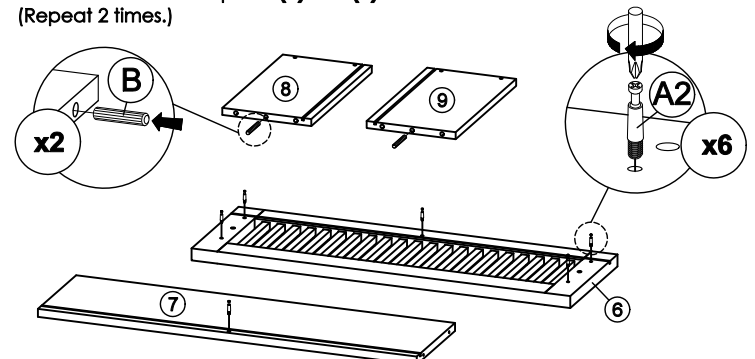
STEP 5

- Fix legs **(12)** to panel **(2)** by using hardware **D**, **G**, **H** and **I**.
(Repeat 8 times.)

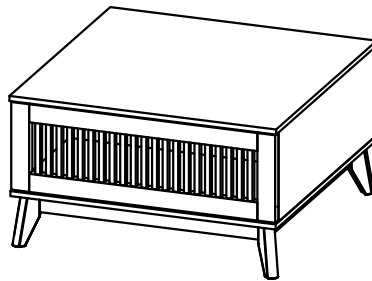


STEP 6

- Insert hardware **A2** onto panel **(6)** and **(7)**.
(Repeat 6 times.)
- Insert hardware **B** into panel **(8)** and **(9)**.
(Repeat 2 times.)



CODING
- 132137

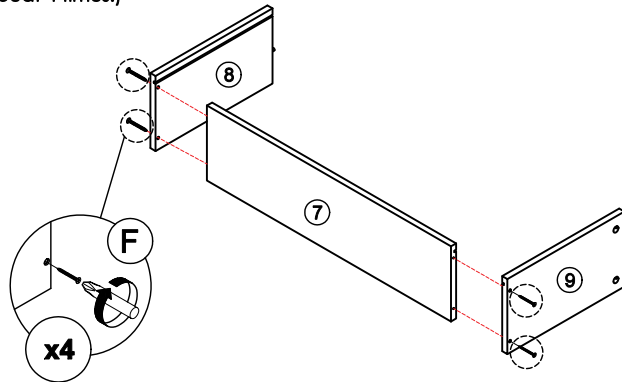


ISO 9001:2015
Reg. No. 00003-L-INT-1-QM

nuhoom.com

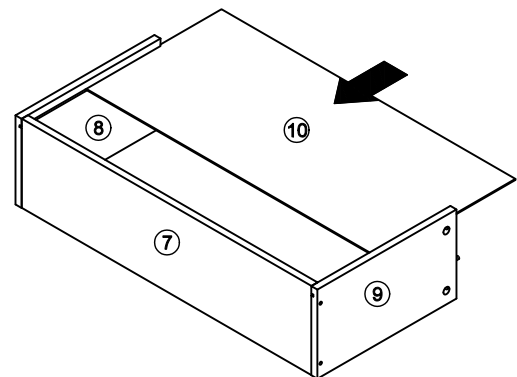
STEP 7

- Assemble panel (8) and (9) to panel (7) by using hardware F. (Repeat 4 times.)



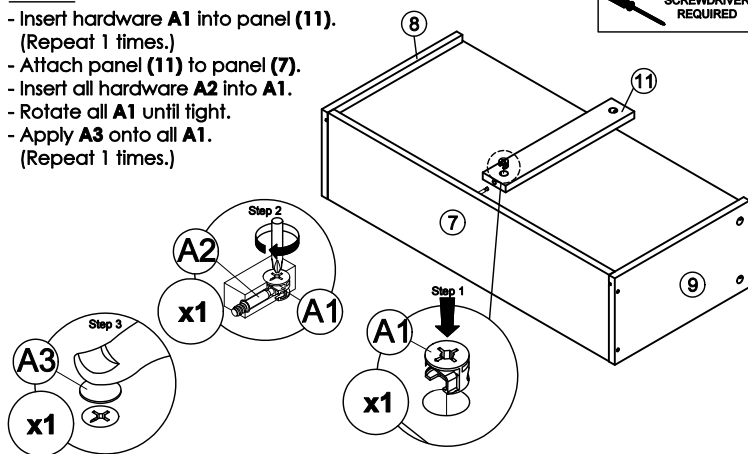
STEP 8

- Insert the panel (10) along the slot. (Repeat 1 times.)



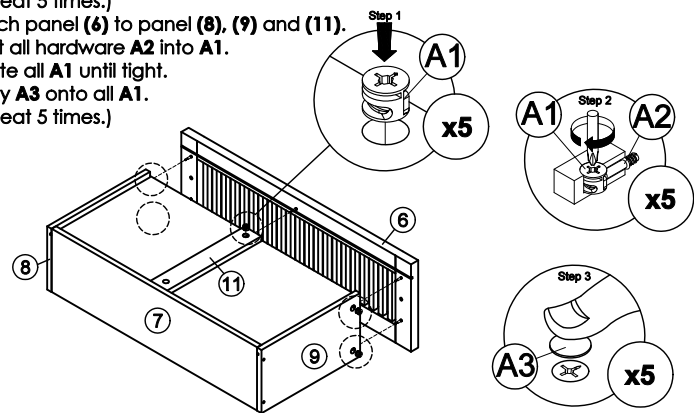
STEP 9

- Insert hardware A1 into panel (11). (Repeat 1 times.)
- Attach panel (11) to panel (7).
- Insert all hardware A2 into A1.
- Rotate all A1 until tight.
- Apply A3 onto all A1. (Repeat 1 times.)



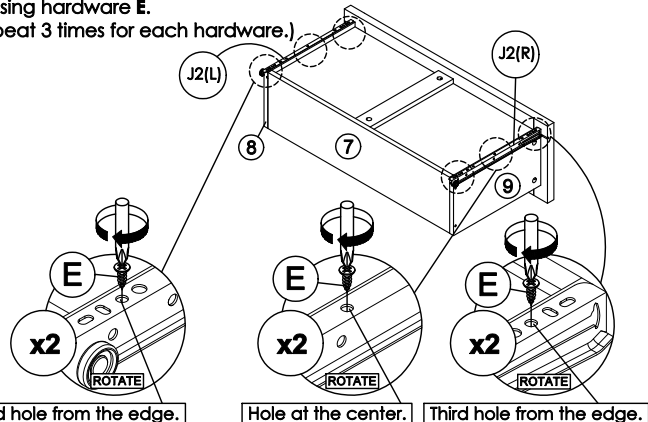
STEP 10

- Insert hardware A1 into panel (8), (9) and (11). (Repeat 5 times.)
- Attach panel (6) to panel (8), (9) and (11).
- Insert all hardware A2 into A1.
- Rotate all A1 until tight.
- Apply A3 onto all A1. (Repeat 5 times.)



STEP 11

- Assemble hardware J2 (L/R) to panel (8) and (9) by using hardware E. (Repeat 3 times for each hardware.)



STEP 12

- Put all the drawer in place along the drawer slides.

