

## CODING

- 1319078  
- 1319079



**ISO 9001:2015**  
Reg. No. 000435-1-MY-1-QMS

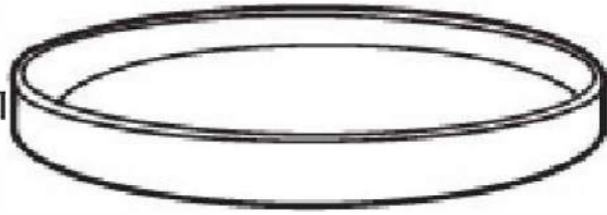

**LUOMA.COM**

Read the instruction carefully. Remove all the wrapping material, staples and straps from the carton. Refer to the hardware and furniture part list for guidance. Be sure that you have all the parts before you start assembling. Place all the wooden furniture part on a clean and flat soft surface, such as carpet or rubbermat to prevent from scratches.

## CAUTION

KEEP ALL THE PARTS OUT OF REACH OF CHILDREN.

ITEM	HARDWARE NAME	QTY

ITEM	PHOTO	PARTS NAME	QTY
1		TABLE TOP	1
2		TABLE LEG	3

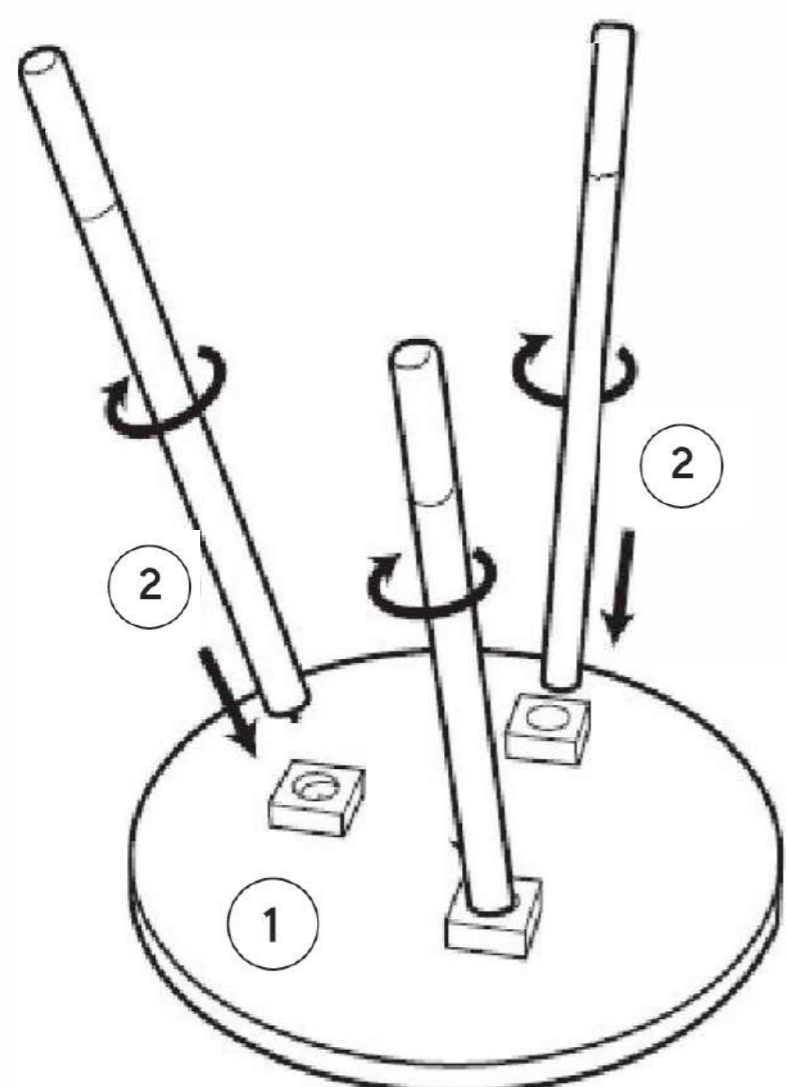
**CODING**  
- 1319078  
- 1319079



**ISO 9001:2015**  
Reg. No. 000435-1-MY-1-QMS

**LUOMA.COM**

1



2

