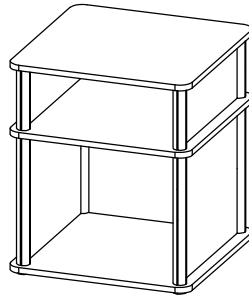


**CODING**  
- 131201



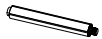
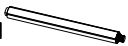

ISO 9001:2015  
Reg. No. 00035-1-MY-1-QMS

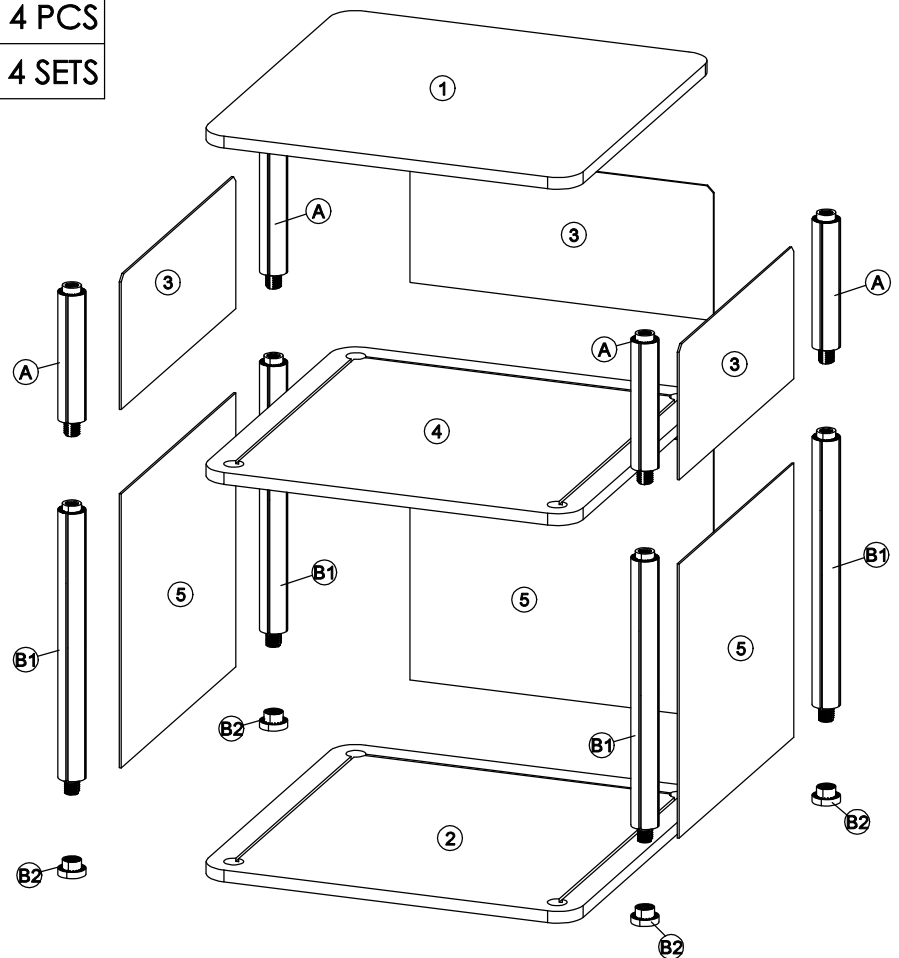
**nuhoom.com**

Read the instructions carefully. Remove all the wrappings , staples and straps from the carton. Refer to the hardware and furniture part list for guidance. Make sure that you have all the parts before you start assembling. Place all the wooden furniture parts on a clean, flat and soft surface, such as a carpet or rubbermat to prevent scratches.

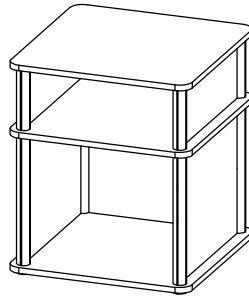
CAUTION  
KEEP ALL THE PARTS OUT OF CHILDREN'S REACH.

PART LIST		QTY
1	TOP PANEL	1 PC
2	BOTTOM PANEL	1 PC
3	SIDE PANEL - UP	3 PCS
4	MIDDLE PANEL	1 PC
5	SIDE PANEL	3 PCS

HARDWARE			
A	SHORT POLE		4 PCS
B	LONG POLE	 B1	4 SETS
		 B2	



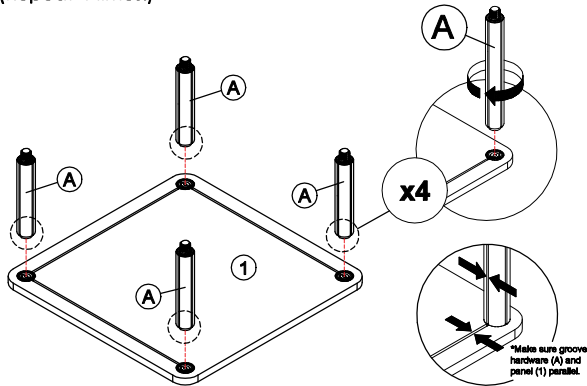
**CODING**  
- 131201



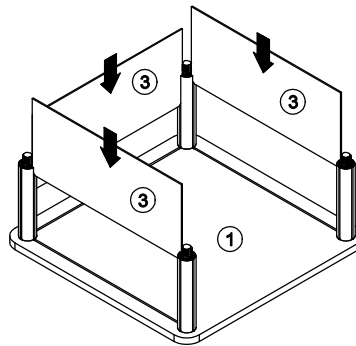
ISO 9001:2015  
Reg. No. 00043-1-MY-1-QMS

**nuhoom.com**

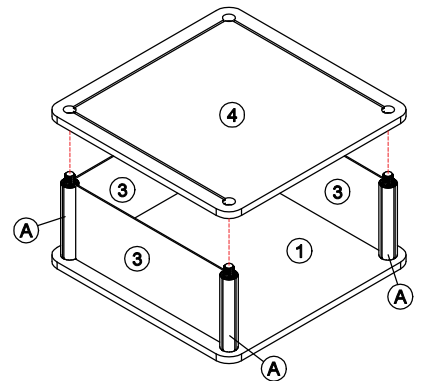
**STEP 1**  
Insert hardware **A** onto panel **(1)**.  
(Repeat 4 times.)



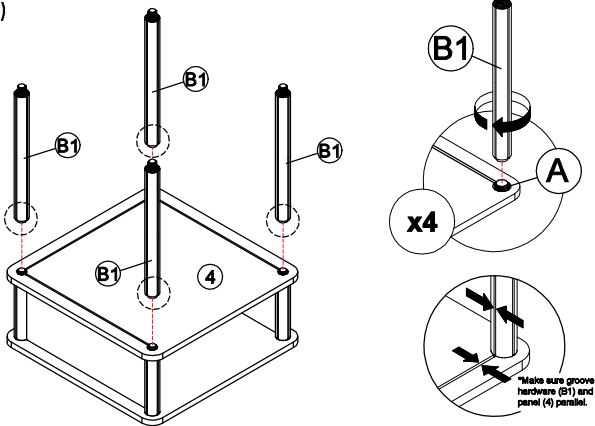
**STEP 2**  
Insert the panel **(3)** along the slot.



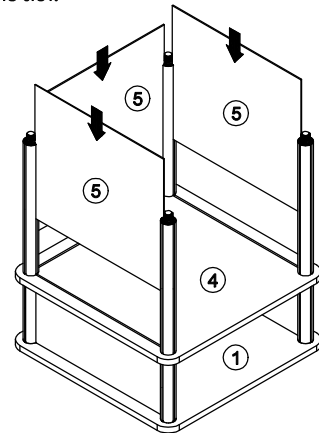
**STEP 3**  
Connect panel **(4)** to hardware **A**.



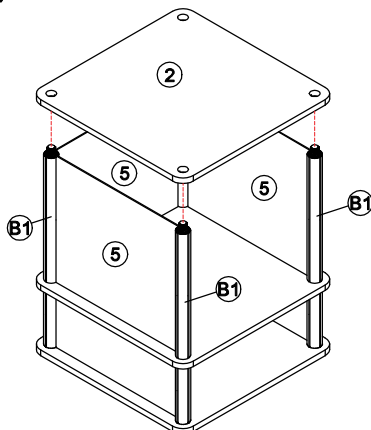
**STEP 4**  
Insert hardware **B1** onto hardware **A**.  
(Repeat 4 times.)



**STEP 5**  
Insert the panel **(5)** along the slot.



**STEP 6**  
Connect panel **(2)** to hardware **B1**.



**STEP 7**  
Connect hardware **B2** to hardware **B1**.  
(Repeat 4 times.)

