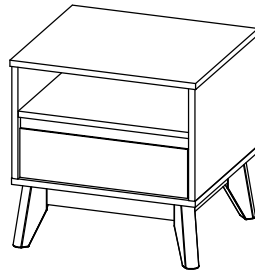


**CODING**  
- 131196



ISO 9001:2015  
Reg. No. 00005-1-MY-1-QMS

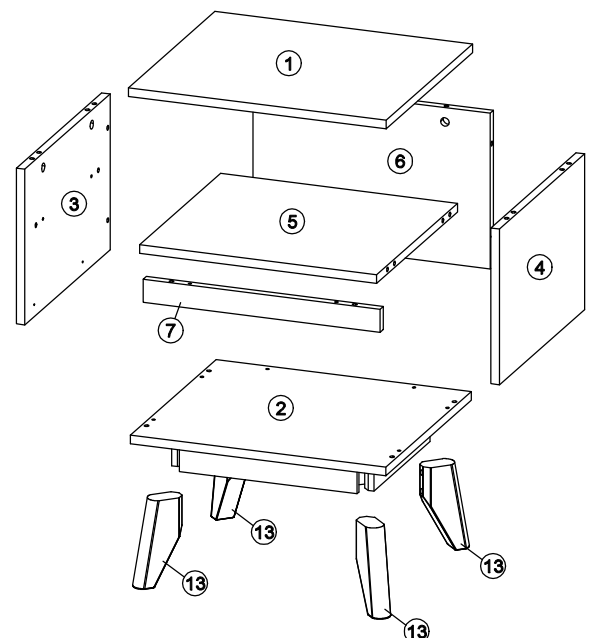
**nuhoom.com**

Read the instructions carefully. Remove all the wrappings, staples and straps from the carton. Refer to the hardware and furniture part list for guidance. Make sure that you have all the parts before you start assembling. Place all the wooden furniture parts on a clean, flat and soft surface, such as a carpet or rubbermat to prevent scratches.

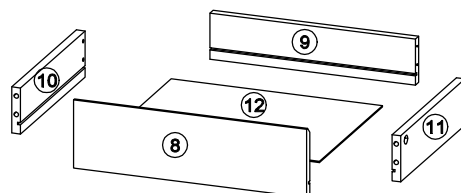
**CAUTION**  
KEEP ALL THE PARTS OUT OF CHILDREN'S REACH.

HARDWARE			
A	MINI FIX	A1  A2  A3	12 SETS
B	M8 X 30MM WOOD DOWEL		20 PCS
C	M6 X 50MM CSK CAP WOOD SCREW		6 PCS
D	ALLEN KEY M4		1 PC
E	M3.5 X 16MM C.B SCREW		12 PCS
F	M4 X 38MM C.B SCREW		6 PCS
G	JCBC Screw M6 x 70 MM		8 PCS
H	SPRING WASHER M6		8 PCS
I	FLAT WASHER M6		8 PCS
J	12" DRAWER SLIDE	J1 (L/R) J2 (L/R)	1 SET

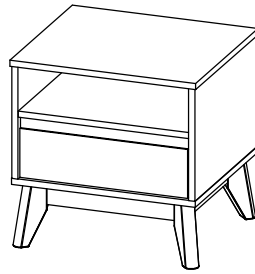
PART LIST		QTY
1	TOP PANEL	1 PC
2	BOTTOM PANEL	1 PC
3	SIDE PANEL (L)	1 PC
4	SIDE PANEL (R)	1 PC
5	MIDDLE PANEL	1 PC
6	BACK PANEL	1 PC
7	BONE PANEL	1 PC
8	DRAWER FRONT	1 PC
9	DRAWER BACK	1 PC
10	DRAWER SIDE (L)	1 PC
11	DRAWER SIDE (R)	1 PC
12	BOTTOM DRAWER	1 PC
13	CABINET LEG	4 PCS



SELF-PREPARED TOOLS: Tools below are NOT included in package.	
	SCREWDRIVER
	HAMMER



**CODING**  
- 131196

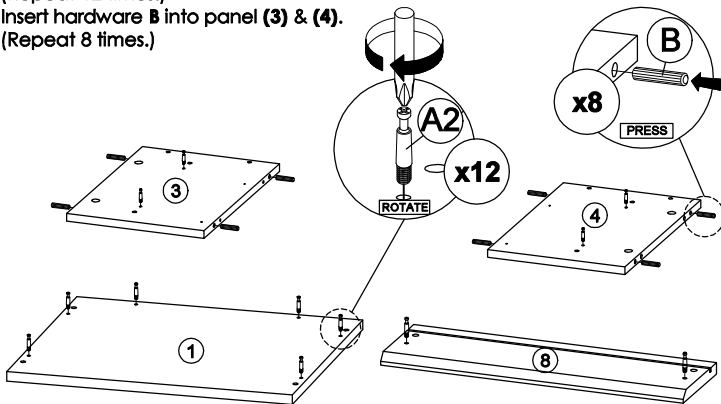


ISO 9001:2015  
Reg. No. 00035-1-MY-1-QMS

**nuhoom.com**

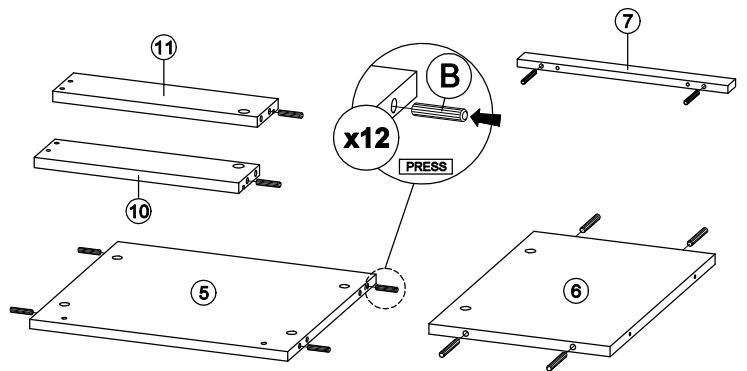
**STEP 1**

- Insert hardware **A2** onto panel **(1)**, **(3)**, **(4)** & **(8)**.  
(Repeat 12 times.)
- Insert hardware **B** into panel **(3)** & **(4)**.  
(Repeat 8 times.)



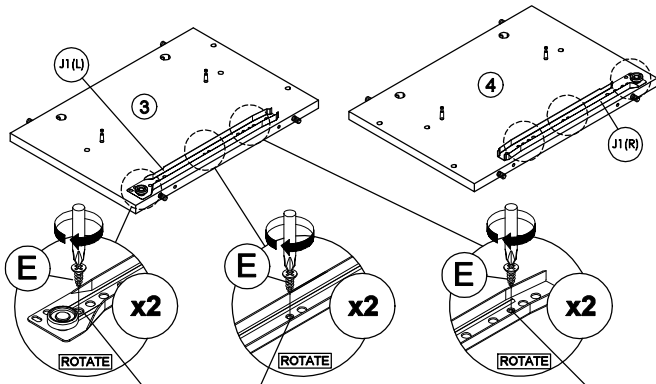
**STEP 2**

- Insert hardware **B** into panel **(5)**, **(6)**, **(7)**, **(10)** & **(11)**.  
(Repeat 12 times.)



**STEP 3**

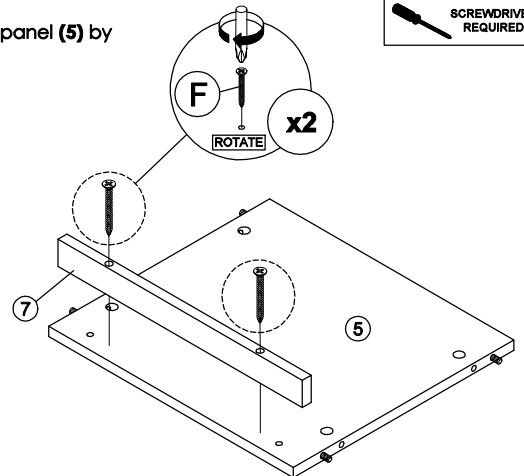
- Fix hardware **J1 (L/R)** onto panel **(3)** & **(4)** with hardware **E**.  
(Repeat 2 times for each hardware.)



First hole from the edge. Small hole at the center. Third hole from the edge.

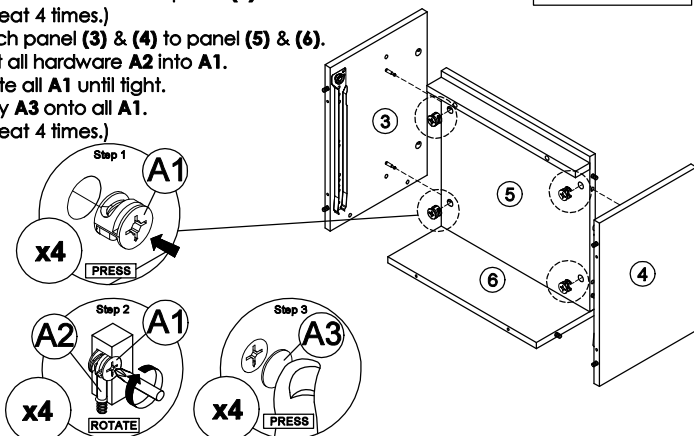
**STEP 4**

- Assemble panel **(7)** to panel **(5)** by using hardware **F**.  
(Repeat 2 times.)



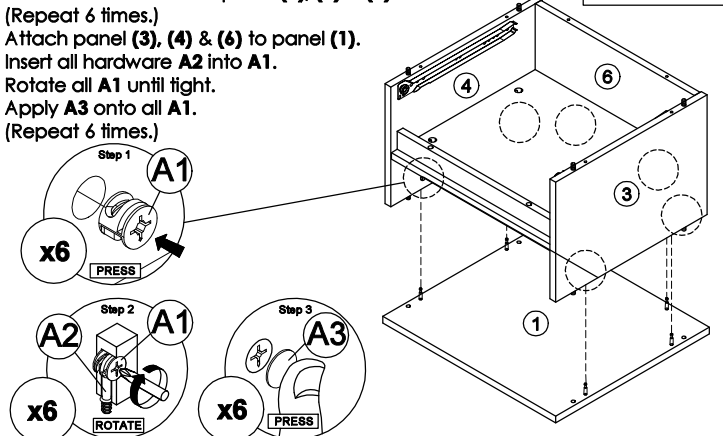
**STEP 5**

- Insert hardware **A1** into panel **(5)**.  
(Repeat 4 times.)
- Attach panel **(3)** & **(4)** to panel **(5)** & **(6)**.
- Insert all hardware **A2** into **A1**.
- Rotate all **A1** until tight.
- Apply **A3** onto all **A1**.  
(Repeat 4 times.)

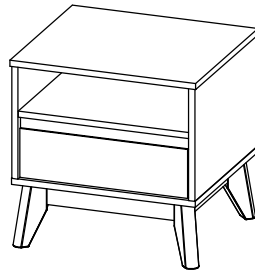


**STEP 6**

- Insert hardware **A1** into panel **(3)**, **(4)** & **(6)**.  
(Repeat 6 times.)
- Attach panel **(3)**, **(4)** & **(6)** to panel **(1)**.
- Insert all hardware **A2** into **A1**.
- Rotate all **A1** until tight.
- Apply **A3** onto all **A1**.  
(Repeat 6 times.)



**CODING**  
- 131196

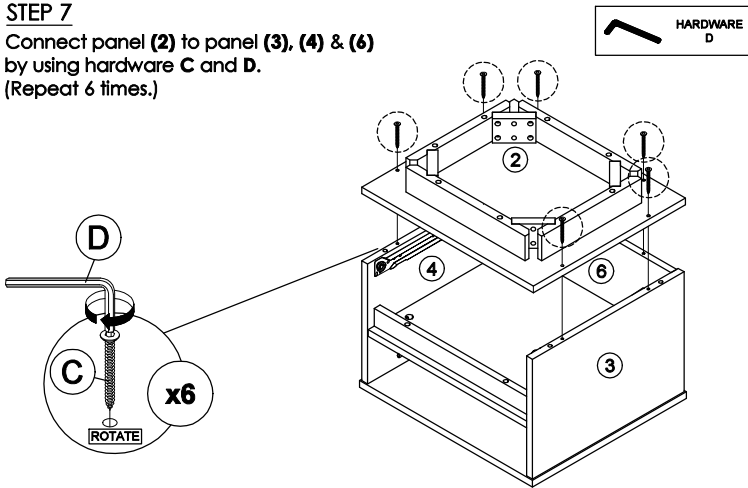


ISO 9001:2015  
Reg. No. 00043-1-MY-1-QMS

**nuhoom.com**

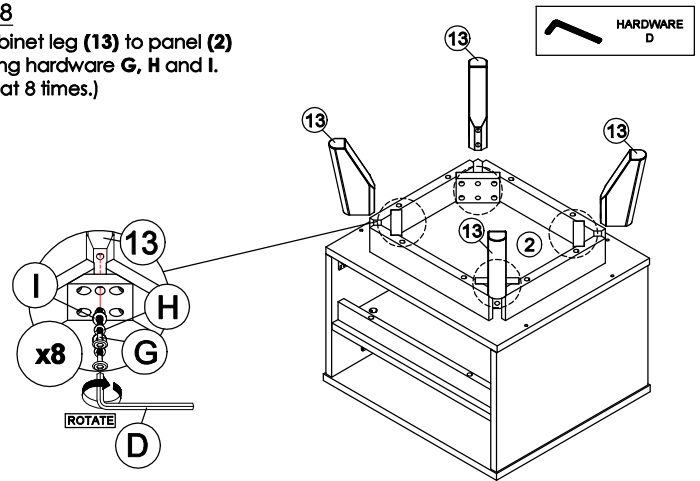
**STEP 7**

Connect panel (2) to panel (3), (4) & (6) by using hardware C and D. (Repeat 6 times.)



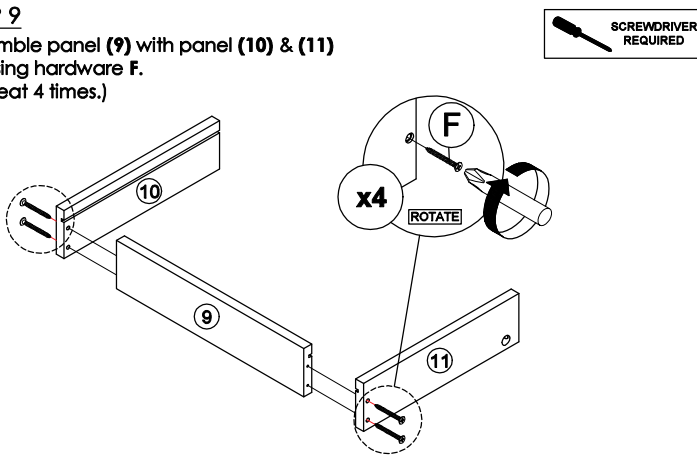
**STEP 8**

Fix cabinet leg (13) to panel (2) by using hardware G, H and I. (Repeat 8 times.)



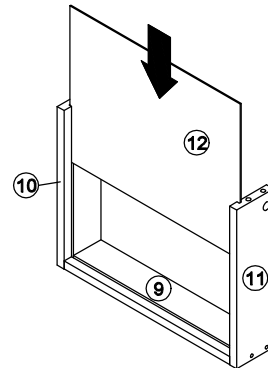
**STEP 9**

Assemble panel (9) with panel (10) & (11) by using hardware F. (Repeat 4 times.)



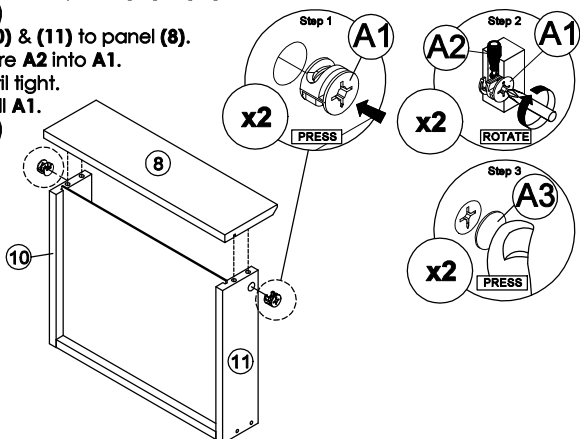
**STEP 10**

Insert the panel (12) along the slot.



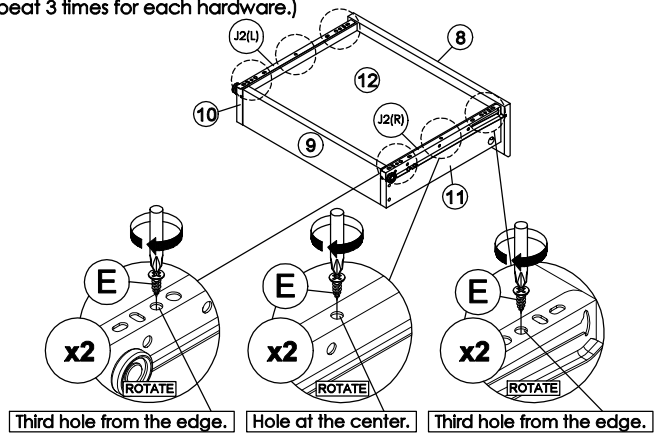
**STEP 11**

- Insert hardware A1 into panel (10) & (11). (Repeat 2 times.)  
- Attach panel (10) & (11) to panel (8).  
- Insert all hardware A2 into A1.  
- Rotate all A1 until tight.  
- Apply A3 onto all A1. (Repeat 2 times.)

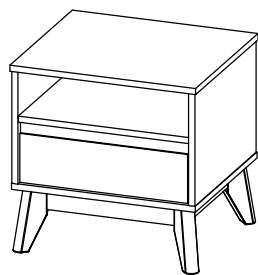


**STEP 12**

Assemble hardware J2 (L/R) to panel (10) & (11) by using hardware E. (Repeat 3 times for each hardware.)



CODING  
- 131196



ISO 9001:2015  
Reg. No. 00045-1-INT-1-QMS

[nuhoom.com](http://nuhoom.com)

## STEP 13

Pull all the drawer in place along the drawer slides.

