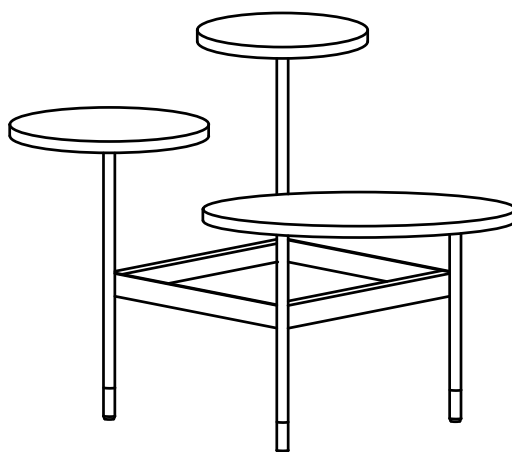


CODING

-131123








ISO 9001:2015
 Reg. No. 000435-1-MY-1-QMS



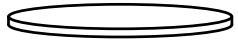



fyndfurniture.com

Read the instruction carefully. Remove all the wrapping material, staples and straps from the carton. Refer to the hardware and furniture part list for guidance. Be sure that you have all the parts before you start assembling. Place all the wooden furniture part on a clean and flat soft surface, such as carpet or rubbermat to prevent from scratches.

Caution

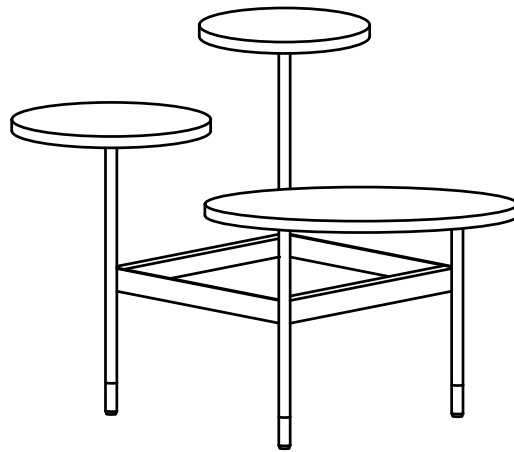
KEEP ALL PARTS OUT OF REACH OF CHILDREN.

ITEM	HARDWARE LIST	QTY
(A)	JCBC SCREW M8 X 20MM 	8
(B)	JCBC SCREW M6 X 15MM 	16
(C)	SPRING WASHER 5/16" 	24
(D)	FLAT WASHER 5/16" 	24
(E)	ALLEN KEY 4MM 	1
(F)	ALLEN KEY 5MM 	1

ITEM	PART LIST	QTY
(1)	BODY SMALL (Ø300) 	1
(2)	BODY MEDIUM (Ø350) 	1
(3)	BODY BIG (Ø400) 	1
(4)	LEG SHORT 	1
(5)	LEG TALL 	1
(6)	CENTER SUPPORT 	2

CODING

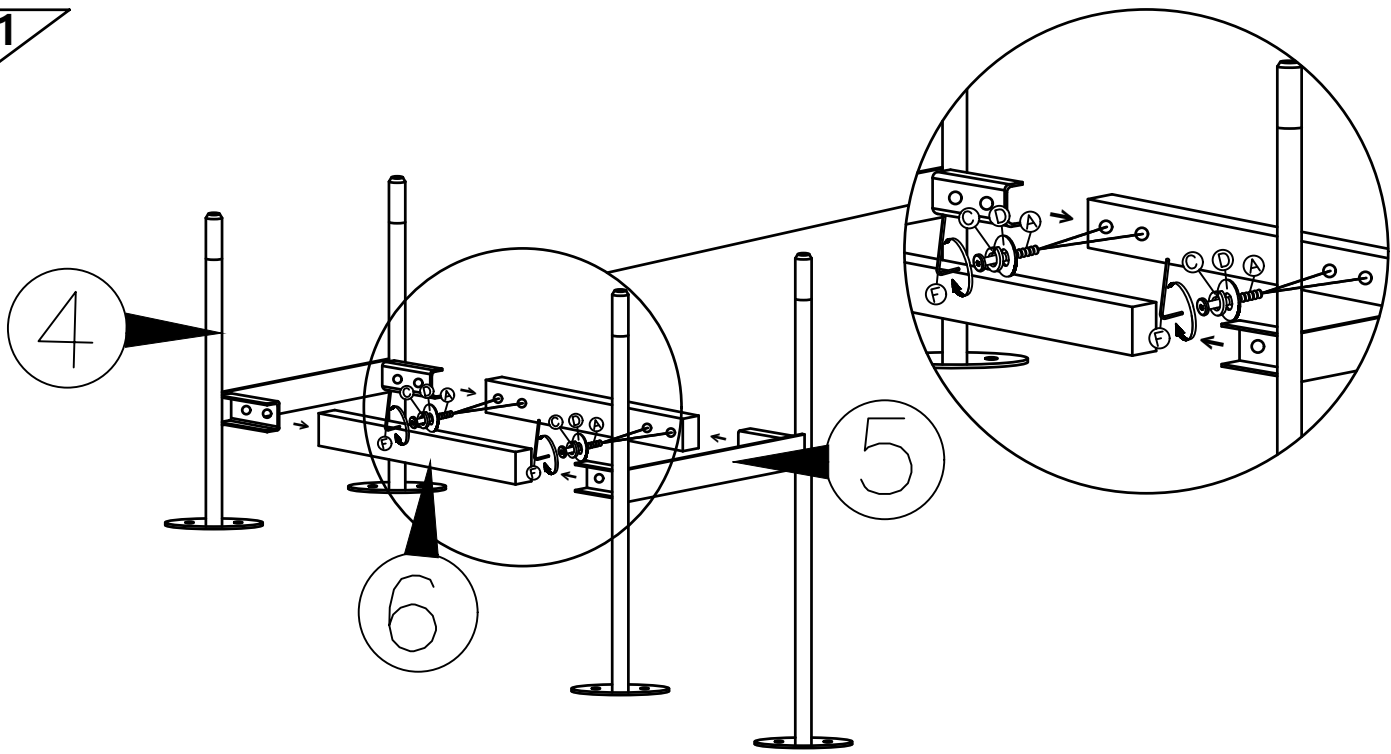
-131123



ISO 9001:2015
Reg. No. 000435-1-MY-1-QMS

fyndfurniture.com

1



2

