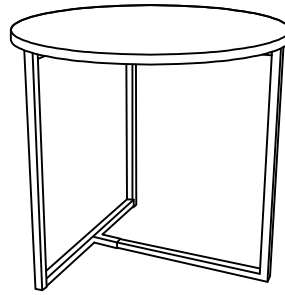


TURNER

CODING

-131109

-131110



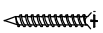


ISO 9001:2015
Reg. No. 000435-1-MY-1-QMS

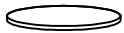


nesthouz.com

Read the instruction carefully. Remove all the wrapping material, staples and straps from the carton. Refer to the hardware and furniture part list for guidance. Be sure that you have all the parts before you start assembling. Place all the wooden furniture part on a assembling. Place all the wooden furniture part on a to prevent from scratches.

CAUTION

KEEP ALL THE PARTS OUT OF REACH OF CHILDREN .

ITEM	PHOTO	HAREWARE NAME	CHAIR
A		CSK Screw	3 pcs
B		JCBC Bolts	2 pcs
C		Allen Key	1 pc

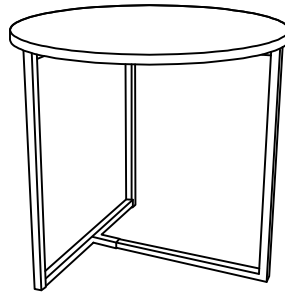
ITEM	PHOTO	PARTS NAME	CHAIR
1		Top Panel	1 pc
2		Metal Leg	1 pc
3		Metal Leg	1 pc

TURNER

CODING

-131109

-131110



ISO 9001:2015
Reg. No. 000435-1-MY-1-QMS

nesthouz.com

