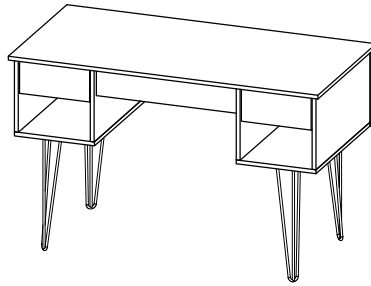


CODING
- 124056



ISO 9001:2015
Reg. No. 00035-1-MY-1-QMS

nuhoom.com

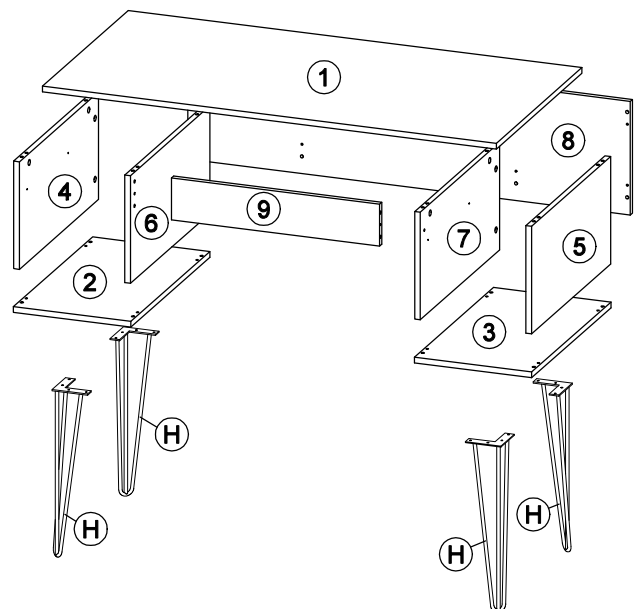
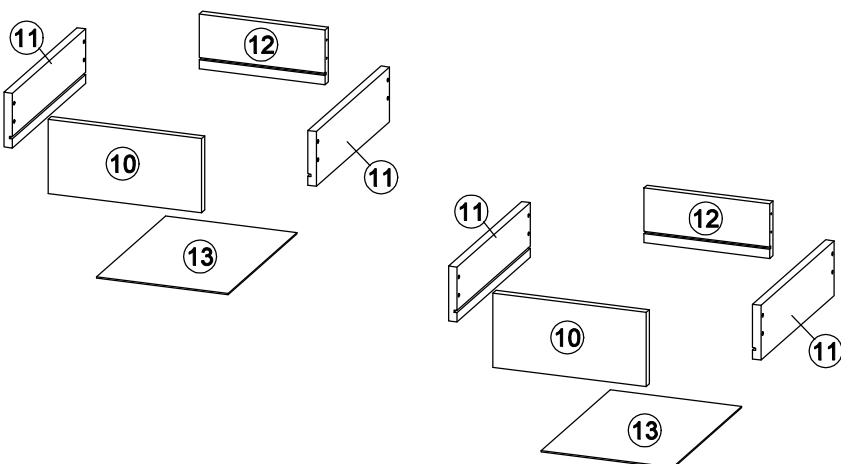
Read the instructions carefully. Remove all the wrappings, staples and straps from the carton. Refer to the hardware and furniture part list for guidance. Make sure that you have all the parts before you start assembling. Place all the wooden furniture parts on a clean, flat and soft surface, such as a carpet or rubbermat to prevent scratches.

CAUTION
KEEP ALL THE PARTS OUT OF CHILDREN'S REACH.

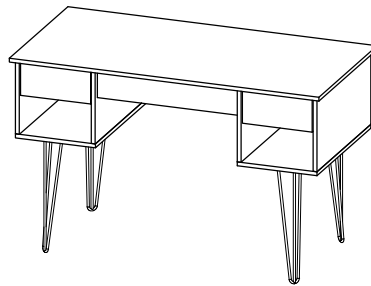
HARDWARE			
A	MINI FIX	A1 A2 A3	16 SETS
B	M8 X 30MM WOOD DOWEL		28 PCS
C	M6 X 50MM CSK CAP WOOD SCREW		10 PCS
D	M4 X 38MM C.B SCREW		16 PCS
E	M3.5 X 16MM C.B SCREW		40 PCS
F	ALLEN KEY M4		1 PC
G	14" DRAWER SLIDE	 	2 SETS
H	METAL LEG 90 x 90 x 8 x H440MM		4 PCS

SELF-PREPARED TOOLS: Tools below are NOT included in package.	
	SCREWDRIVER
	HAMMER

PART LIST		QTY
1	TOP PANEL	1 PC
2	BOTTOM PANEL	1 PC
3	BOTTOM PANEL (R)	1 PC
4	SIDE PANEL (L)	1 PC
5	SIDE PANEL (R)	1 PC
6	CENTER PANEL (L)	1 PC
7	CENTER PANEL (R)	1 PC
8	SCREEN PLATE	1 PC
9	MIDDLE PANEL	1 PC
10	DRAWER FRONT	2 PCS
11	DRAWER SIDE	4 PCS
12	DRAWER BACK	2 PCS
13	DRAWER BOTTOM	2 PCS



CODING
- 124056

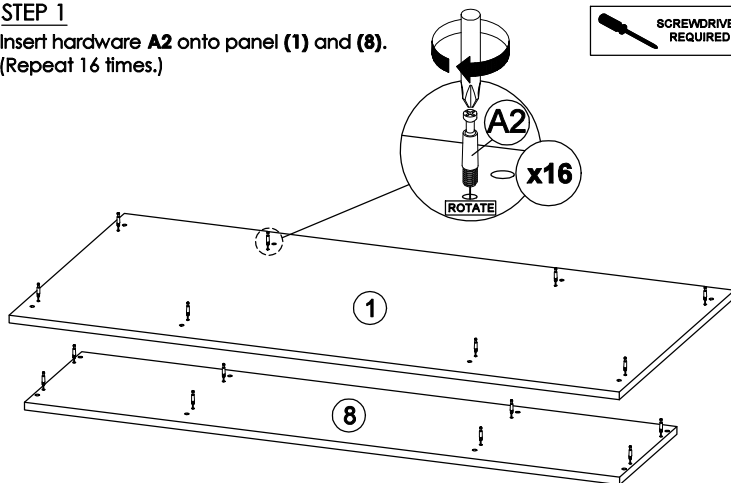


ISO 9001:2015
Reg. No. 00035-1-MY-1-QMS

nuhoom.com

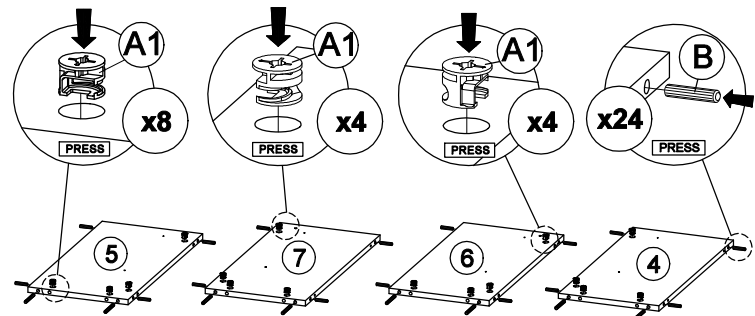
STEP 1

Insert hardware **A2** onto panel **(1)** and **(8)**.
(Repeat 16 times.)



STEP 2

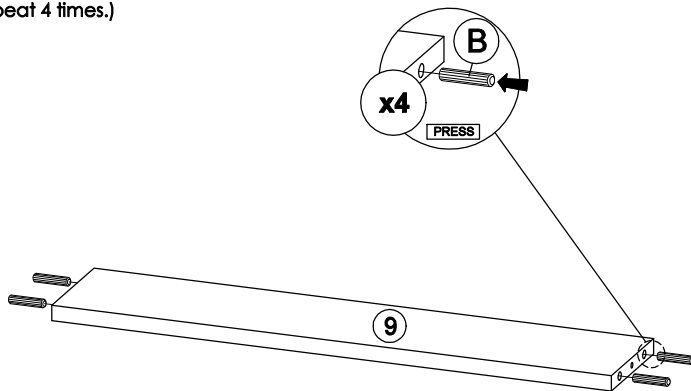
- Insert hardware **A1** onto panel **(4)**, **(5)**, **(6)** and **(7)**.
(Repeat 16 times.)
- Insert hardware **B** onto panel **(4)**, **(5)**, **(6)** and **(7)**.
(Repeat 24 times.)



* Ensure the arrows on hardware **A1** point towards mounting positions.

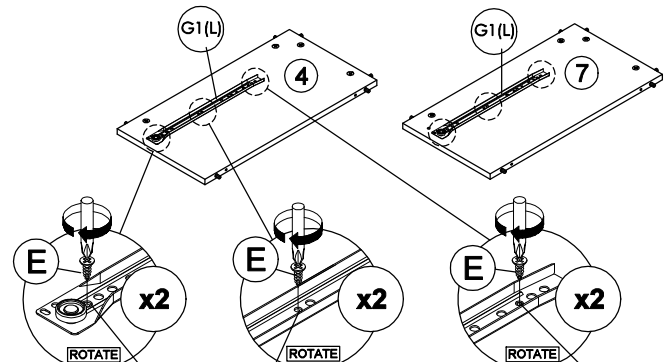
STEP 3

Insert hardware **B** onto panel **(9)**.
(Repeat 4 times.)



STEP 4

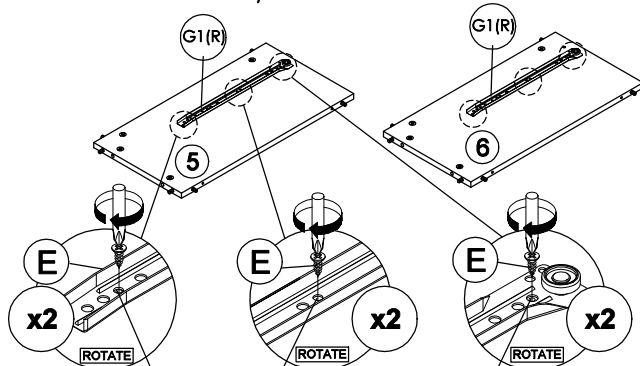
Fix hardware **G1 (L)** into panel **(4)** and **(7)** with hardware **E**.
(Repeat 3 times for each hardware.)



First hole from the edge. Small hole at the center. Third hole from the edge.

STEP 5

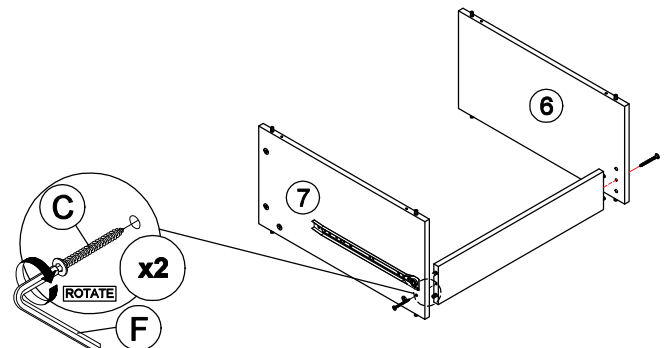
Fix hardware **G1 (R)** into panel **(5)** and **(6)** with hardware **E**.
(Repeat 3 times for each hardware.)



Third hole from the edge. Small hole at the center. First hole from the edge.

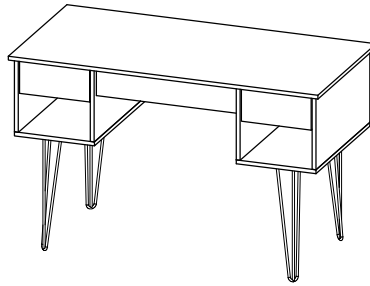
STEP 6

Connect panel **(9)** to panel **(6)** and **(7)** by using hardware **C** and **F**.
(Repeat 2 times.)



* In this step hardware **B** are pre-inserted.

CODING
- 124056

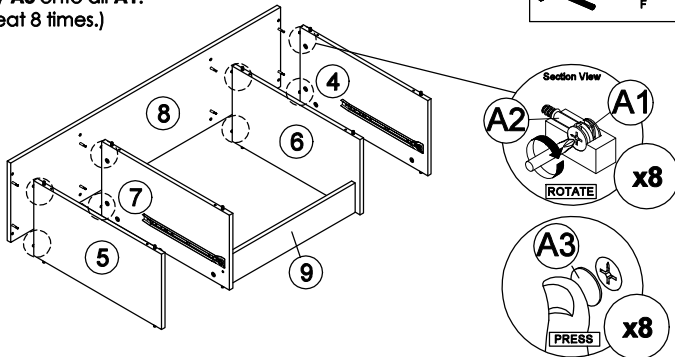
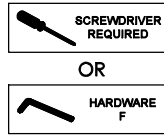


ISO 9001:2015
Reg. No. 00043-1-MY-1-QMS

nuhoom.com

STEP 7

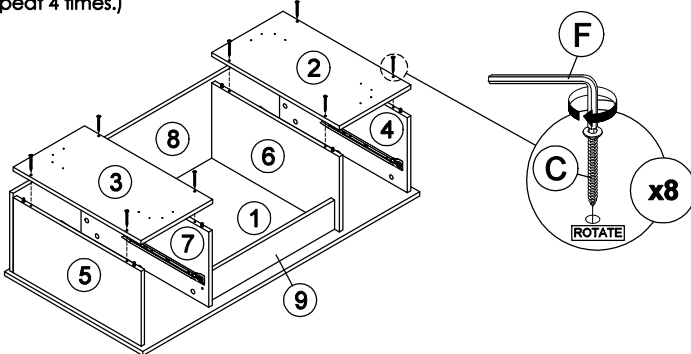
- Attach panel (4), (5), (6) and (7) to panel (8).
- Insert all hardware A2 into A1.
- Rotate all A1 until tight.
- Apply A3 onto all A1.
- (Repeat 8 times.)



* In this step hardware A1, A2 and B are pre-inserted.

STEP 9

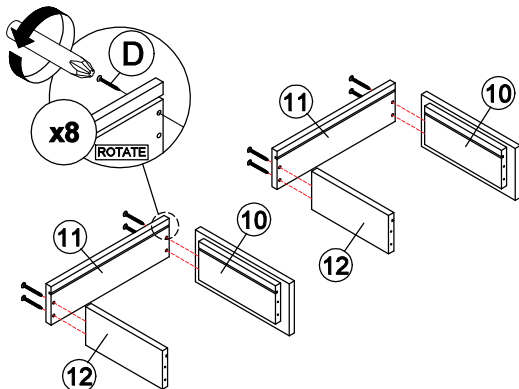
- Connect panel (2) to panel (4) and (6) by using hardware C and F.
- (Repeat 4 times.)
- Connect panel (3) to panel (5) and (7) by using hardware C and F.
- (Repeat 4 times.)



* In this step hardware B are pre-inserted.

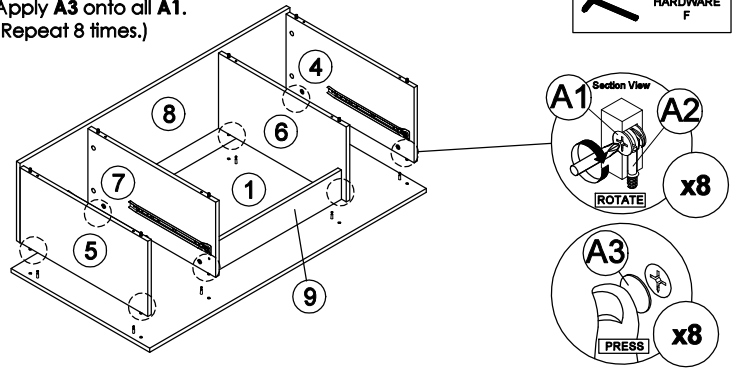
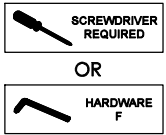
STEP 11

- Assemble panel (11) with panel (10) and (12) by using hardware D.
- (Repeat 8 times.)



STEP 8

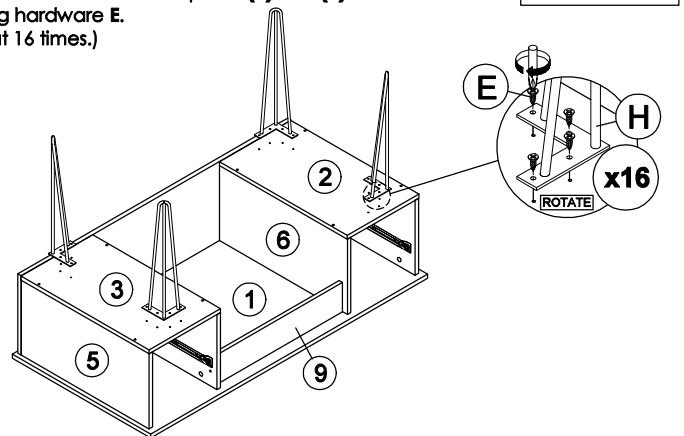
- Attach panel (4), (5), (6) and (7) to panel (1).
- Insert all hardware A2 into A1.
- Rotate all A1 until tight.
- Apply A3 onto all A1.
- (Repeat 8 times.)



* In this step hardware A1, A2 and B are pre-inserted.

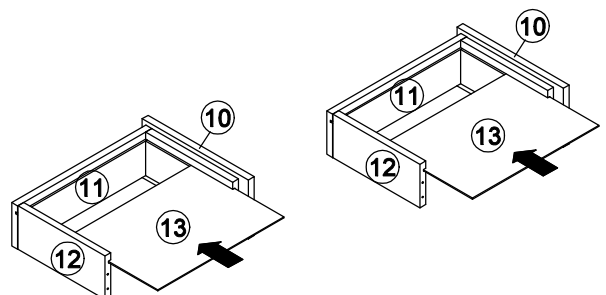
STEP 10

- Assemble hardware H onto panel (2) and (3) by using hardware E.
- (Repeat 16 times.)

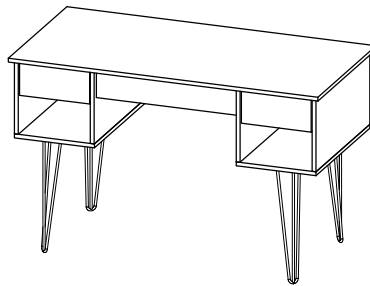


STEP 12

- Insert the panel (13) along the slot.
- (Repeat 2 times.)



CODING
- 124056

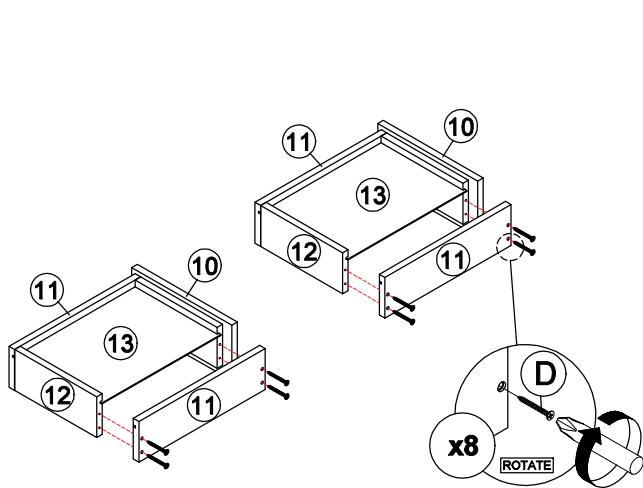


ISO 9001:2015
Reg. No. 00043-1-MY-1-QMS

nuhoom.com

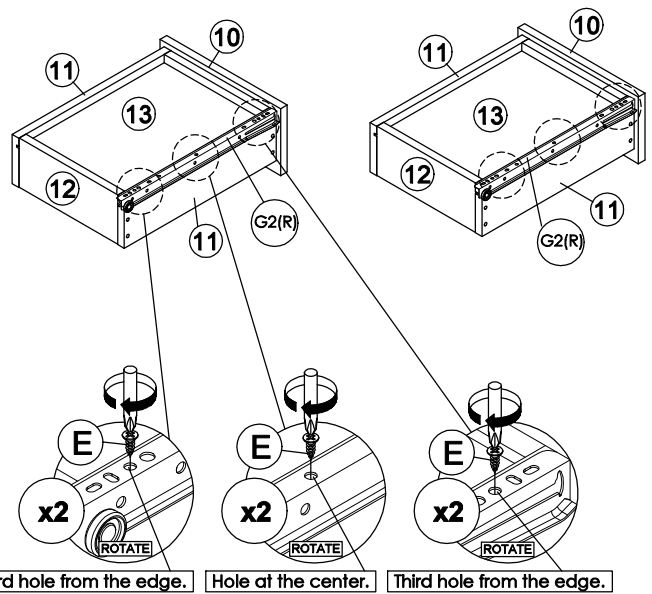
STEP 13

Assemble panel (11) with panel (10) and (12) by using hardware D. (Repeat 8 times.)



STEP 14

Assemble hardware G2 (R) to panel (11) by using hardware E. (Repeat 3 times for each hardware.)

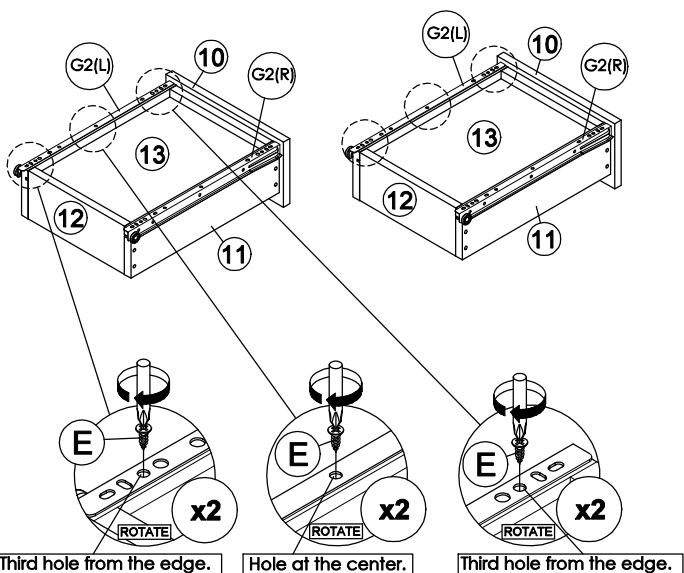


Third hole from the edge. Hole at the center. Third hole from the edge.

*Hardware G2 (R) shall be leaning against panel (10) when assembling.

STEP 15

Assemble hardware G2 (L) to panel (11) by using hardware E. (Repeat 3 times for each hardware.)



Third hole from the edge. Hole at the center. Third hole from the edge.

*Hardware N2 (L) shall be leaning against panel (13) or (14) when assembling.

STEP 16

Put all the drawer in place along the drawer slides.

