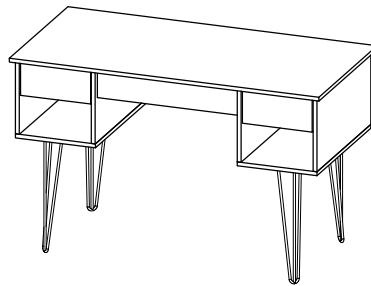


**CODING**  
- 124055



ISO 9001:2015  
Reg. No. 00035-1-MY-1-QMS

**nuhoom.com**

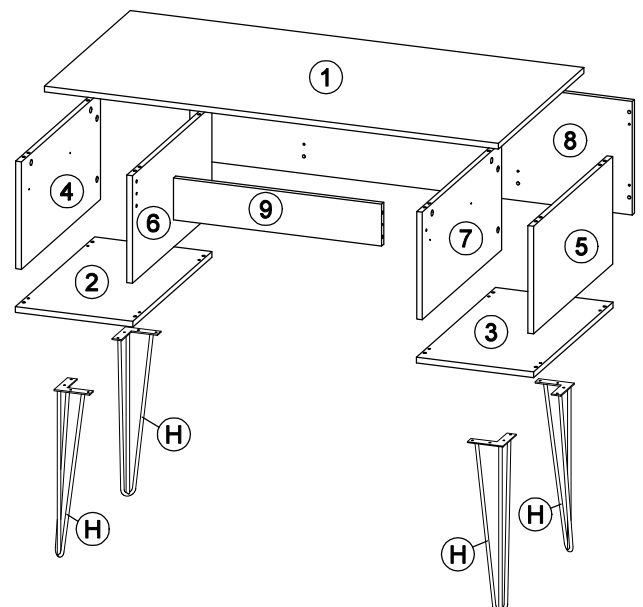
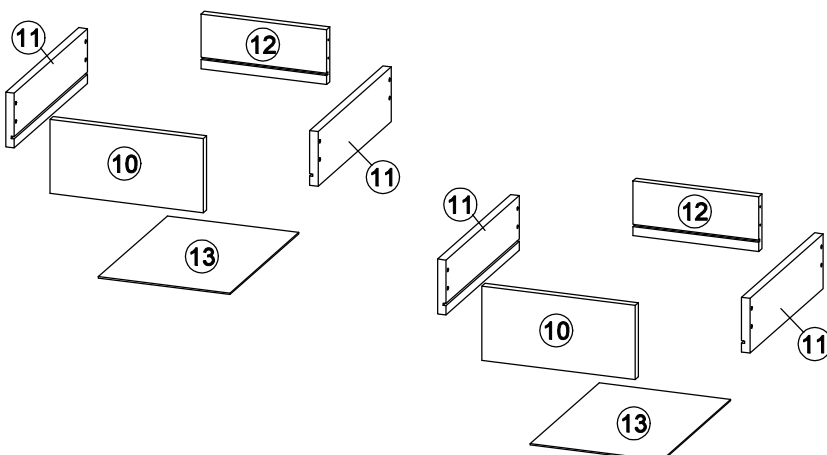
Read the instructions carefully. Remove all the wrappings, staples and straps from the carton. Refer to the hardware and furniture part list for guidance. Make sure that you have all the parts before you start assembling. Place all the wooden furniture parts on a clean, flat and soft surface, such as a carpet or rubbermat to prevent scratches.

**CAUTION**  
KEEP ALL THE PARTS OUT OF CHILDREN'S REACH.

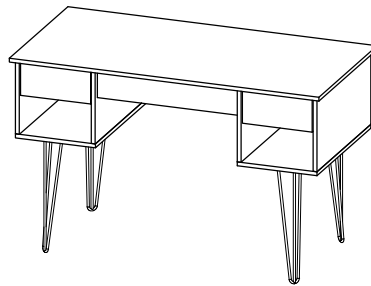
HARDWARE			
A	MINI FIX	A1  A2  A3	16 SETS
B	M8 X 30MM WOOD DOWEL		28 PCS
C	M6 X 50MM CSK CAP WOOD SCREW		10 PCS
D	M4 X 38MM C.B SCREW		16 PCS
E	M3.5 X 16MM C.B SCREW		40 PCS
F	ALLEN KEY M4		1 PC
G	14" DRAWER SLIDE	 	2 SETS
H	METAL LEG 90 x 90 x 8 x H440MM		4 PCS

SELF-PREPARED TOOLS: Tools below are NOT included in package.	
	SCREWDRIVER
	HAMMER

PART LIST		QTY
1	TOP PANEL	1 PC
2	BOTTOM PANEL	1 PC
3	BOTTOM PANEL (R)	1 PC
4	SIDE PANEL (L)	1 PC
5	SIDE PANEL (R)	1 PC
6	CENTER PANEL (L)	1 PC
7	CENTER PANEL (R)	1 PC
8	SCREEN PLATE	1 PC
9	MIDDLE PANEL	1 PC
10	DRAWER FRONT	2 PCS
11	DRAWER SIDE	4 PCS
12	DRAWER BACK	2 PCS
13	DRAWER BOTTOM	2 PCS



**CODING**  
- 124055

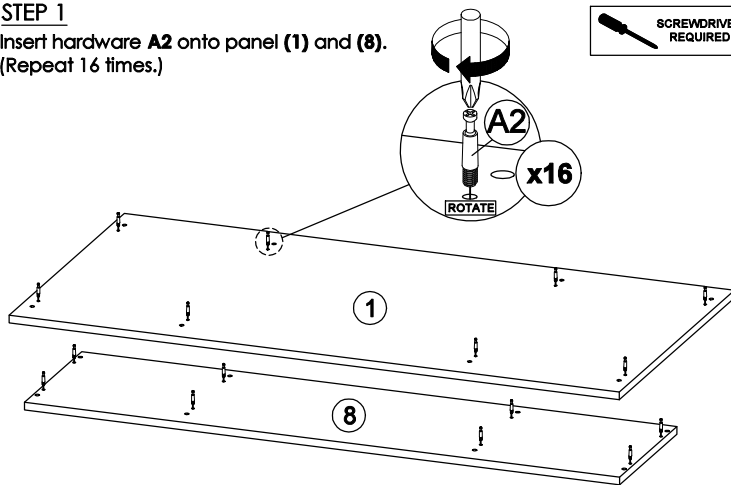


ISO 9001:2015  
Reg. No. 00035-1-MY-1-QMS

nuhoom.com

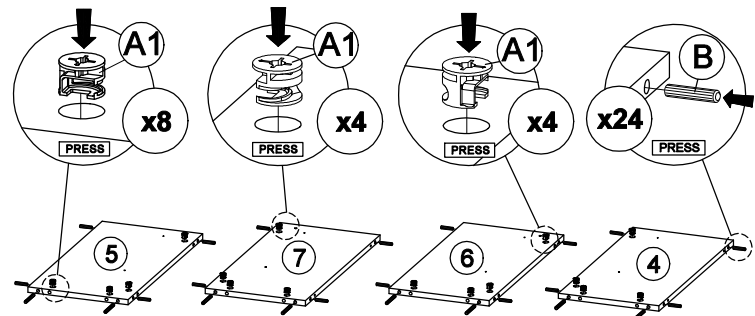
**STEP 1**

Insert hardware **A2** onto panel **(1)** and **(8)**.  
(Repeat 16 times.)



**STEP 2**

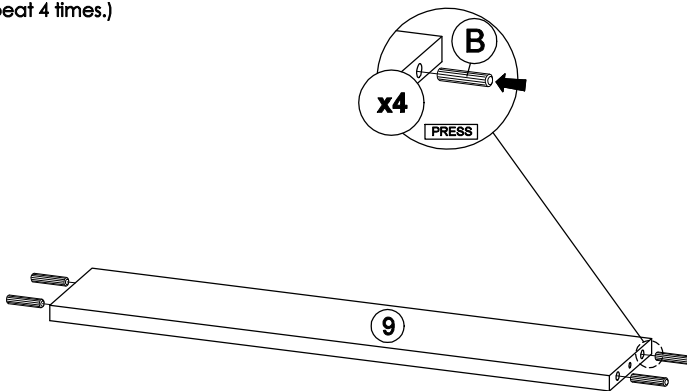
- Insert hardware **A1** onto panel **(4)**, **(5)**, **(6)** and **(7)**.  
(Repeat 16 times.)  
- Insert hardware **B** onto panel **(4)**, **(5)**, **(6)** and **(7)**.  
(Repeat 24 times.)



\* Ensure the arrows on hardware **A1** point towards mounting positions.

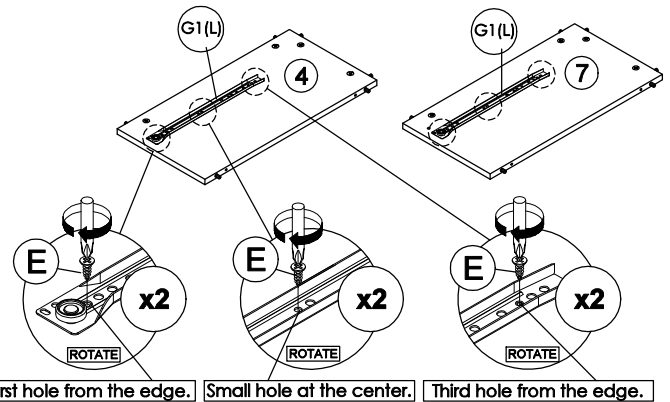
**STEP 3**

Insert hardware **B** onto panel **(9)**.  
(Repeat 4 times.)



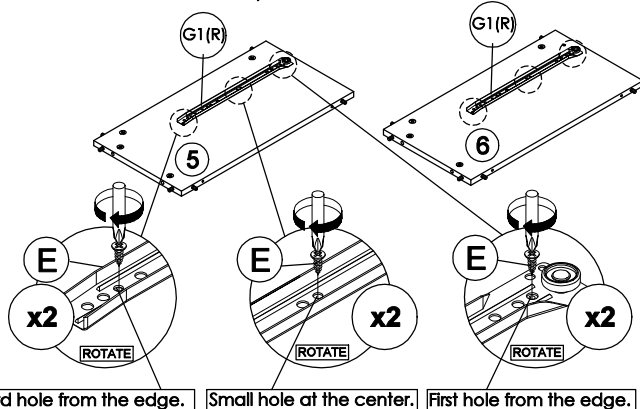
**STEP 4**

Fix hardware **G1 (L)** into panel **(4)** and **(7)** with hardware **E**.  
(Repeat 3 times for each hardware.)



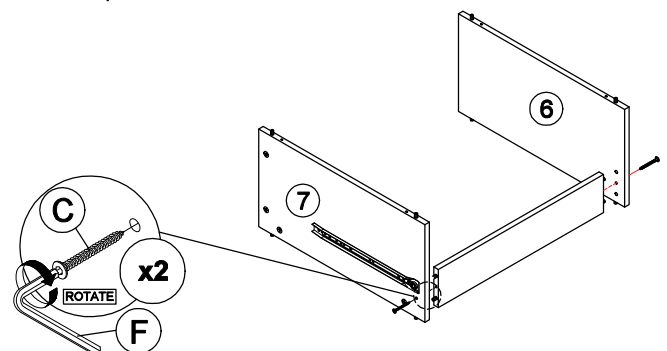
**STEP 5**

Fix hardware **G1 (R)** into panel **(5)** and **(6)** with hardware **E**.  
(Repeat 3 times for each hardware.)



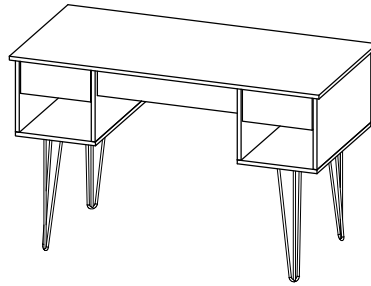
**STEP 6**

Connect panel **(9)** to panel **(6)** and **(7)** by using hardware **C** and **F**.  
(Repeat 2 times.)



\* In this step hardware **B** are pre-inserted.

**CODING**  
- 124055

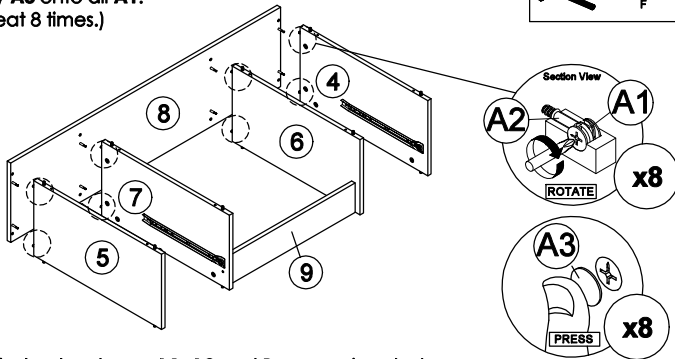
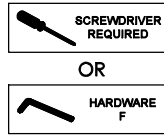


ISO 9001:2015  
Reg. No. 00043-1-MY-1-QMS

nuhoom.com

**STEP 7**

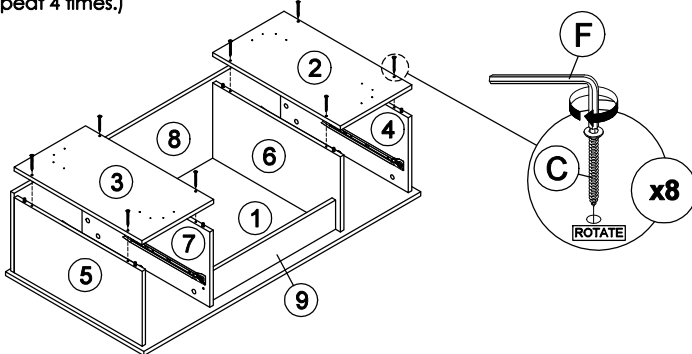
- Attach panel (4), (5), (6) and (7) to panel (8).
- Insert all hardware A2 into A1.
- Rotate all A1 until tight.
- Apply A3 onto all A1.
- (Repeat 8 times.)



\* In this step hardware A1, A2 and B are pre-inserted.

**STEP 9**

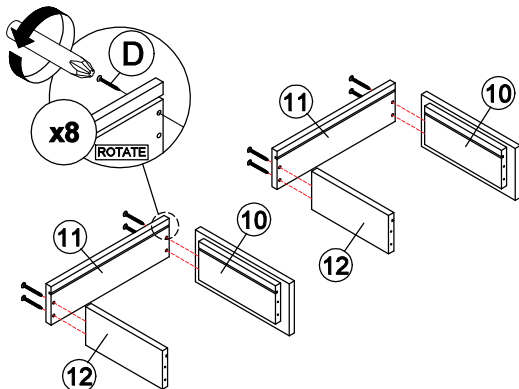
- Connect panel (2) to panel (4) and (6) by using hardware C and F.
- (Repeat 4 times.)
- Connect panel (3) to panel (5) and (7) by using hardware C and F.
- (Repeat 4 times.)



\* In this step hardware B are pre-inserted.

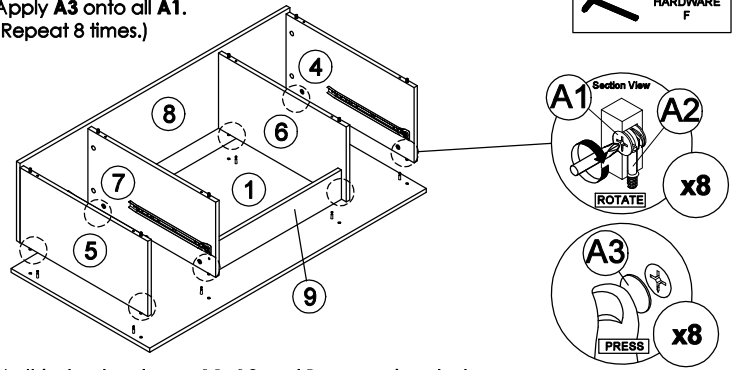
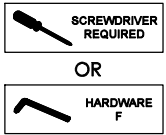
**STEP 11**

- Assemble panel (11) with panel (10) and (12) by using hardware D.
- (Repeat 8 times.)



**STEP 8**

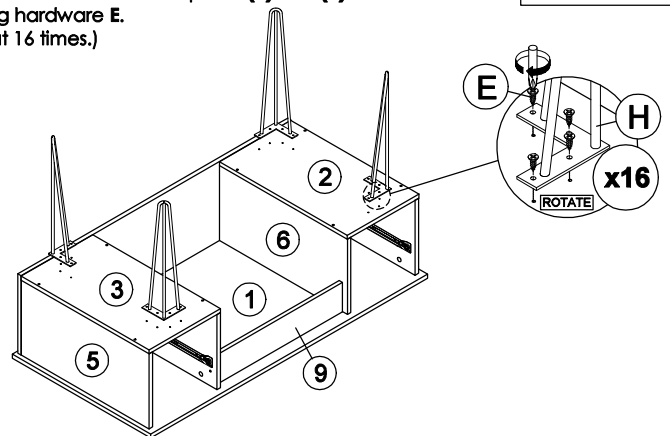
- Attach panel (4), (5), (6) and (7) to panel (1).
- Insert all hardware A2 into A1.
- Rotate all A1 until tight.
- Apply A3 onto all A1.
- (Repeat 8 times.)



\* In this step hardware A1, A2 and B are pre-inserted.

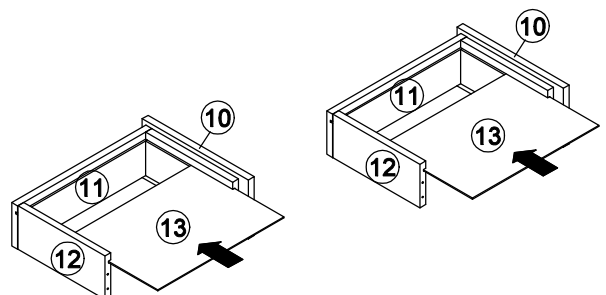
**STEP 10**

- Assemble hardware H onto panel (2) and (3) by using hardware E.
- (Repeat 16 times.)

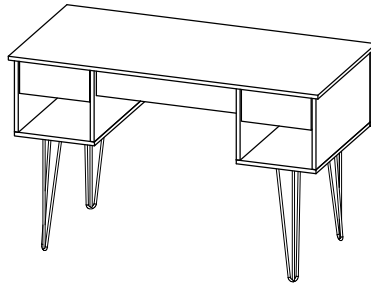


**STEP 12**

- Insert the panel (13) along the slot.
- (Repeat 2 times.)



**CODING**  
- 124055

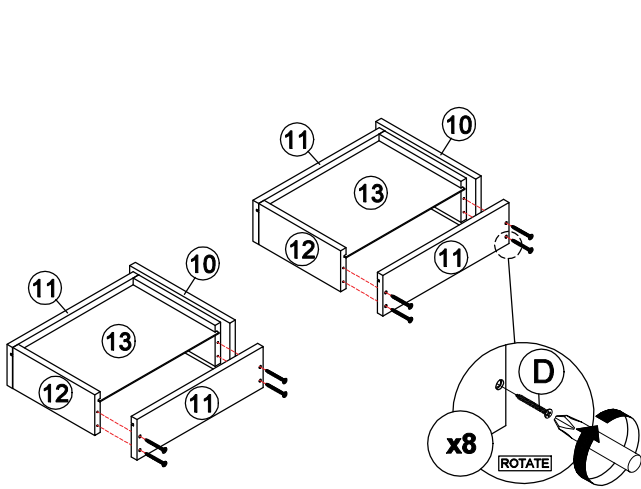


ISO 9001:2015  
Reg. No. 00043-1-MY-1-QMS

nuhoom.com

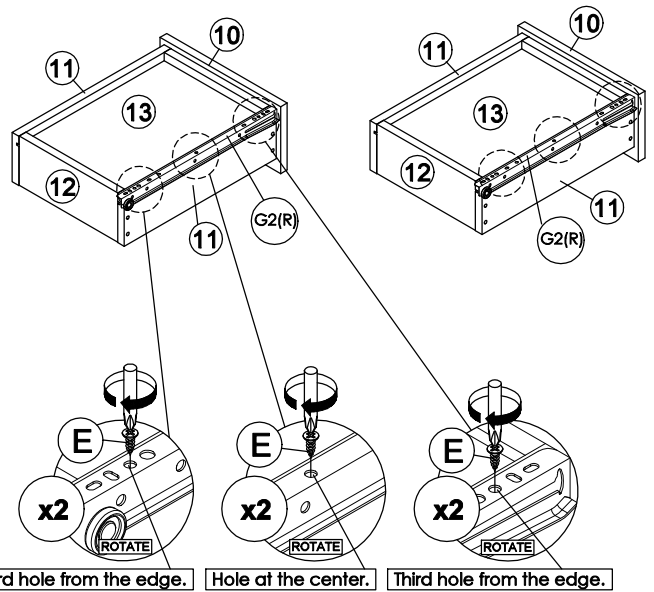
**STEP 13**

Assemble panel (11) with panel (10) and (12) by using hardware D. (Repeat 8 times.)



**STEP 14**

Assemble hardware G2 (R) to panel (11) by using hardware E. (Repeat 3 times for each hardware.)

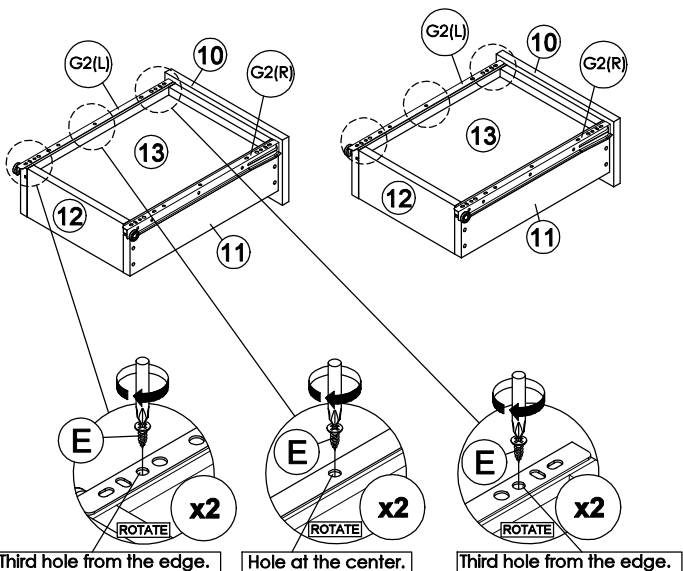


Third hole from the edge. Hole at the center. Third hole from the edge.

\*Hardware G2 (R) shall be leaning against panel (10) when assembling.

**STEP 15**

Assemble hardware G2 (L) to panel (11) by using hardware E. (Repeat 3 times for each hardware.)



Third hole from the edge. Hole at the center. Third hole from the edge.

\*Hardware N2 (L) shall be leaning against panel (13) or (14) when assembling.

**STEP 16**

Put all the drawer in place along the drawer slides.

