

CODING
-124009



ISO 9001:2015
Reg. No. 000435-1-MY-1-QMS

fynd.
FURNITURE

Read the instruction carefully. Remove all the wrapping material. Staples and straps from the carton. Refer to the hardware and furniture part list for guidance. Be sure that you have all the parts before you start assembling. Place all the wooden furniture part on a clean and flat soft surface, such as carpet or rubbermat to prevent from scratches

CAUTION
KEEP ALL THE PARTS OUT REACH OF CHILDREN

ITEM	PHOTO	HARDWARE NAME	QTY
(A)		Wooden peg Ø8x40	18
(B)		Allen key 4mm	1
(C)		Bolts (M6x50)	18
(D)		Flat washers (Ø6xØ14)	18
(E)		Bolts (M6x40)	4
(F)		Flat washers (Ø8xØ18)	4

ITEM	PHOTO	PARTS NAME	SPARE QTY
(1)		Left frame	1
(2)		Right frame	1
(3)		Main body	1
(4)		Bar	1
(5)		Shelf	1
(6)		Shelf	1
(7)		Shelf	1

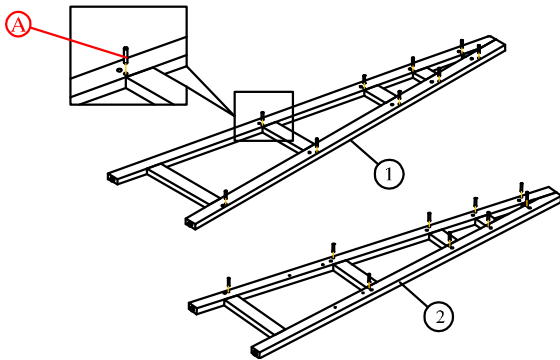
CODING
-124009



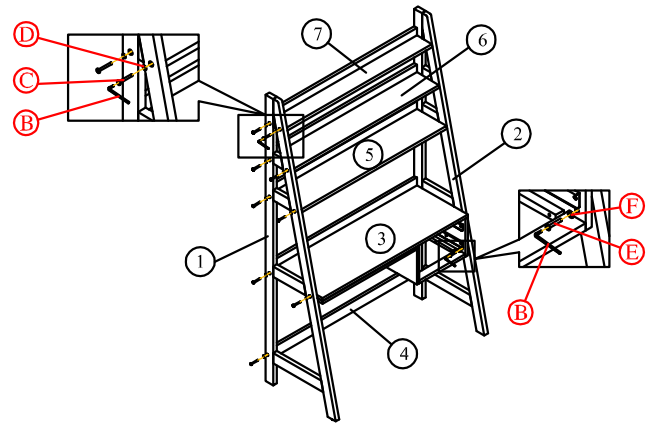
ISO 9001:2015
Reg. No. 000435-1-MY-1-QMS

fynd.
FURNITURE

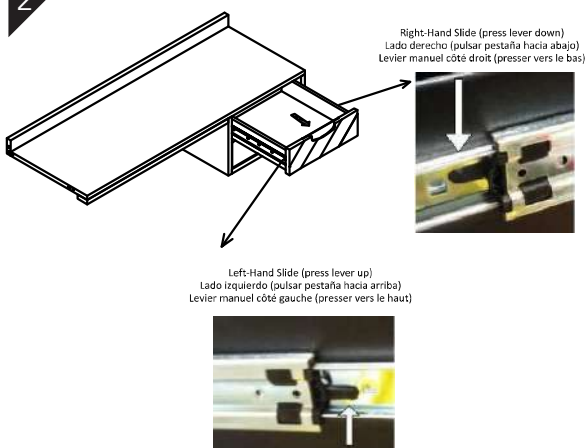
1



3



2



4

