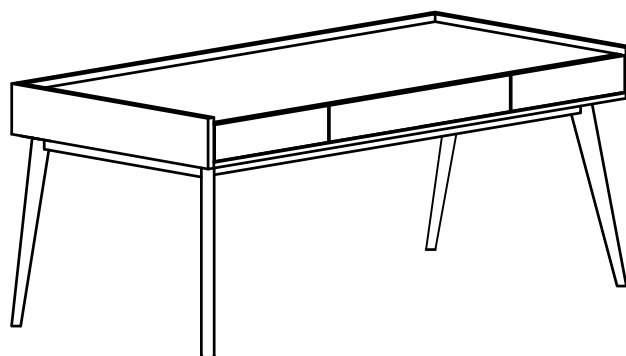


CODING

-123036







ISO 9001:2015
Reg. No. 000435-1-MY-1-QMS


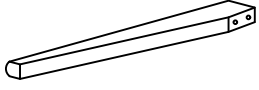
nesthouz.com

Read the instruction carefully. Remove all the wrapping material, staples and straps from the carton. Refer to the hardware and furniture part list for guidance. Be sure that you have all the parts before you start assembling. Place all the wooden furniture part on a clean and flat soft surface, such as carpet or rubbermat to prevent from scratches.

Caution

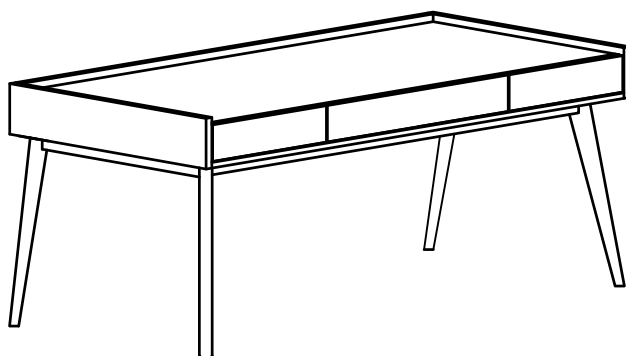
KEEP ALL PARTS OUT OF REACH OF CHILDREN.

ITEM	HARDWARE LIST	QTY
Ⓐ	JCBC SCREW M6 X 60MM 	8
Ⓑ	SPRING WASHER M5 	8
Ⓒ	FLAT WASHER M8 	8
Ⓓ	ALLEN KEY M6 	1

ITEM	PART LIST	QTY
①	TOP 	1
②	TABLE LEG 	4

CODING

-123036



ISO 9001:2015
Reg. No. 000435-1-MY-1-QMS

nesthouz.com

1

