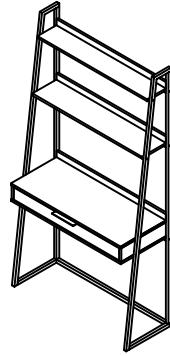


CODING
-123035



ISO 9001: 2015
Reg. No. 000435-1-MY-1-QMS

LUooma.com

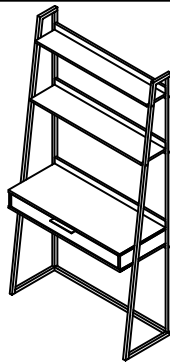
Read the instructions carefully. Remove all the wrappings, staples and straps from the carton. Refer to the hardware and furniture part list for guidance. Make sure that you have all the parts before you start assembling. Place all the wooden furniture parts on a clean, flat and soft surface, such as a carpet or rubbermat to prevent scratches.

CAUTION
KEEP ALL THE PARTS OUT OF CHILDREN'S REACH.

ITEM	PHOTO	HARDWARE NAME	QTY
(A)		Allen Key M4	1
(B)		Plastic Dowel M8x25	17
(C)		Mini Fix Bolt	6
(D)		Mini Fix Housing	6
(E)		Mini Fix Cap	6
(F)		CSK Screw M3.5x16mm	22
(G)		CSK Screw M4x50mm	17
(H)		CSK Screw M4x32mm	18
(I)		JCBC W Screw M6x40	4
(J)		JCBC Screw M6x50 Flat & Spring Washers	14
(K)		Handle	1
(L)		14" Drawer Slide	4
(M)		L Bracket	4

ITEM	PHOTO	PART NAME	QTY
(1)		Top Rack	1
(2)		Middle Rack	1
(3)		Top Panel	1
(4)		Plinth Panel	3
(5)		Bottom Panel	1
(6)		Side Panel (L)	1
(7)		Side Panel (R)	1
(8)		Back Panel	1
(9)		Metal Frame Leg (L)	1
(10)		Metal Frame Leg (R)	1
(11)		Metal Support Legs	6
(12)		Metal Bottom Leg	1
(13)		Drawer Front Panel	1
(14)		Drawer Side Panel	2
(15)		Drawer Back Panel	1
(16)		Drawer Bottom Panel	1
(17)		Drawer Support Bar	1

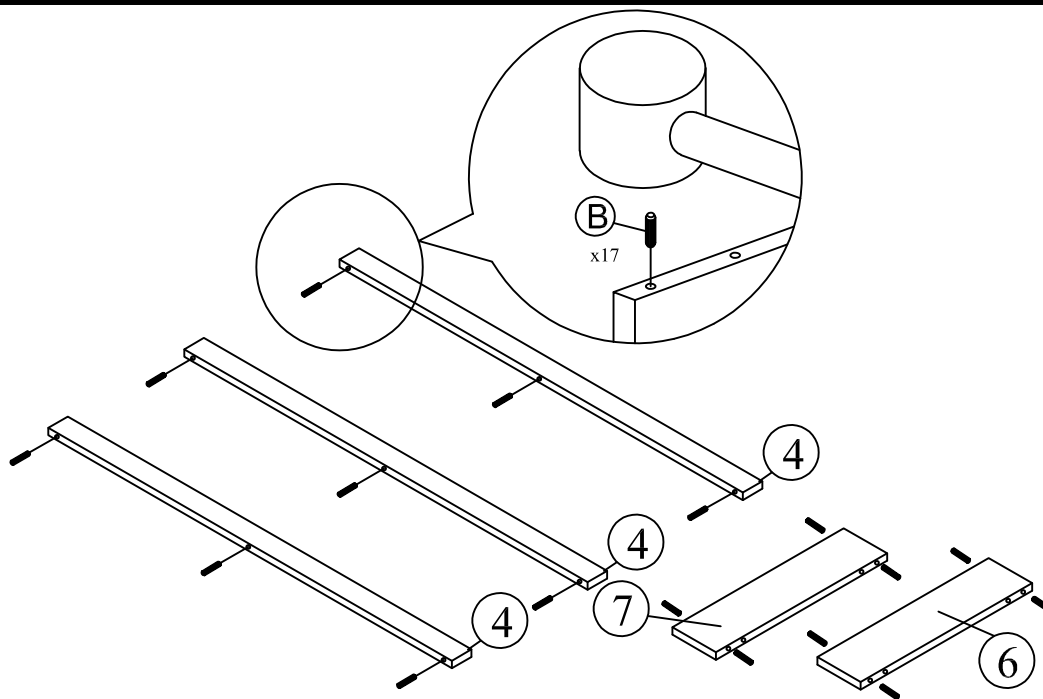
CODING
-123035



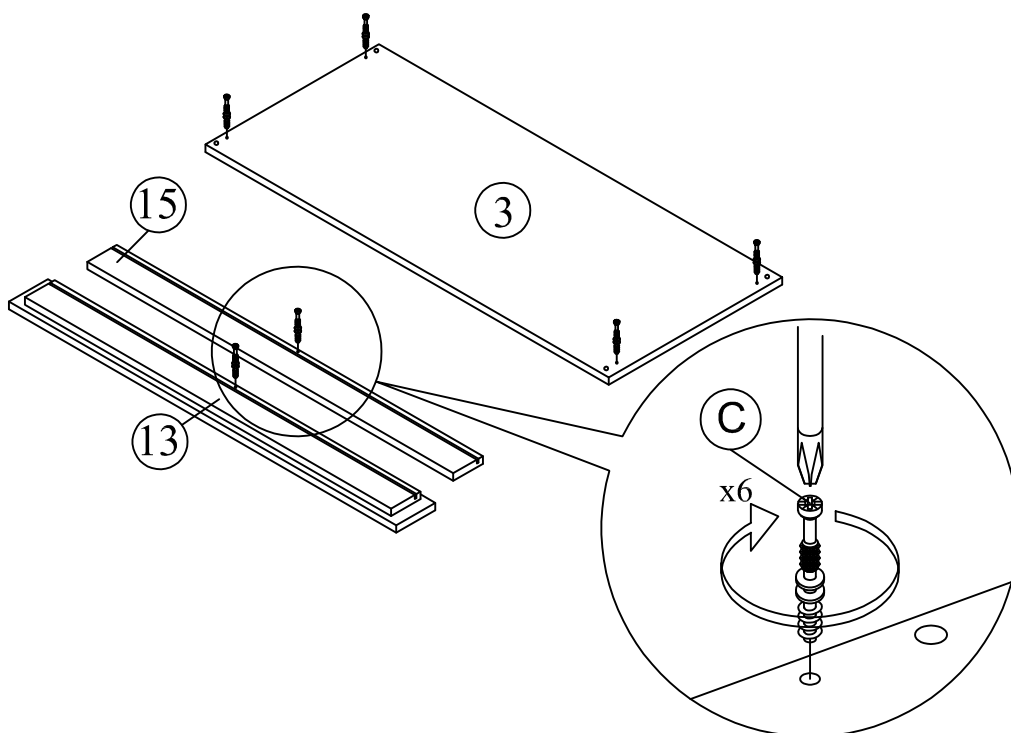
ISO 9001: 2015
Reg. No. 000435-1-MY-1-QMS

LUOMA.COM

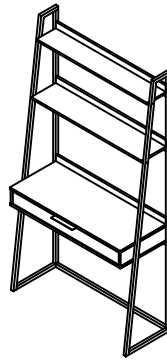
1



2



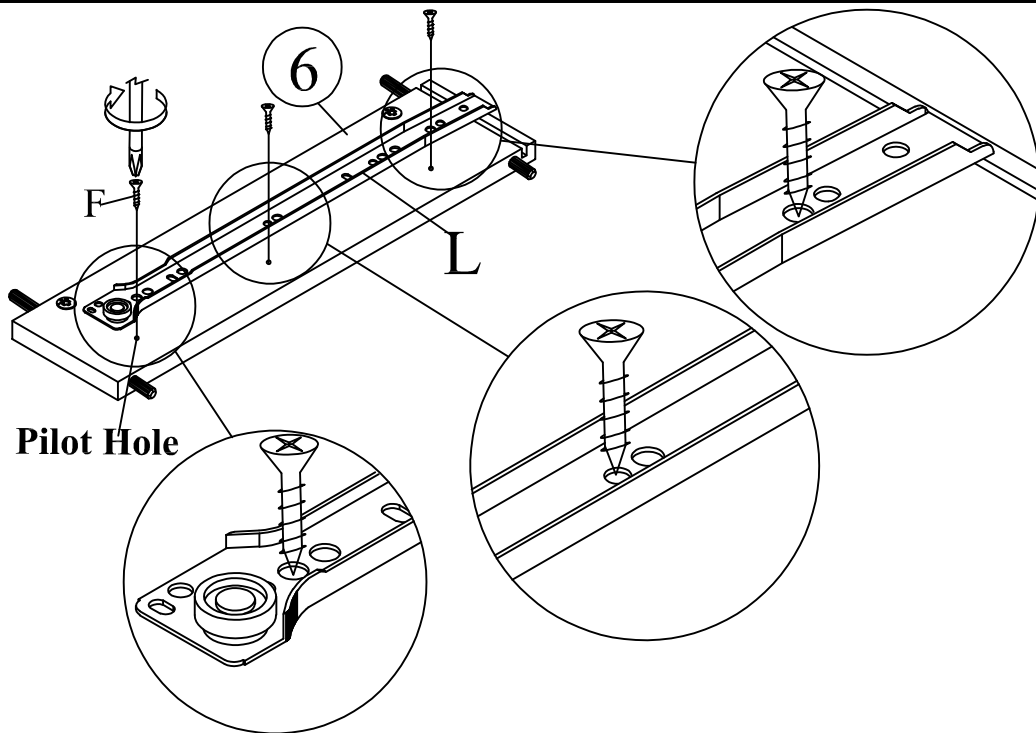
CODING
-123035



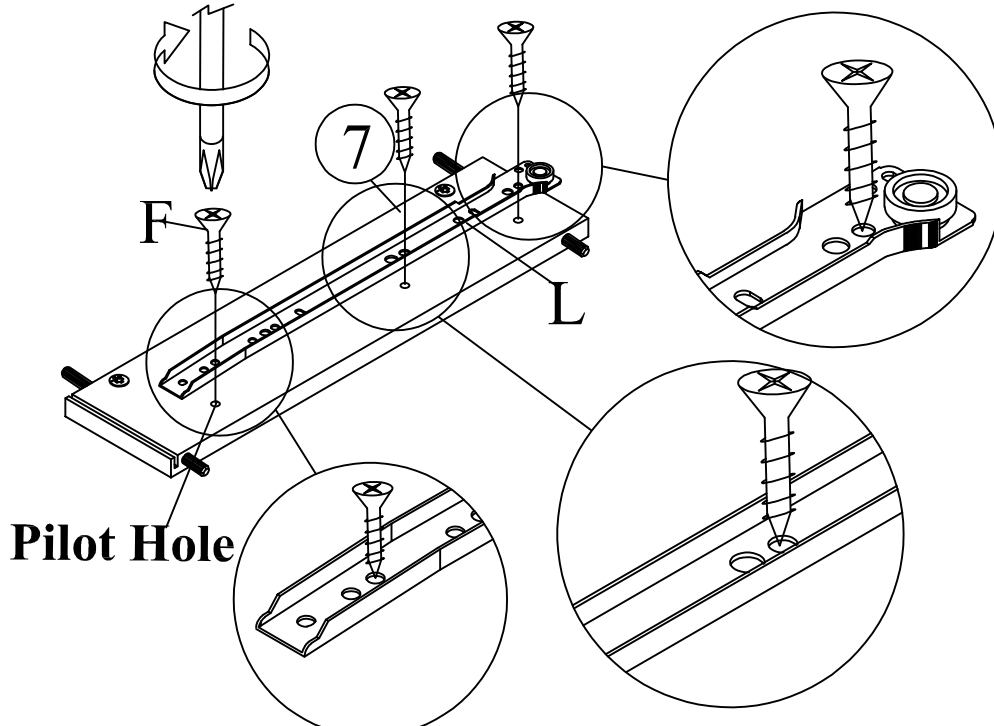
ISO 9001: 2015
Reg. No. 000435-1-MY-1-QMS

LUOMA.COM

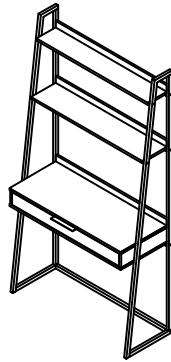
3



4



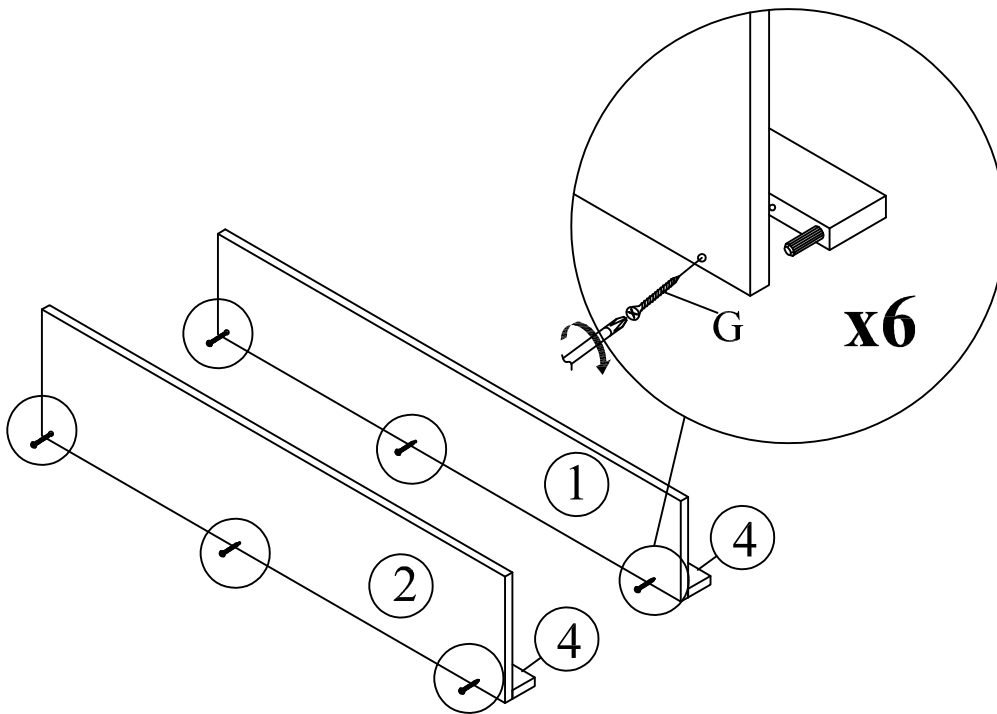
CODING
-123035



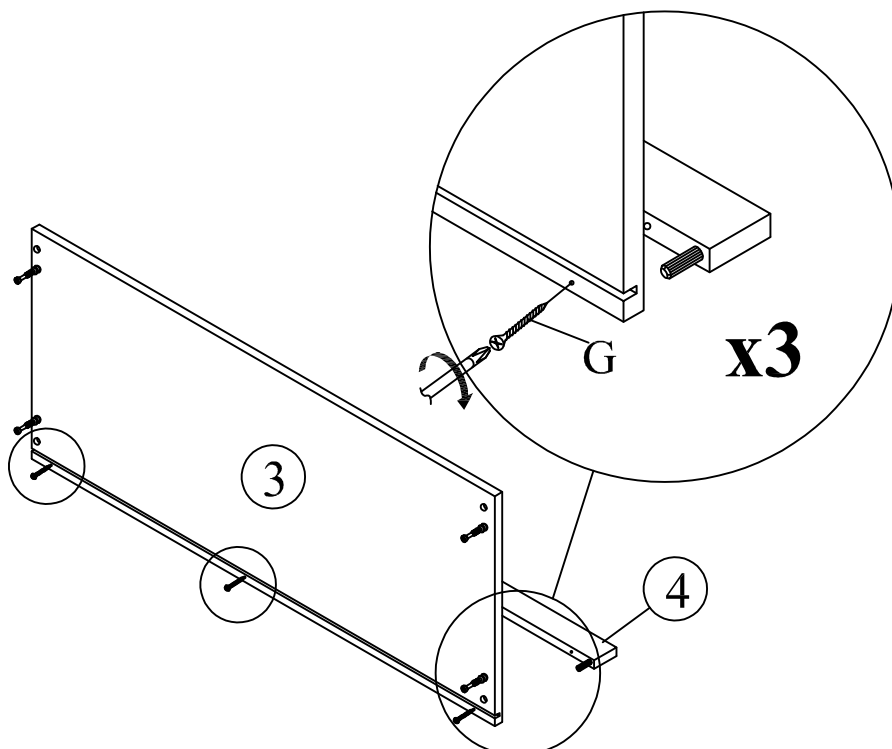
ISO 9001: 2015
Reg. No. 000435-1-MY-1-QMS

LUOMA.COM

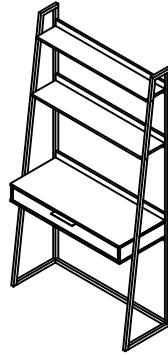
5



6



CODING
-123035



ISO 9001: 2015
Reg. No. 000435-1-MY-1-QMS

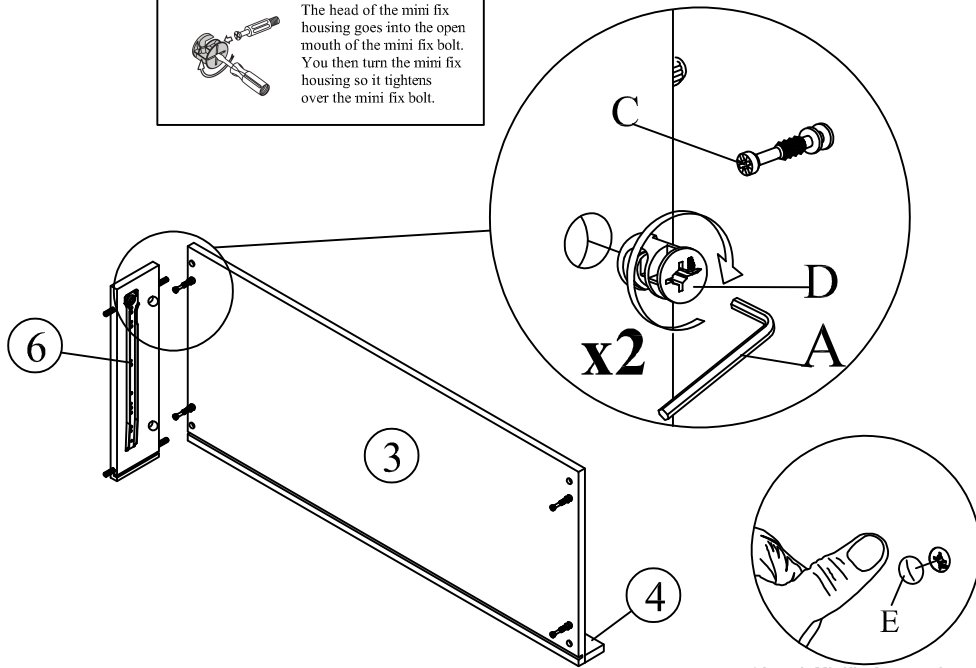
LUOMA.COM

7

This is how a mini fix works...



The head of the mini fix housing goes into the open mouth of the mini fix bolt. You then turn the mini fix housing so it tightens over the mini fix bolt.

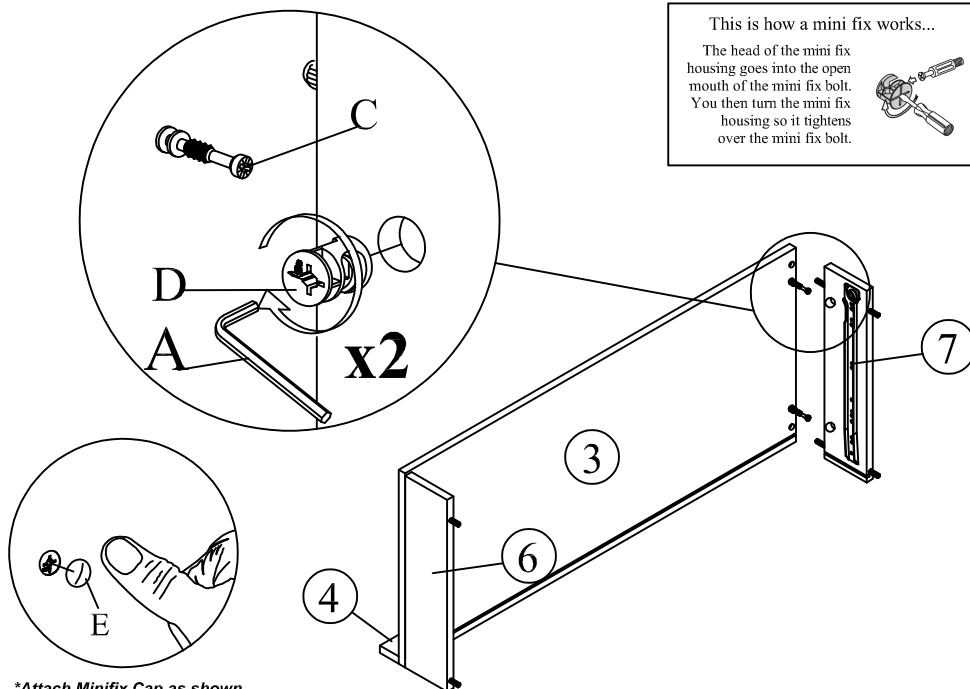


*Attach Minifix Cap as shown.

8

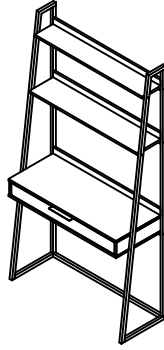
This is how a mini fix works...

The head of the mini fix housing goes into the open mouth of the mini fix bolt. You then turn the mini fix housing so it tightens over the mini fix bolt.



*Attach Minifix Cap as shown.

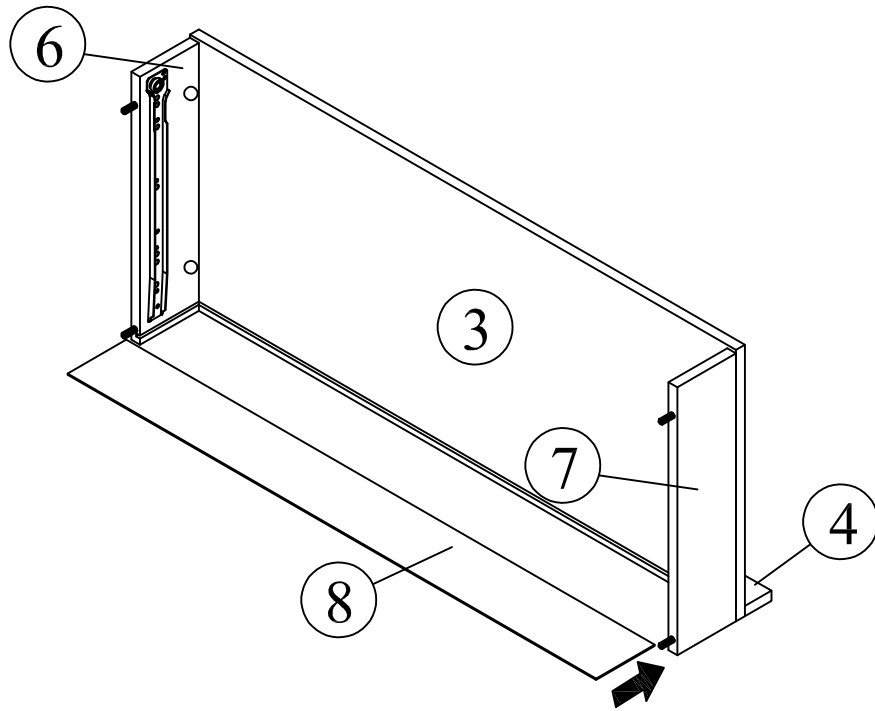
CODING
-123035



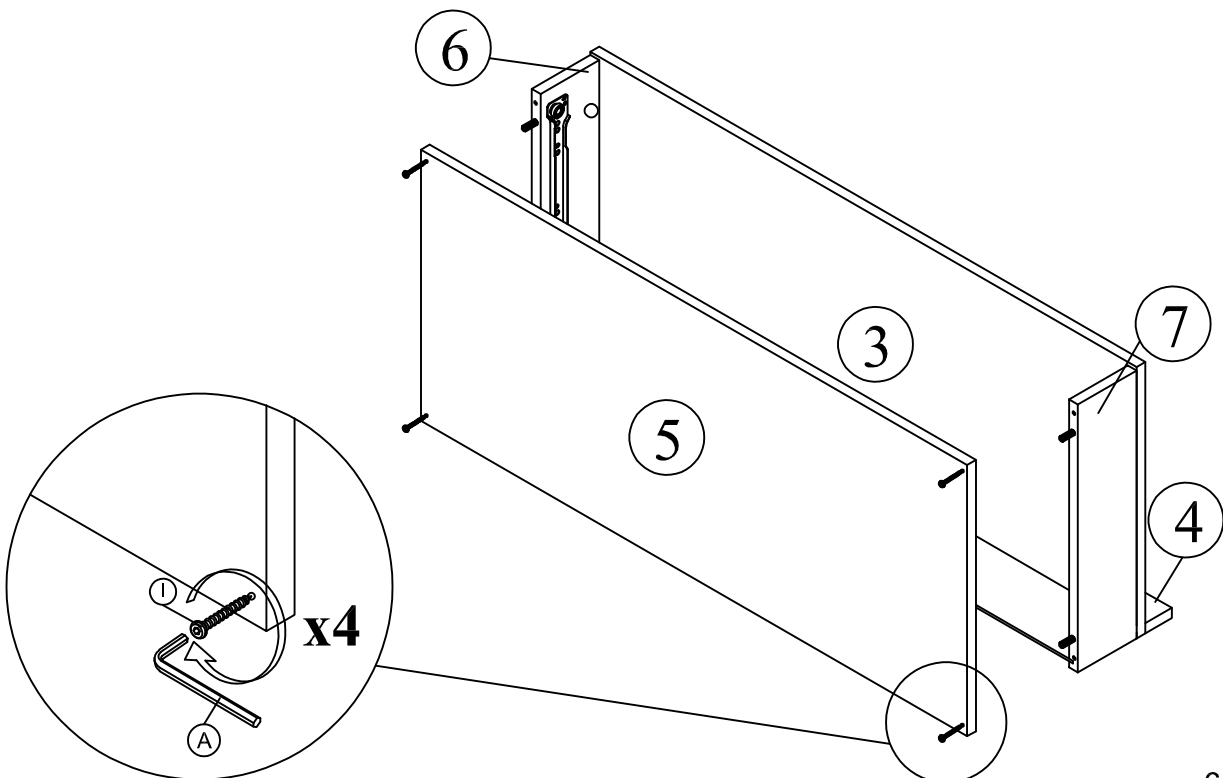
ISO 9001: 2015
Reg. No. 000435-1-MY-1-QMS

LUOMA.COM

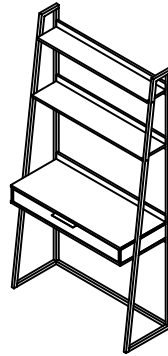
9



10



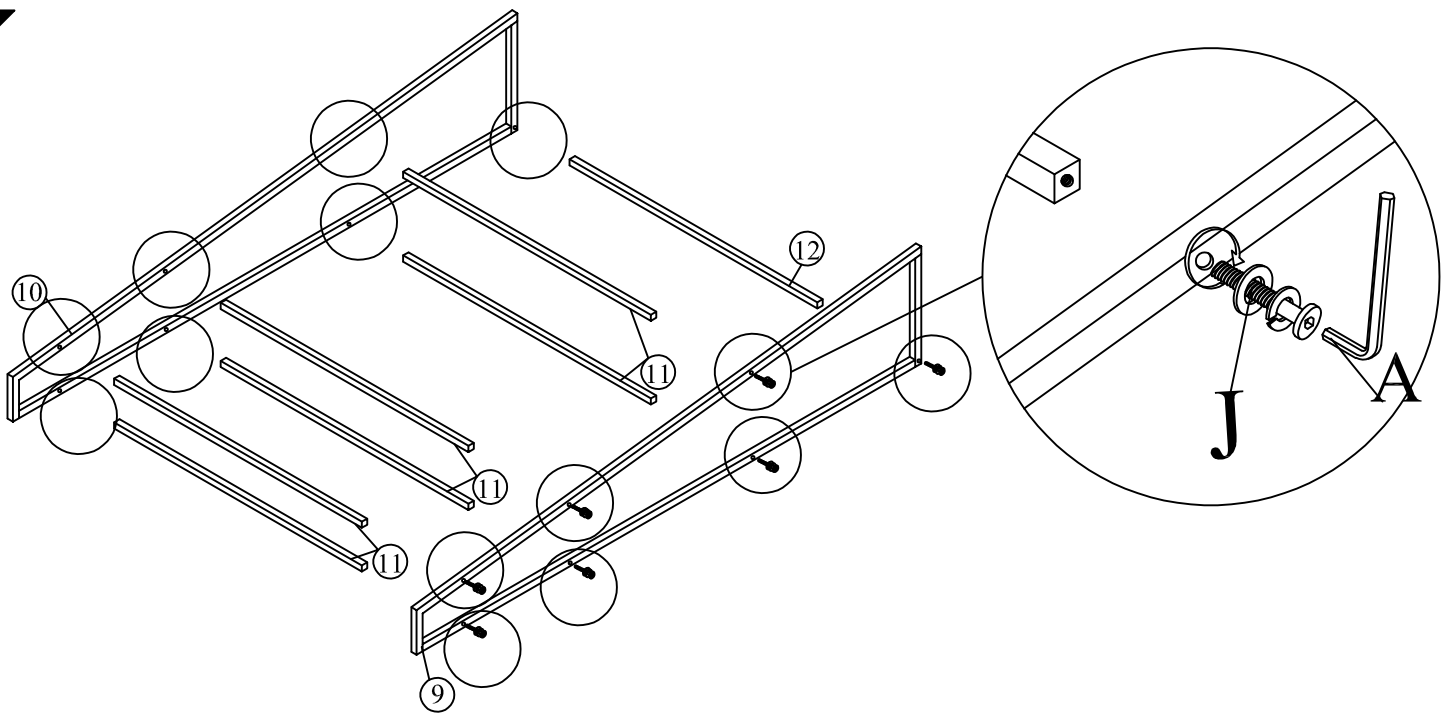
CODING
-123035



ISO 9001: 2015
Reg. No. 000435-1-MY-1-QMS

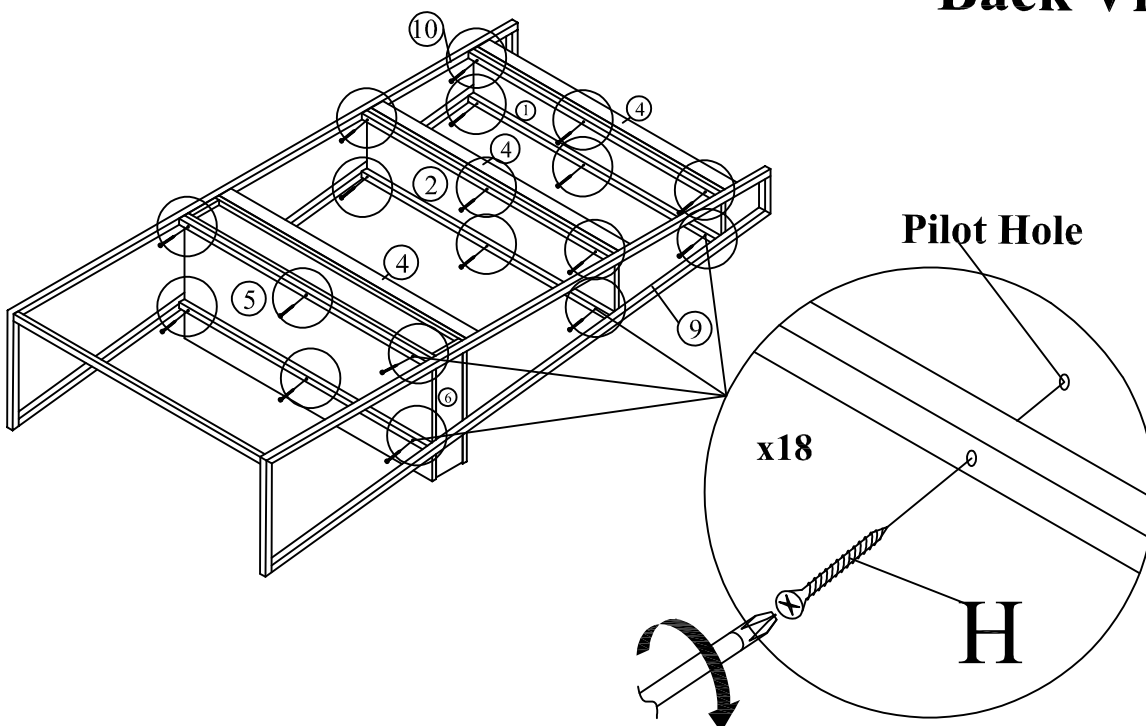
LUOMA.COM

11

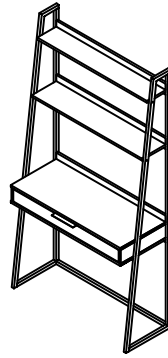


12

Back View



CODING
-123035

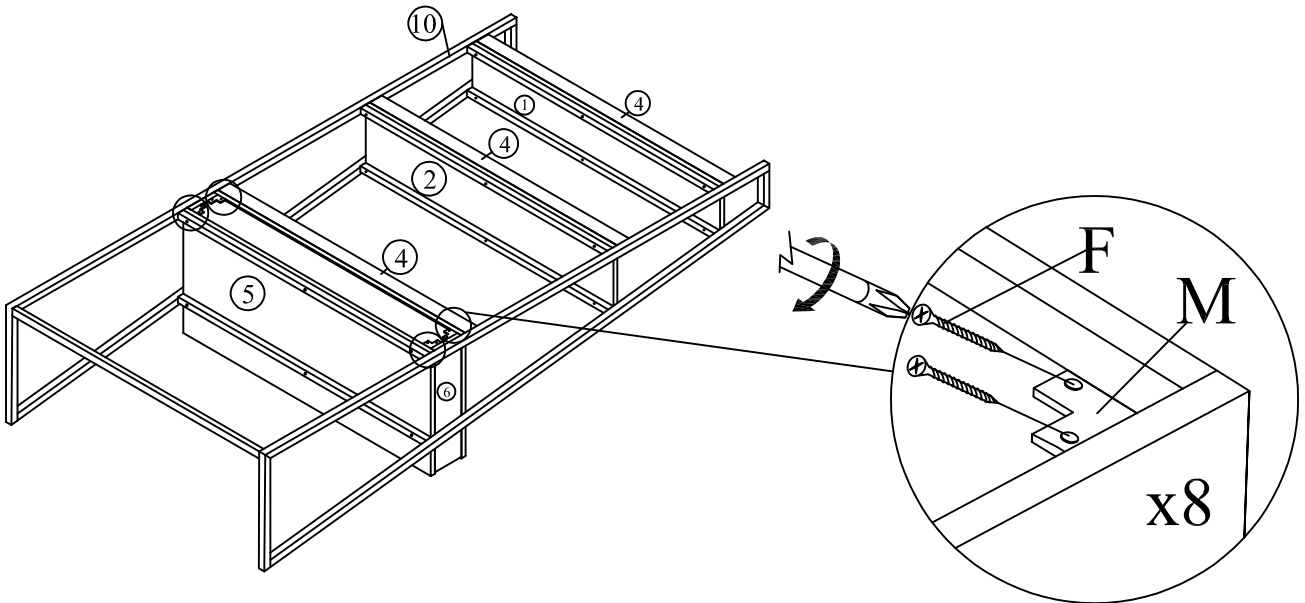


ISO 9001: 2015
Reg. No. 000435-1-MY-1-QMS

LUOMA.COM

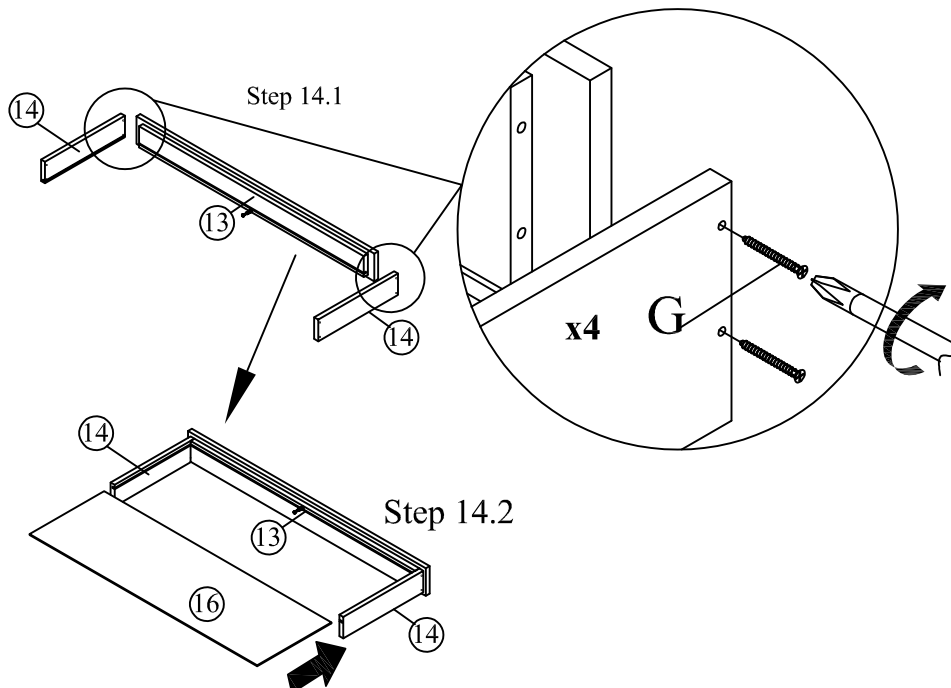
13

Back View

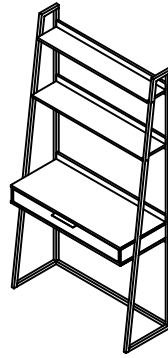


14

Back View



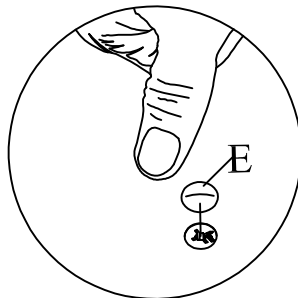
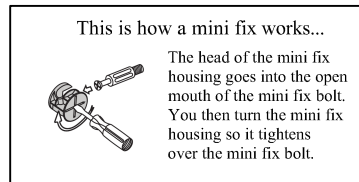
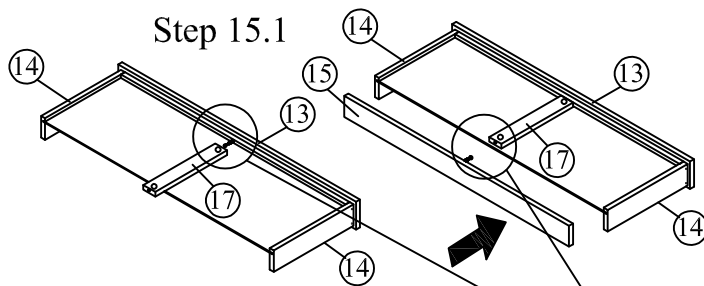
CODING
-123035



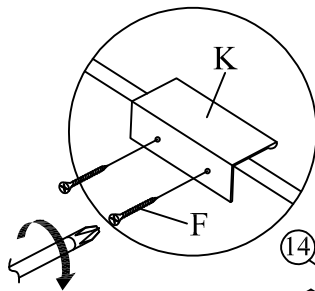
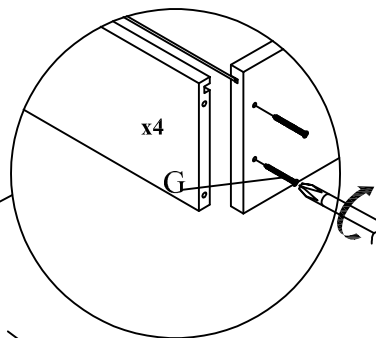
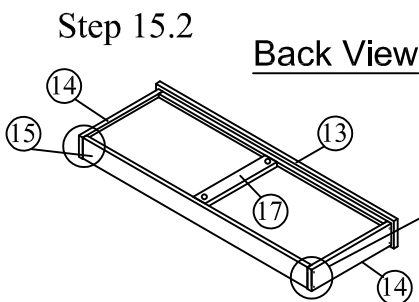
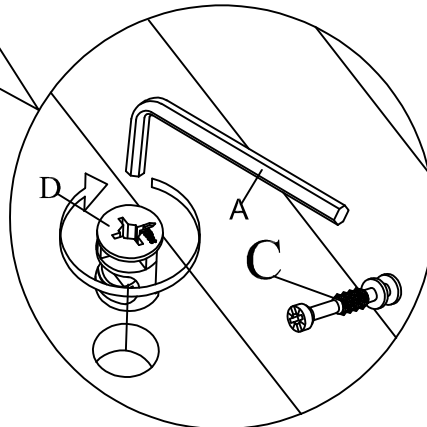
ISO 9001: 2015
Reg. No. 000435-1-MY-1-QMS

LUOMA.COM

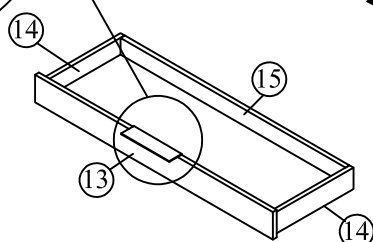
15



**Attach Minifix Cap as shown.*

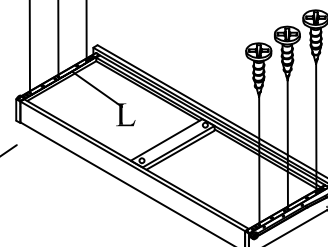


Step 15.4

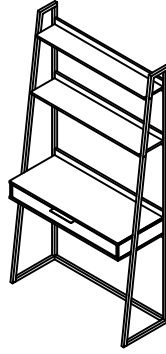


F x6

Step 15.3



CODING
-123035



ISO 9001: 2015
Reg. No. 000435-1-MY-1-QMS

LUOMA.COM

16

