

## CODING

- 123019
- 123020


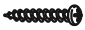



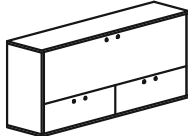
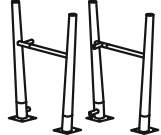
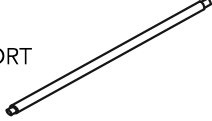
ISO 9001:2015  
Reg. No. 000435-1-MY-1-QMS

nesthouz.com

Read the instruction carefully. Remove all the wrapping material. Staples and straps from the carton. Refer to the hardware and furniture part list for guidance. Be sure that you have all the parts before you start assembling. Place all the wooden furniture part on a clean and flat soft surface, such as carpet or rubbermat to prevent from scratches

## CAUTION KEEP ALL THE PARTS OUT REACH OF CHILDREN

ITEM	HARDWARE LIST	QTY	SPARE QTY
Ⓐ	JCBC SCREW(Blk) M6 X 16mm 	18	
Ⓑ	PAN HEAD WOOD SCREW M4 X 16mm 	6	
Ⓒ	M4 ALLEN KEY (BALL SHAPE) LONG 	1	

ITEM	PART LIST	SPARE QTY
①	CABINET 	1
②	LEG (L & R) 	2
③	WOODEN SUPPORT 	1

CODING

- 123019

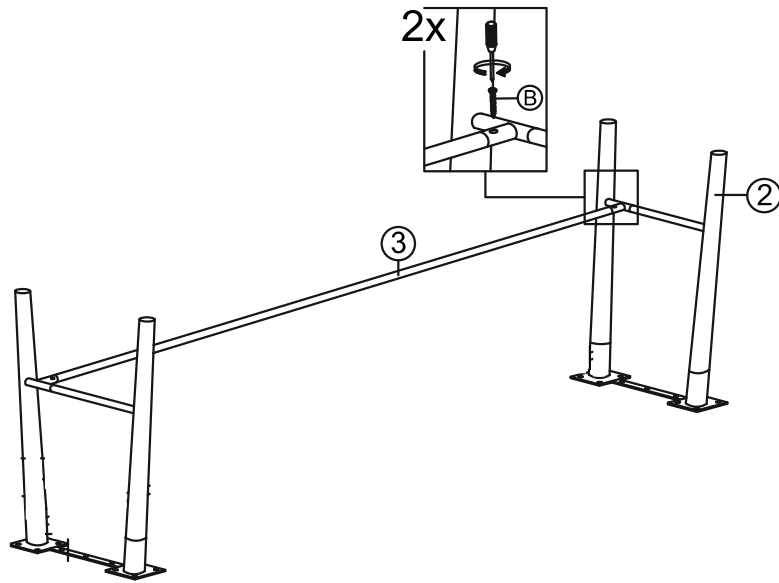
- 123020



ISO 9001:2015  
Reg. No. 000435-1-MY-1-QMS

nesthouz.com

1



2

