



CODING

- 123015
- 123013
- 123005

ISO 9001:2015
Reg. No. 000435-1-MY-1-QMS

LUOMA.COM

Read the instruction carefully. Remove all the wrapping material, staples and straps from the carton. Refer to the hardware and furniture part list for guidance. Be sure that you have all the parts before you start assembling. Place all the wooden furniture part on a clean and flat soft surface, such as carpet or rubbermat to prevent from scratches.

CAUTION

KEEP ALL THE PARTS OUT OF REACH OF CHILDREN.

ITEM	PHOTO	HARDWARE NAME	QTY
(A)		Assembly screw	4
(B)		Cam	4
(C)		Bolt (M6x60)	7
(D)		Nut (M6x9.5x12mm)	4
(E)		Allen key 4mm	1
(F)		Screw (M3.5x50)	2
(G)		Screw (M3.5x16)	1
(H)		Support pin	4
(I)		Flat washer M6	7
(J)		Plastic Hook	2
(K)		Cable tie	1
(L)		Flat washer (Ø5xØ9)	2

ITEM	PART LIST	QTY
(1)	Cabinet body	1
(2)	Leg(right)	1
(3)	Leg(left)	1
(4)	Back rail	1
(5)	Support rail	1
(6)	Shelf	1

CODING

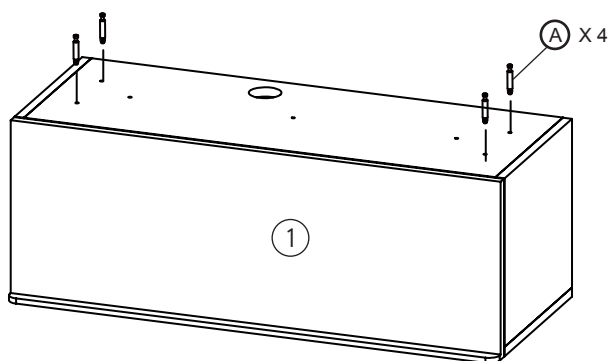
- 123015
- 123013
- 123005



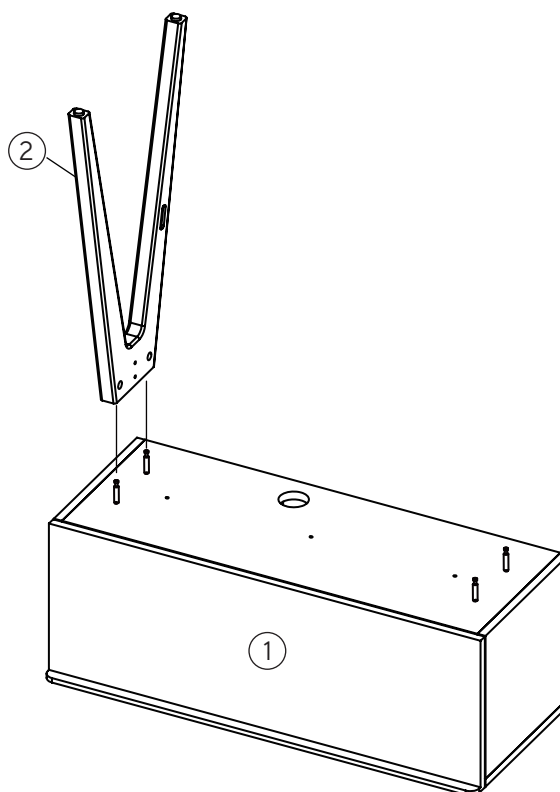
ISO 9001:2015
Reg. No. 000435-1-MY-1-QMS

LUOMO.COM

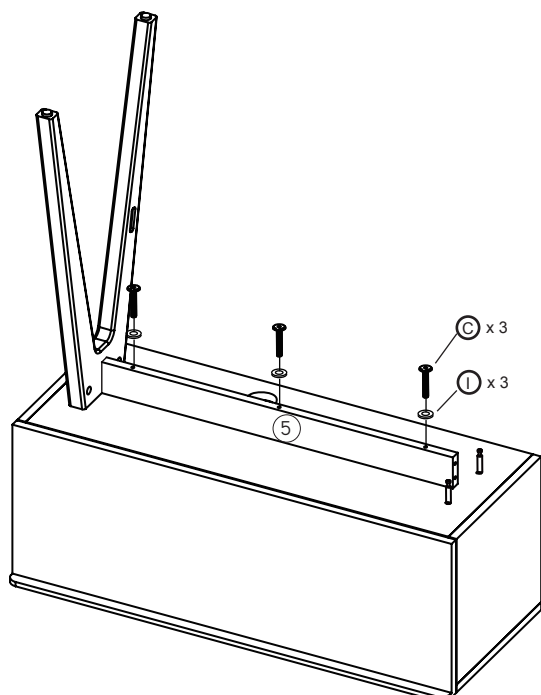
1



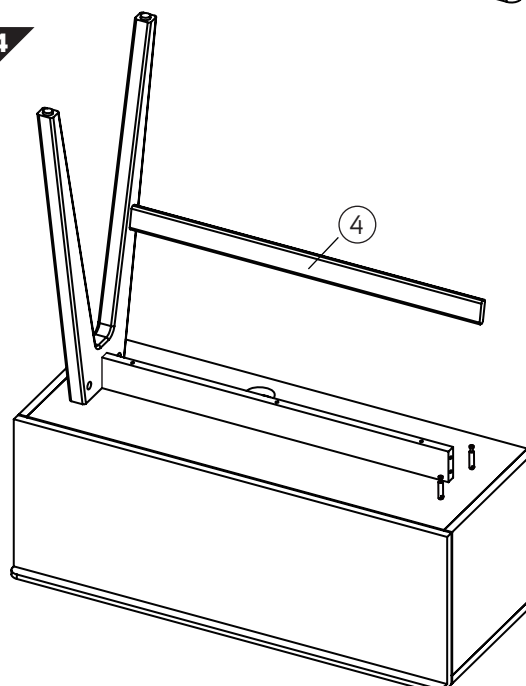
2



3



4



CODING

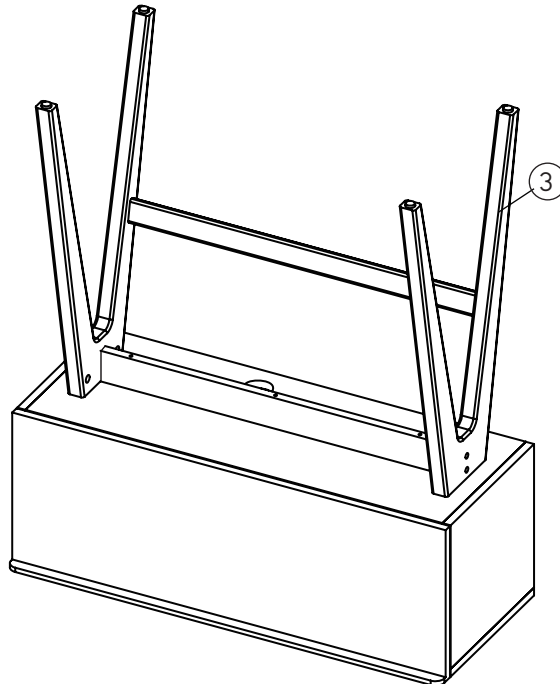
- 123015
- 123013
- 123005



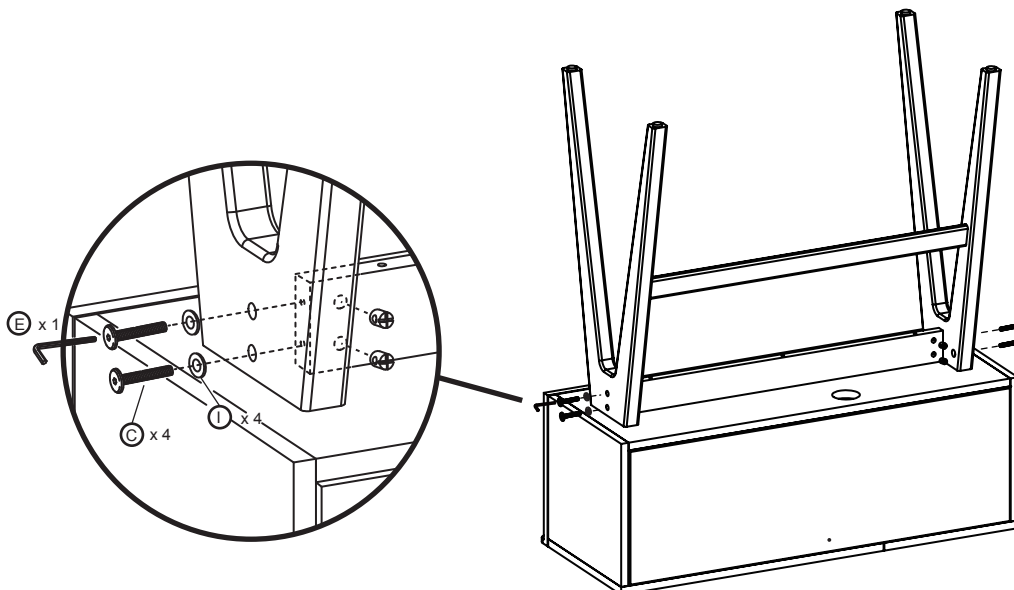
ISO 9001:2015
Reg. No. 000433-1-MFY-1-QMS

LUOMA.COM

5



6



CODING

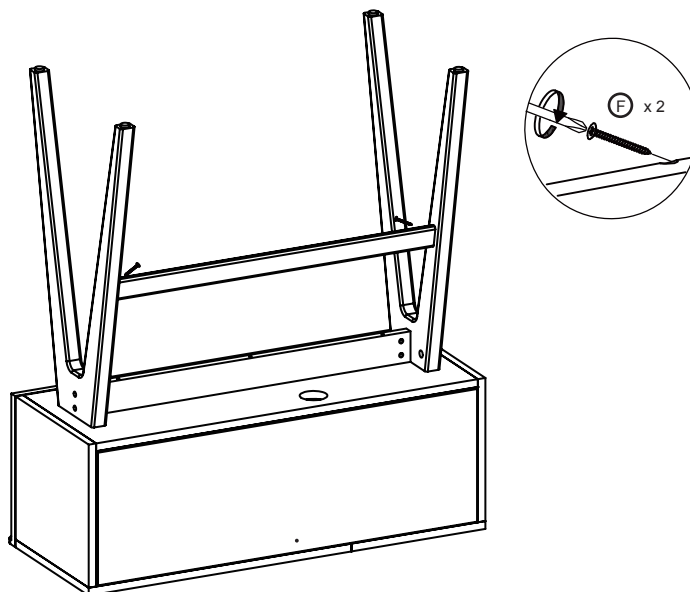
- 123015
- 123013
- 123005



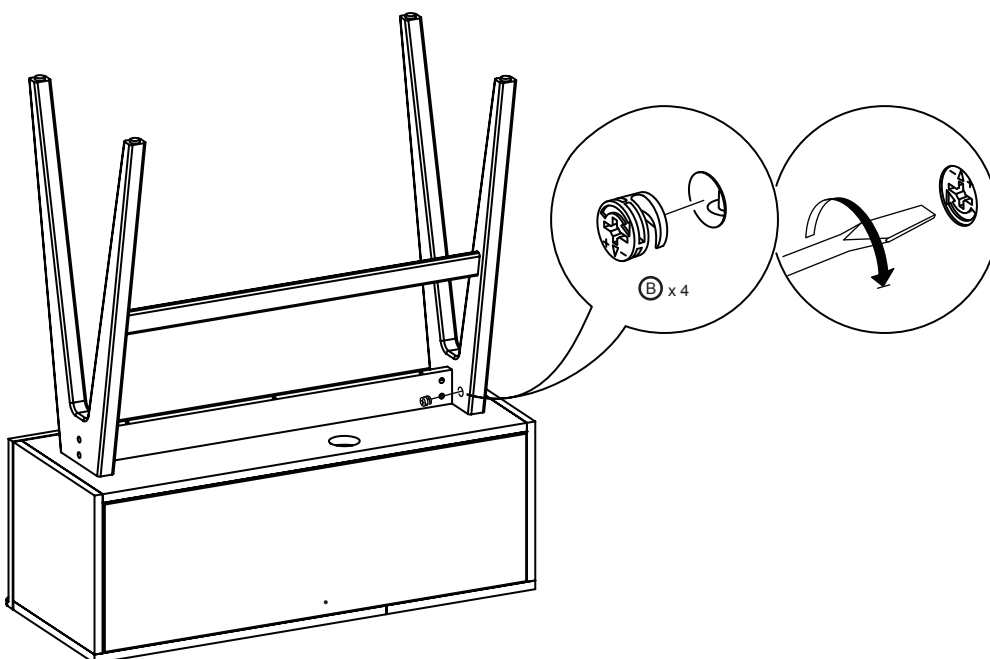
ISO 9001:2015
Reg. No. 000435-1-MY-1-QMS

LUOMA.COM

7



8



CODING

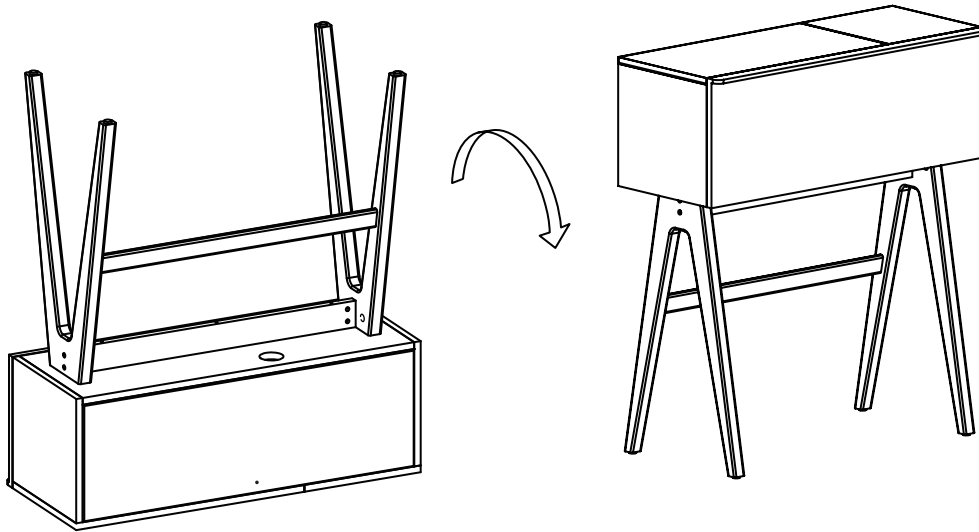
- 123015
- 123013
- 123005



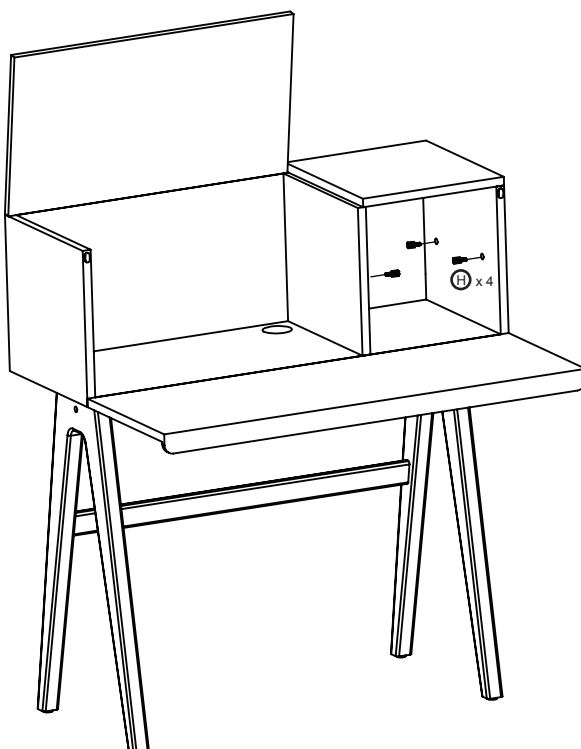
ISO 9001:2015
Reg. No. 000435-1-MY-1-QMS

LUOMA.COM

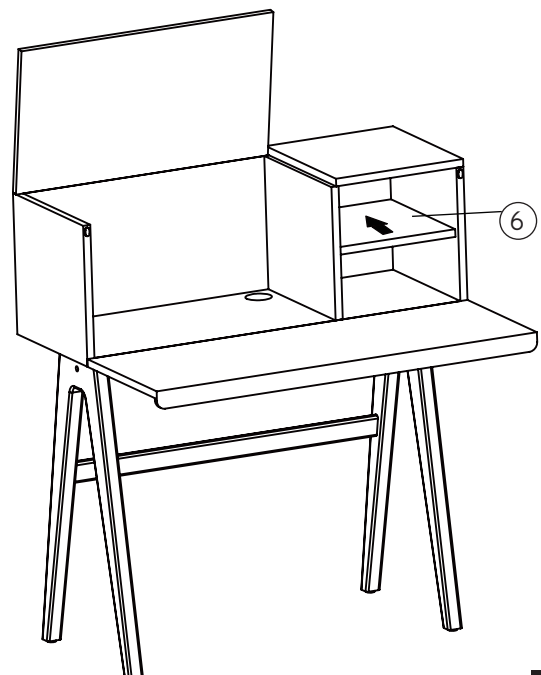
9



10



11



CODING

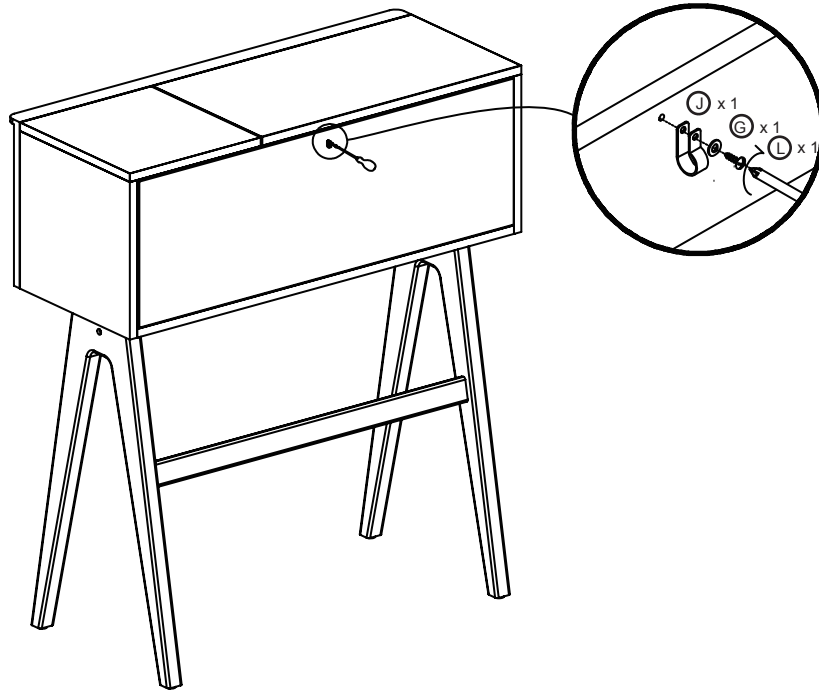
- 123015
- 123013
- 123005



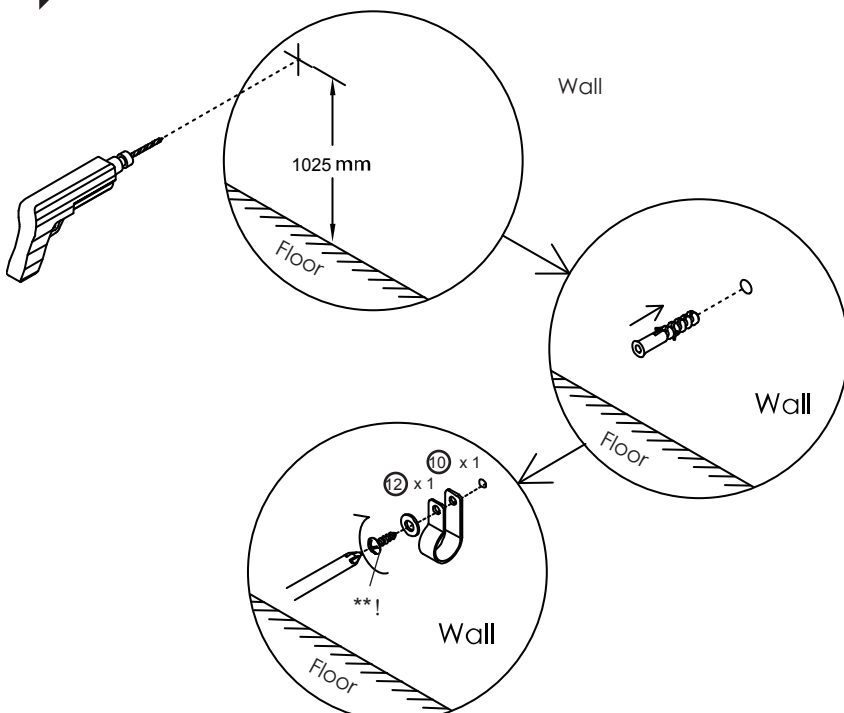
ISO 9001:2015
Reg. No. 000435-1-MY-1-QMS

LUOMA.COM

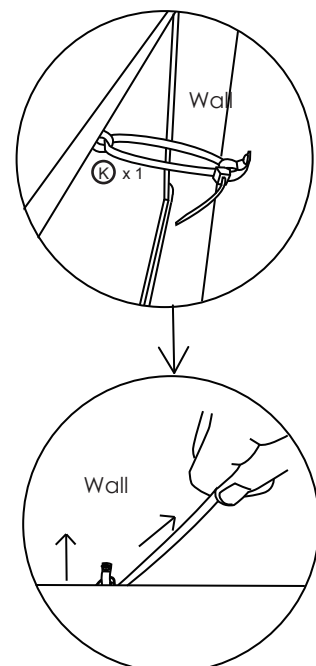
12



13



14



**! Fitting not enclosed