

## CODING

- 122001
- 122002
- 122005
- 122006




ISO 9001:2015  
Reg. No. 000435-1-MY-1-QMS

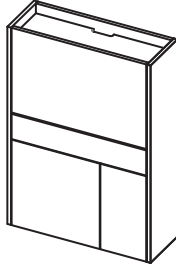



**LUOMA.COM**

Read the instruction carefully. Remove all the wrapping material, staples and straps from the carton. Refer to the hardware and furniture part list for guidance. Be sure that you have all the parts before you start assembling. Place all the wooden furniture part on a clean and flat soft surface, such as carpet or rubbermat to prevent from scratches.

## CAUTION

**KEEP ALL THE PARTS OUT OF REACH OF CHILDREN.**

| ITEM | PHOTO   | HARDWARE NAME | QTY |
|------|---|---------------|-----|
| (A)  |  | Flat washer   | 2   |

| ITEM | PHOTO   | PARTS NAME      | QTY |
|------|---|-----------------|-----|
| (1)  |   | cabinet body    | 1   |
| (2)  |   | Shelf           | 1   |
| (3)  |  | leg             | 2   |
| (4)  |  | connected block | 2   |

o

## CODING

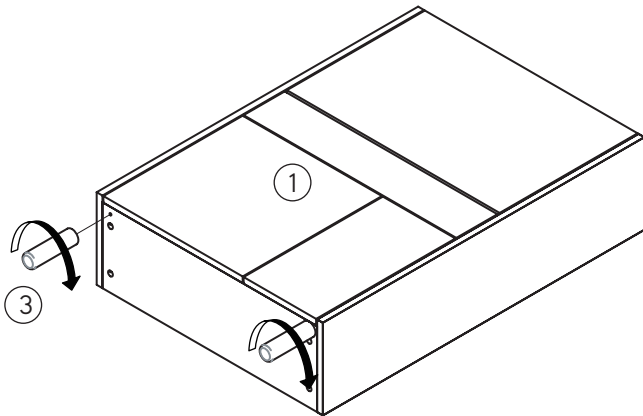
- 122001
- 122002
- 122005
- 122006



ISO 9001:2015  
Reg. No. 000435-1-MY-1-QMS

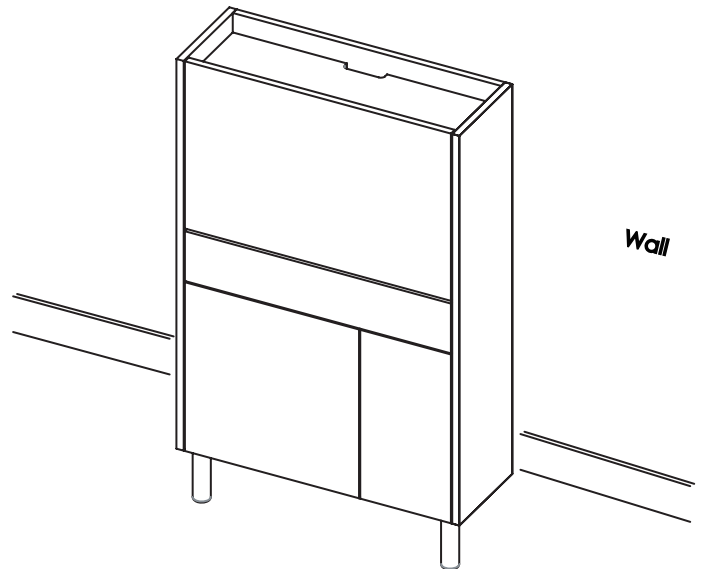
LUOMA.COM

1



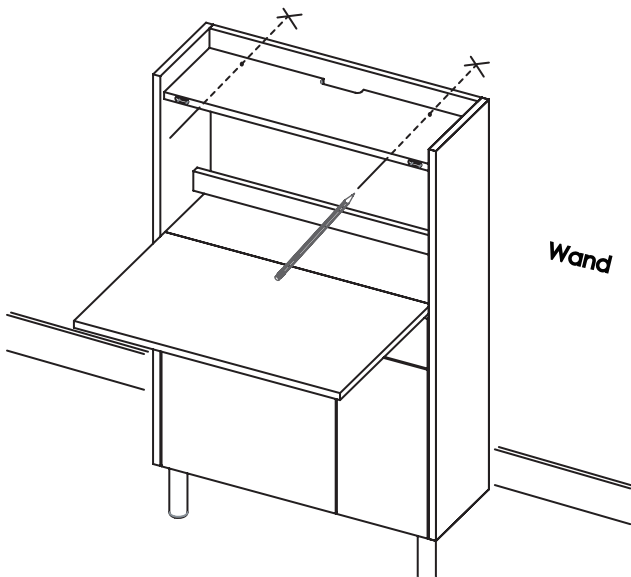
2

Keep 2 persons hold the cabinet vertically before fix the cabinet on the wall. DO NOT drag the cabinet on floor.



3

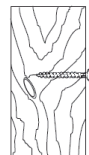
Keep 2 persons hold the cabinet vertically before fix the cabinet on the wall. DO NOT drag the cabinet on floor.



4

### Wall fixing - if in doubt seek professional advice

Please ensure to use the correct size rawl plug when installing the plastic loop bracket to a wall. If your wall cavity construction or wood you may need to seek appropriate wall fixings.



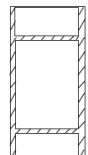
#### Wood

If fixing to wood make sure that it isn't chipboard as screws can easily pull away from the core structure



#### Brick or Masonry

Use an appropriate wall plug provided you are sure your wall is sound



#### Cavity wall

Special toggle wall plugs are needed. Seek expert advice

## CODING

- 122001
- 122002
- 122005
- 122006

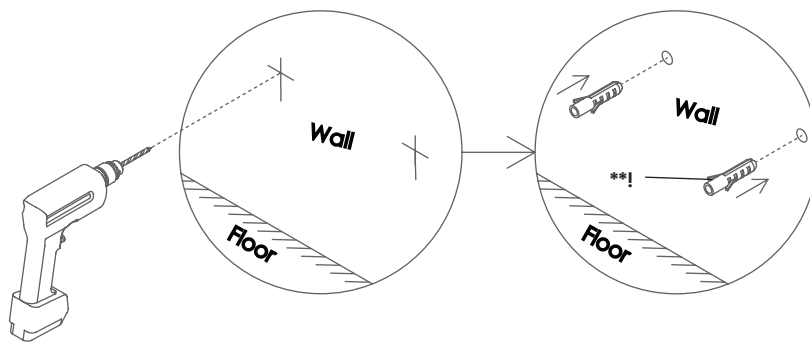


ISO 9001:2015  
Reg. No. 000435-1-MY-1-QMS

LUOMA.COM

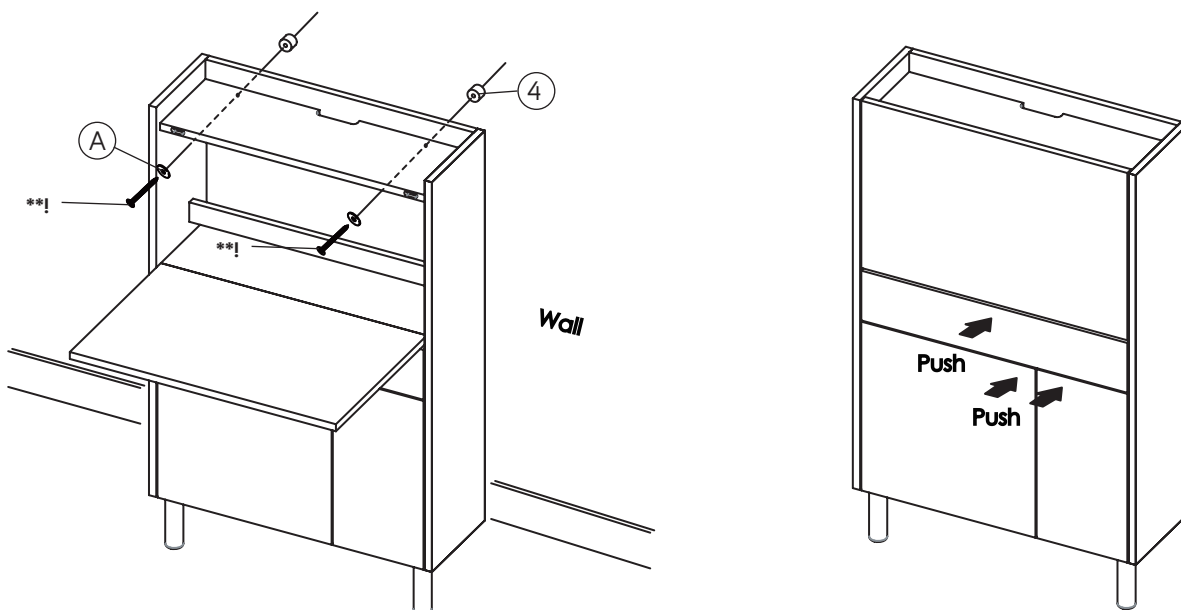
5

\*\*! Fitting not enclosed!



6

Keep 2 persons hold the cabinet vertically before fix the cabinet on the wall. DO NOT drag the cabinet on floor.  
\*\*! Fitting not enclosed!



## CODING

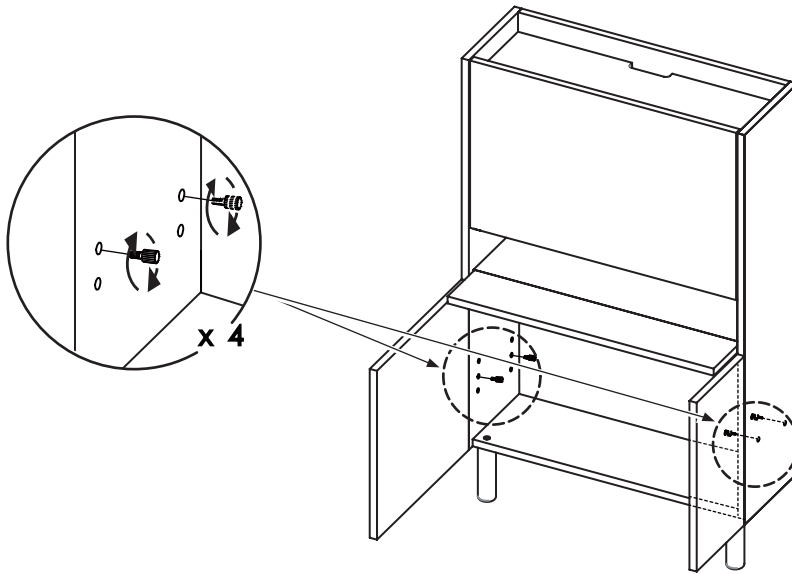
- 122001
- 122002
- 122005
- 122006



ISO 9001:2015  
Reg. No. 000435-1-MY-1-QMS

LUOMA.COM

7



8

